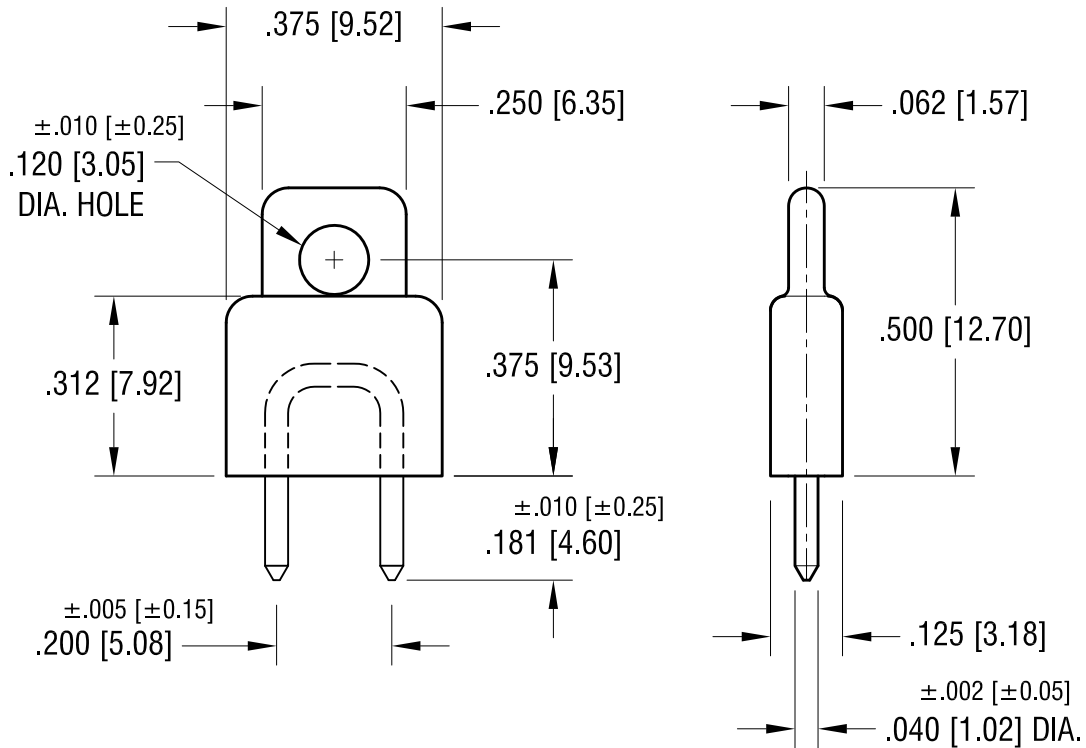
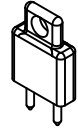


THIS DOCUMENT IS THE PROPERTY OF  
KEYSTONE ELECTRONICS CORP. AND  
SHALL NOT BE REPRODUCED, DISTRIBUTED  
OR USED AS A BASIS FOR MANUFACTURE  
WITHOUT PRIOR WRITTEN PERMISSION  
FROM KEYSTONE ELECTRONICS CORP.

ACTUAL SIZE



NOTES:

1. BODY:  
MAT'L - POLYPROPYLENE

PIN:  
MAT'L -BRASS  
FINISH - GOLD FLASH

PART NO.	COLOR
1460R	RED
1460B	BLACK
1460L	BLUE

DATE	DESCRIPTION	REV.
12.05.13	CHANGE AS PER ECN 13-107	B
11.28.07	CHANGE AS PER ECN 07-083	A

<b>KEYSTONE ELECTRONICS CORP.</b>			
www.keyelco.com • ASTORIA, N.Y. 11105-2017 • Tel (718) 956-8900			
PART NAME			
INSULATED SHORTING PIN			
MATERIAL			
AS NOTED			
FINISH		DRN BY	DATE
AS NOTED		BOONE	3.1.07
		APP'D	SCALE
		LN	3X
TOLERANCES	INCH [MM]	CODE	DWG NO.
DECIMAL	± .015 [± 0.38]	C	1460-
ANGULAR	± 1°		
UNLESS OTHERWISE SPECIFIED			