

MATERIALS AND FINISHES

BODY ZINC ALLOY  
PLATED NICKEL

CENTER CONTACT PHOSPHOR BRONZE  
PLATED GOLD

INSULATOR POLYPROPYLENE (94-V0)

MOUNTING POST PHOSPHOR BRONZE  
PLATED TIN

SOLDER TAIL COPPER OVER STEEL  
PLATED TIN

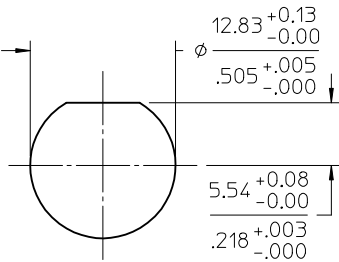
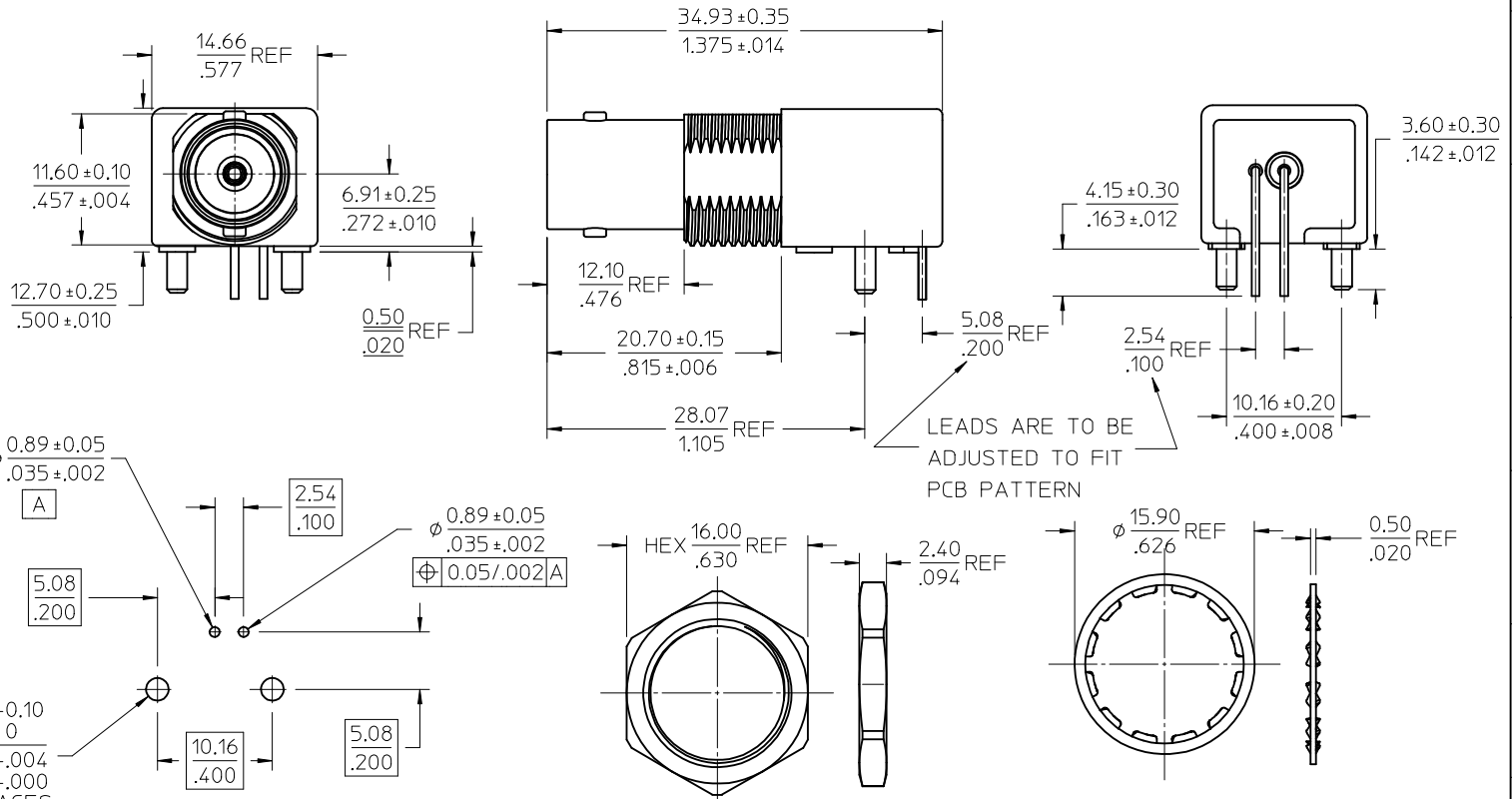
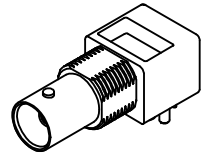
JAM NUT BRASS  
PLATED NICKEL

LOCK WASHER PHOSPHOR BRONZE  
PLATED NICKEL

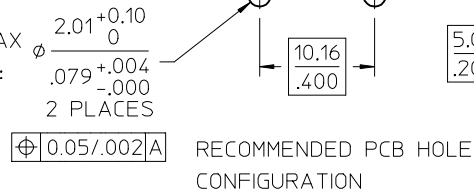
BNC JACK  
75 OHM  
INTERFACE

1/2-28 UNEF-2A

TOP VIEW



RECOMMENDED MOUNTING HOLE  
PANEL THICKNESS: 5.50 (.216) MAX  
RECOMMENED MOUNTING TORQUE:  
1.36 N-m (12 INCH LBS) MAX



RECOMMENDED PCB HOLE  
CONFIGURATION

PS-89675-1030	PRODUCT SPECIFICATION
SPECIFICATION	DESCRIPTION

73171-4340	QTY (1) OF 73101-0400 IN SINGLE BAG WITH LABEL
73101-0401	WITH JAM NUT AND WASHER; PACKAGING BY TRAY
73101-0400	WITHOUT JAM NUT AND WASHER; PACKAGING BY TRAY
PART NO.	DESCRIPTION

CHG: PCB LAYOUT PER RF15-E391 EC NO: URF2016-0379 DRWN: CME102 2015/11/12 CHKD: APPR: YCHENG 2015/11/25	QUALITY SYMBOLS ▽=0 ▽=0 ▽=0	A5	REV	DESCRIPTION	GENERAL TOLERANCES (UNLESS SPECIFIED)	DIMENSION STYLE	SCALE	DESIGN UNITS	THIRD ANGLE PROJECTION
					mm	INCH	MM/IN	METRIC	⊙
DRAFT WHERE APPLICABLE MUST REMAIN WITHIN DIMENSIONS					4 PLACES ±	---	---	TITLE BNC JACK,R/A PCB,75 OHMS DIE CAST, RECEPTACLE BNC-J/RA/PCB <b>molex</b>	
					3 PLACES ±	---	---		
SIZE C					2 PLACES ±	---	---	DOCUMENT NO. SD-73101-040	
					1 PLACE ±	---	---		
THIS DRAWING CONTAINS INFORMATION THAT IS PROPRIETARY TO MOLEX INCORPORATED AND SHOULD NOT BE USED WITHOUT WRITTEN PERMISSION					0 PLACE ±	---	---	SHEET NO. 1 OF 1	
					ANGULAR ±	---	---		