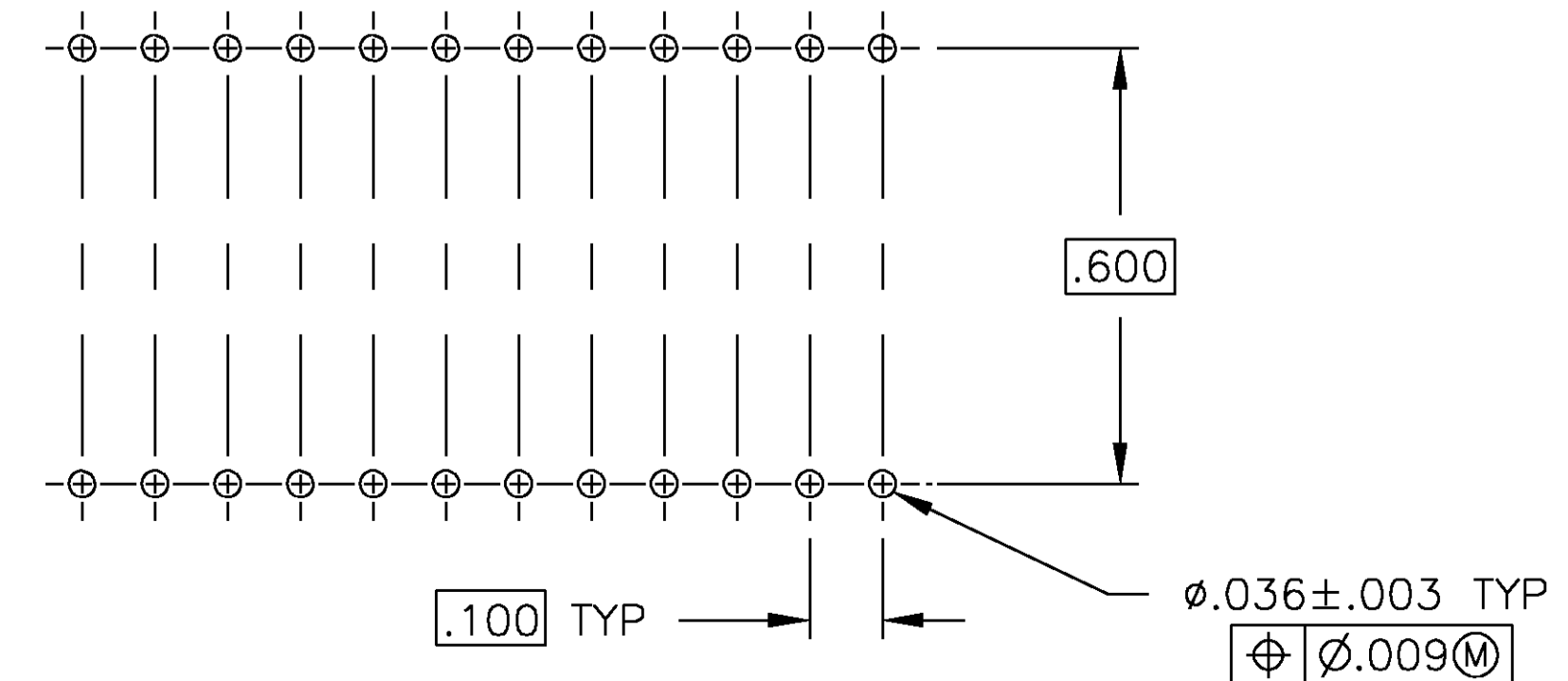
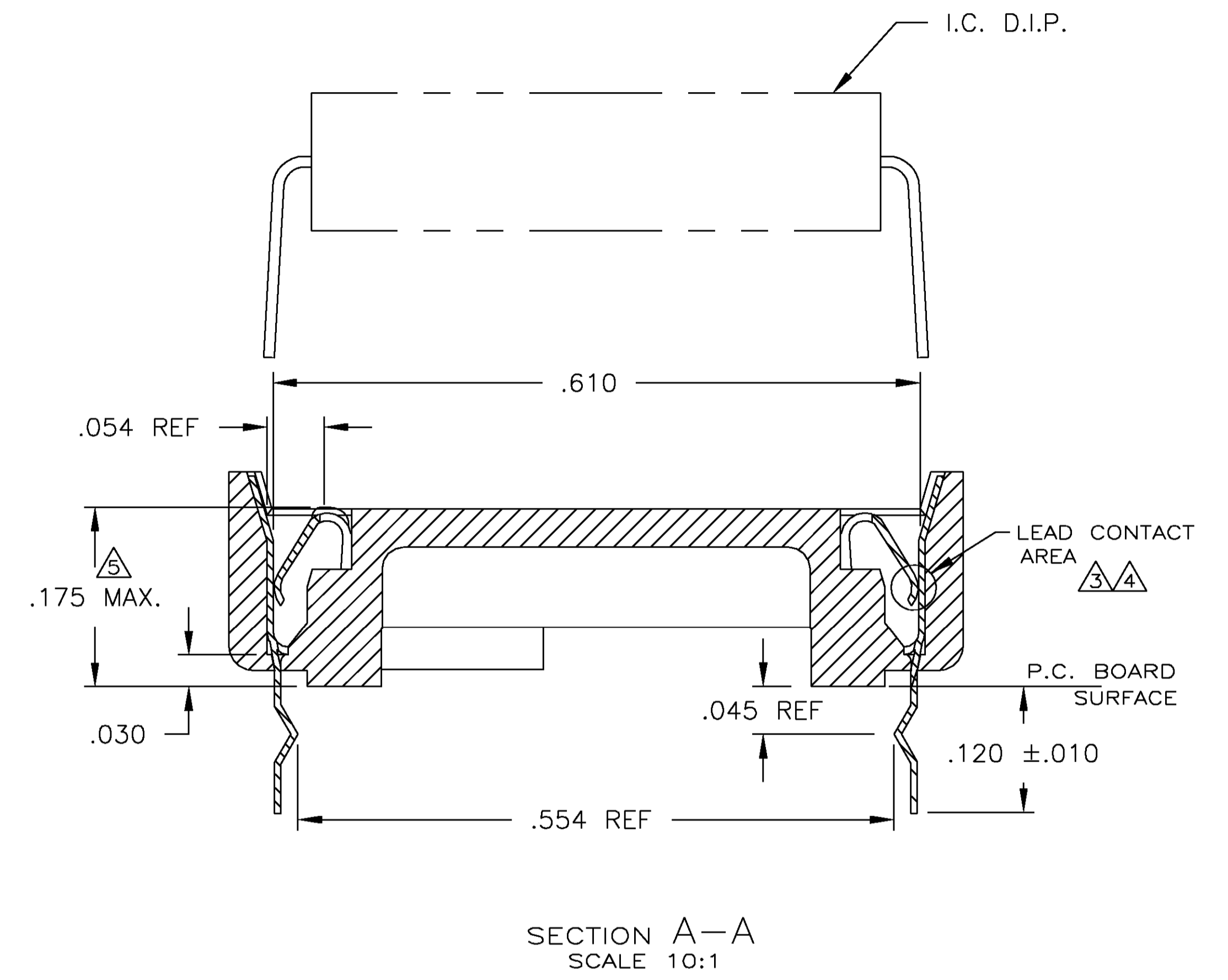
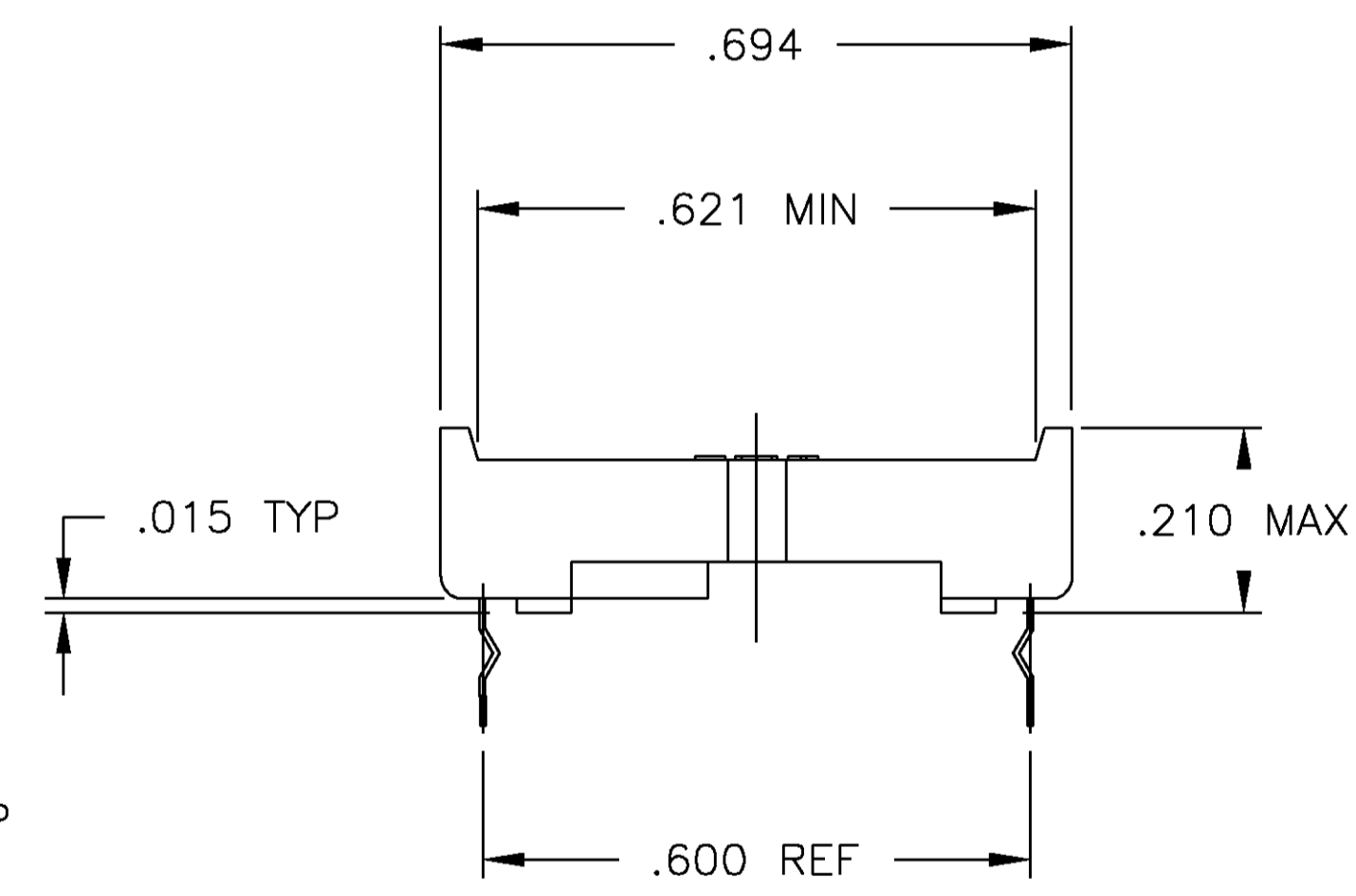
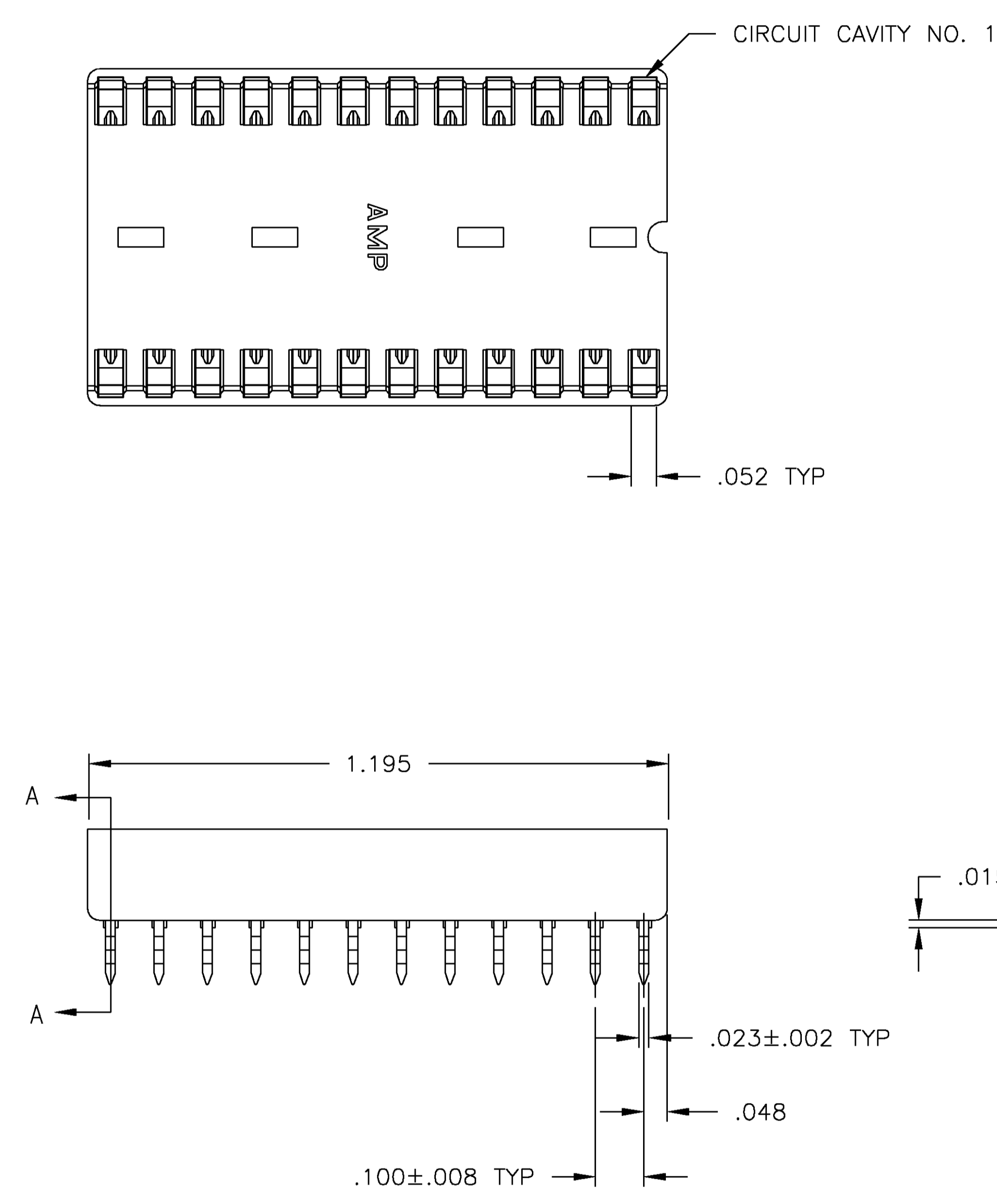


LOC		DIST		REVISIONS			
FT		64		REV	DESCRIPTION	DATE	DRW
				R	REV PER OG3C-0162-99	17NOV00	RB HW

1. RECEPTACLE ACCEPTS A .008-.014 THICK I.C. LEAD.
2. TUBE LOADED.
3. TWO .000030 MIN THK. GOLD STRIPES IN CONTACT AREA WITH TIN-LEAD (93/7) ON CONTACT LEGS, BALANCE OF CONTACT NICKEL PLATED.
4. TWO .000015 MIN THK. GOLD STRIPES IN CONTACT AREA WITH TIN-LEAD (93/7) ON CONTACT LEGS, BALANCE OF CONTACT NICKEL PLATED.
5. MAXIMUM DIMENSION FOR I.C. SEATING PLANE.



RECOMMENDED MOUNTING HOLE PATTERN  
SCALE 4:1

OBSOLETE	3	PHOS.BRZ. .006 THK	GLASS-FILLED THERMOPLASTIC, 94V-O, BLACK	2-641266-4
OBSOLETE	TINNED	PHOS.BRZ. .006 THK	GLASS-FILLED THERMOPLASTIC, 94V-O, BLACK	2-641266-3
OBSOLETE	3	BE.CU. .006 THK	GLASS-FILLED THERMOPLASTIC, 94V-O, BLACK	2-641266-2
	TINNED	BE.CU. .006 THK	GLASS-FILLED THERMOPLASTIC, 94V-O, BLACK	2-641266-1
CONTACT FINISH		CONTACT MAT'L	HOUSING MATERIAL	PART NO.
THIS DRAWING IS A CONTROLLED DOCUMENT.				
DIMENSIONS: INCHES		TOLERANCES UNLESS OTHERWISE SPECIFIED:		DRW R BROWN 09JAN01
0 PLC ± -		1 PLC ± -		25AUG00
1 PLC ± -		2 PLC ± -		DR H WYNKOOP
2 PLC ± -		3 PLC ± .005		APVD H WYNKOOP 25AUG00
3 PLC ± -		4 PLC ± -		NAME
4 PLC ± -		ANGLES ± -		SOCKET ASSY, DIP, RET LEG, 24 POS, DIPLOMATE™ DL
MATERIAL SEE TABLE		FINISH SEE TABLE		PRODUCT SPEC 108-1066
				APPLICATION SPEC 114-1049
				SIZE A1
				CAGE CODE 00779
				DRAWING NO 641266
				RESTRICTED TO
				SCALE 5:1
				SHEET 1 OF 1
				REV R