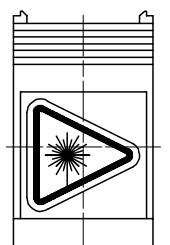
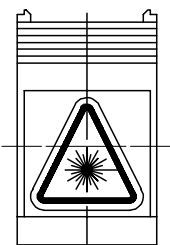


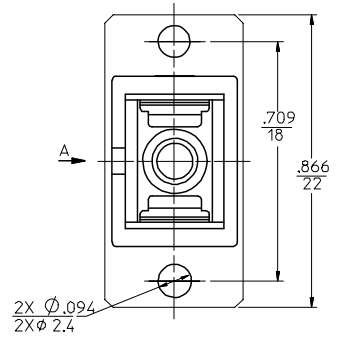
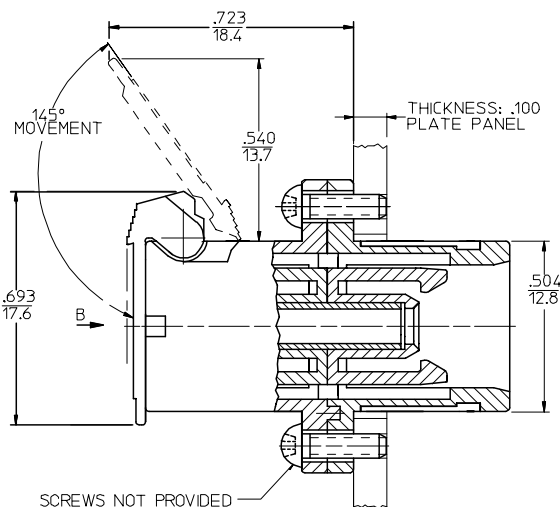
RECOMMENDED MOUNTING HOLE



VIEW B
VERSION 1
(SEE NOTE 2)



VIEW B
VERSION 2
(SEE NOTE 2)



- NOTES:
 1. ALL DIMENSIONS ARE GIVEN IN $\frac{\text{INCHES}}{\text{mm}}$.
 2. LABEL MUST BE INSTALLED AND ORIENTED BY CUSTOMER.

ENTER DESCRIPTION FC NO: MF2006-0396 DRWN:LKATARZIE/2005/12/21 CHKD: 2005/12/21 APPR:IGUMIN 2005/12/21 REVISIONS A	QUALITY SYMBOLS	GENERAL TOLERANCES (UNLESS SPECIFIED)		SCALE 1:1	DESIGN UNITS INCH	THIRD ANGLE PROJECTION	REVISE ON CAD ONLY
	-0 -0	mm	INCH	DIMENSION STYLE IN/MM		TITLE	SC ADAPTER STANDARD FOOTPRINT WITH SHUTTER W/O MOUNTING PLATE MOLEX INCORPORATED
		4 PLACES ± --- ± ---	3 PLACES ± --- ± ---	DRAWN BY LKATARZIE	DATE 11.22.2005		
		2 PLACES ± --- ± ---	1 PLACE ± --- ± ---	CHECKED BY	DATE		
ANGULAR ±1/2°		APPROVED BY IGUMIN	DATE 11.22.2005	MATERIAL NO. 1061613600	DOCUMENT NO. SD-106161-3600	SHEET NO. 1 OF 1	
DRAFT WHERE APPLICABLE MUST REMAIN WITHIN DIMENSIONS		THIS DRAWING CONTAINS INFORMATION THAT IS PROPRIETARY TO MOLEX INCORPORATED AND SHOULD NOT BE USED WITHOUT WRITTEN PERMISSION					