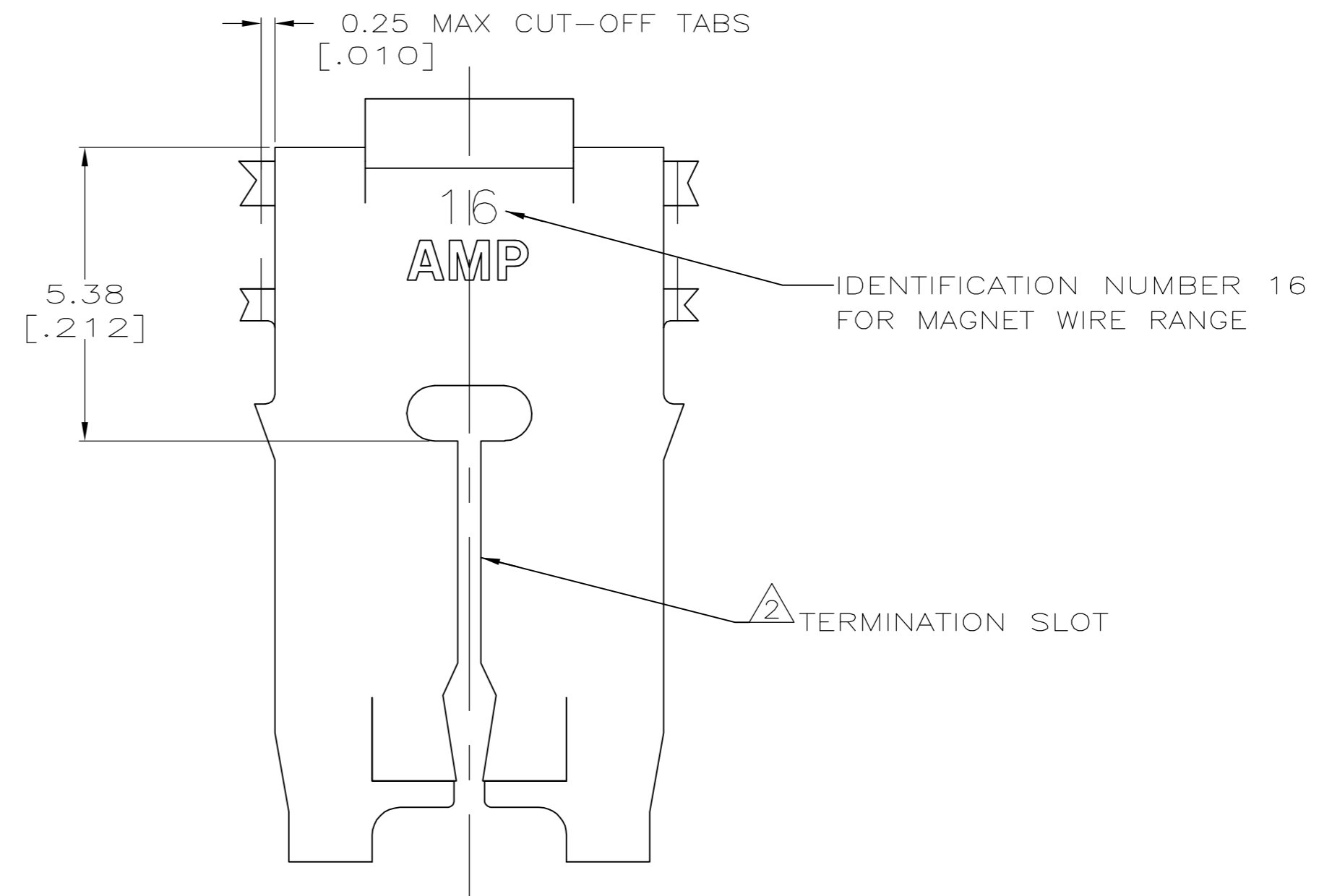
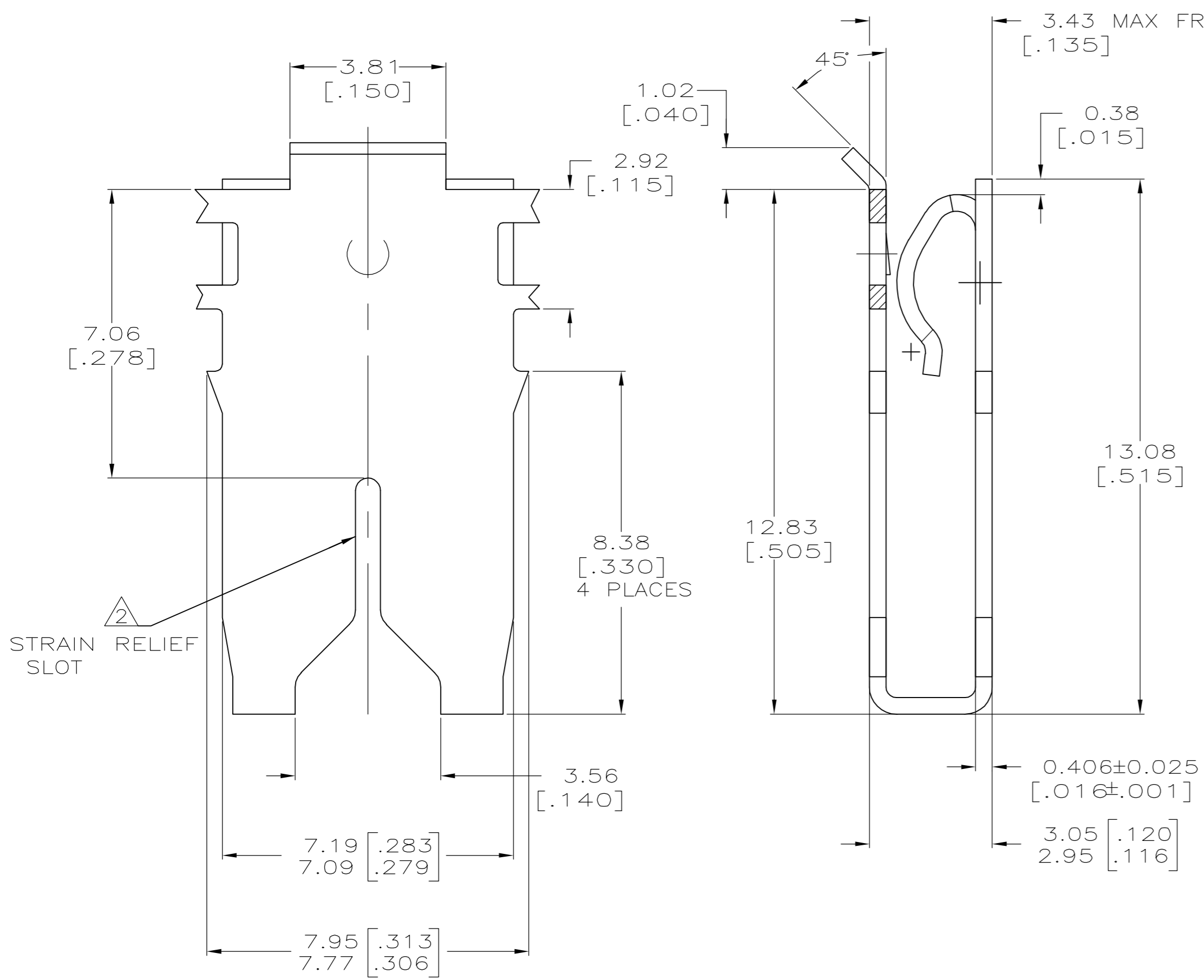
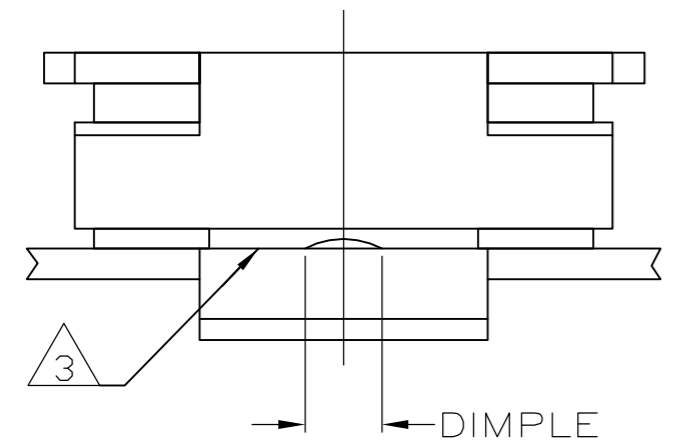


THIS DRAWING IS UNPUBLISHED. RELEASED FOR PUBLICATION
 © COPYRIGHT BY TYCO ELECTRONICS CORPORATION. ALL RIGHTS RESERVED.

LOC		DIST		REVISIONS			
AF	50	P	LTR	DESCRIPTION	DATE	DWN	APVD
		B1		CREATED PER ECR-07-002951	12FEB07	MF	KR

- 1 CONTINUOUS STRIP ON REELS WITH TERMINALS LOCATED ON 10.41±0.08 [.410±.003] CENTERS.
- 2 SLOT ACCEPTS 0.57-0.68mm [#23-#21.5] AWG COPPER MAGNET WIRE. 2 WIRES OF THE SAME SIZE MAX PER SLOT.
- 3 CONTACT LEAF ACCEPTS 0.81 [.032] THICK POKE-IN TAB, (REFERENCE TAB DRAWING 1217324-1).
- 4 0.002032 [.000080] MIN TIN PLATE OVER 0.00127 [.000050] MIN NICKEL UNDERPLATE.



1217358-1
PART NUMBER

THIS DRAWING IS A CONTROLLED DOCUMENT.		DWN MICHAEL S. FEHER 12FEB2007	Tyco Electronics Corporation Harrisburg, PA 17105-3608	
DIMENSIONS: mm [INCHES]		CHK KURT A. RANDOLPH 12FEB2007		
TOLERANCES UNLESS OTHERWISE SPECIFIED:		APVD KURT A. RANDOLPH 12FEB2007	NAME SPECIAL LEAF CONTACT, 500 SERIES MAG-MATE	
0 PLC ± - 1 PLC ± - 2 PLC ± 0.25 [.010] 3 PLC ± - 4 PLC ± - ANGLES ± -		PRODUCT SPEC 108-2053	SIZE A2	CAGE CODE 00779
MATERIAL 4M BRASS		FINISH 4 -	DRAWING NO C=1217358	RESTRICTED TO -
CUSTOMER DRAWING			SCALE 10:1	SHEET 1 of 1
			REV B1	