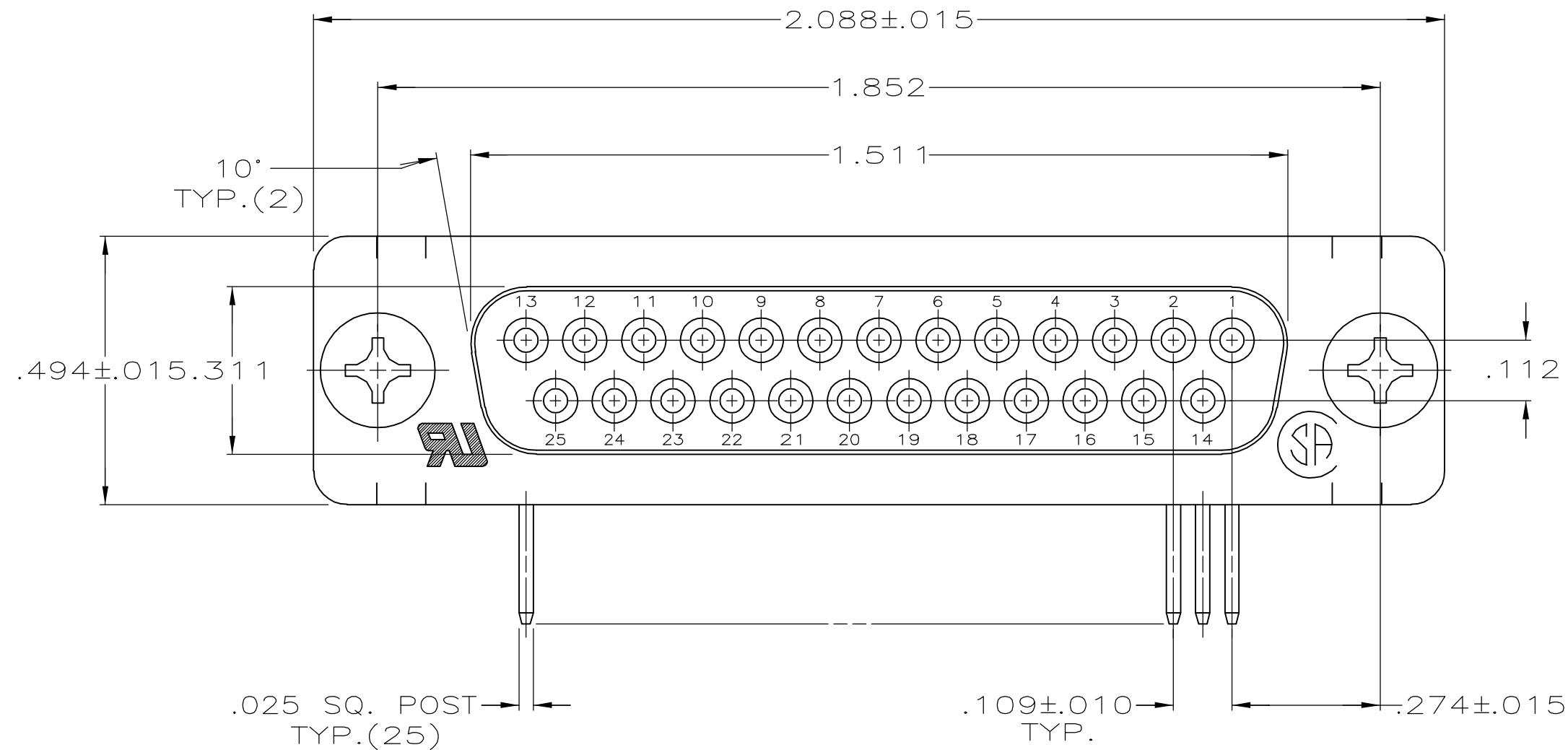
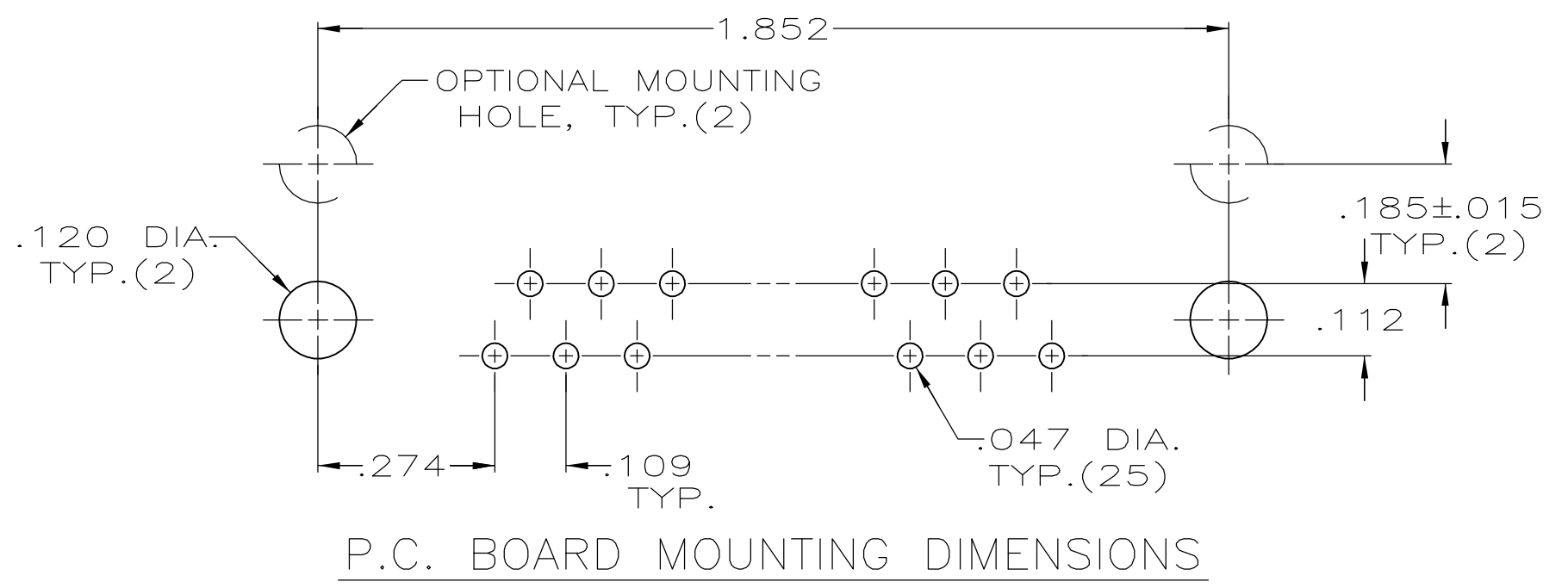
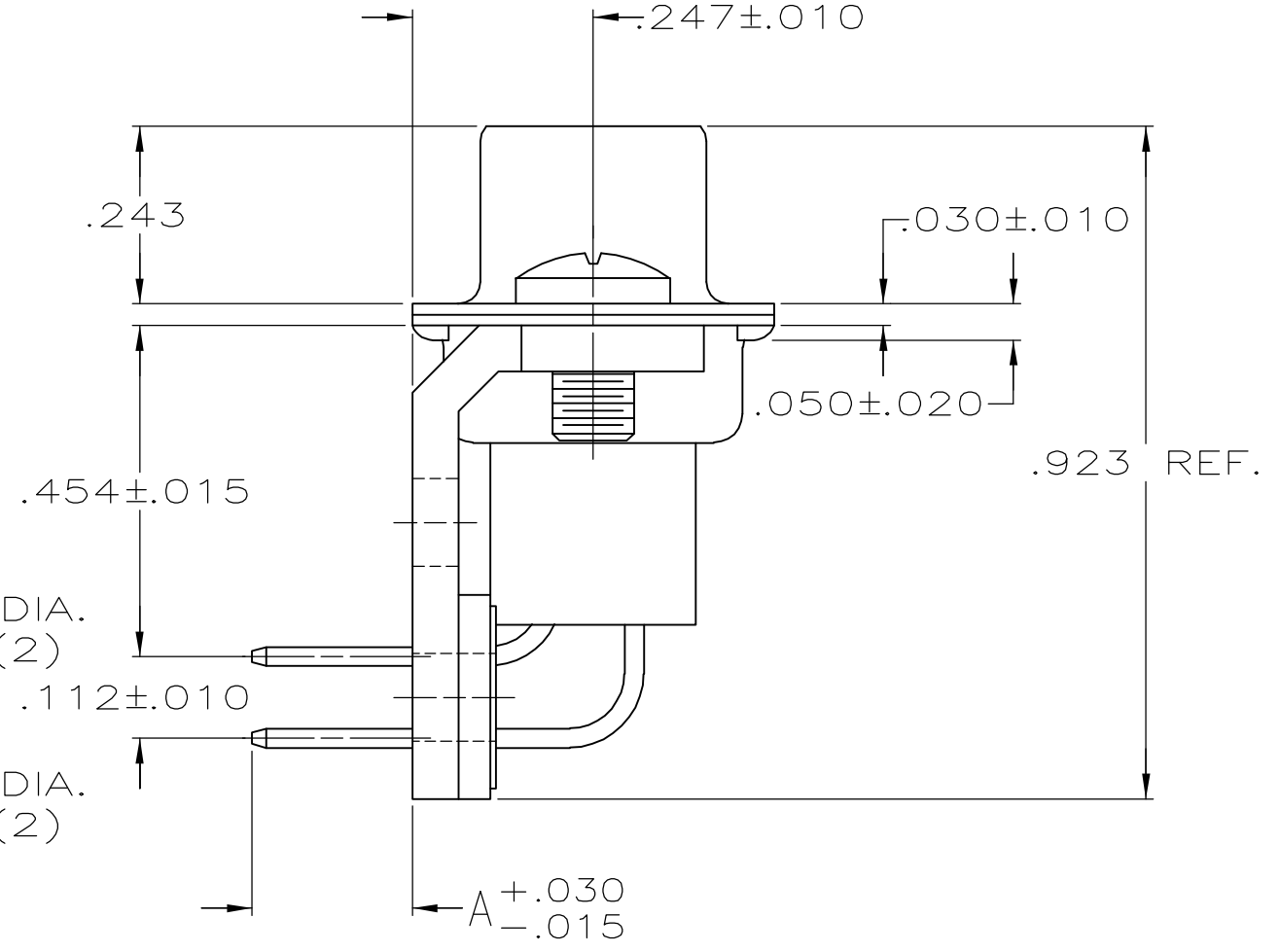
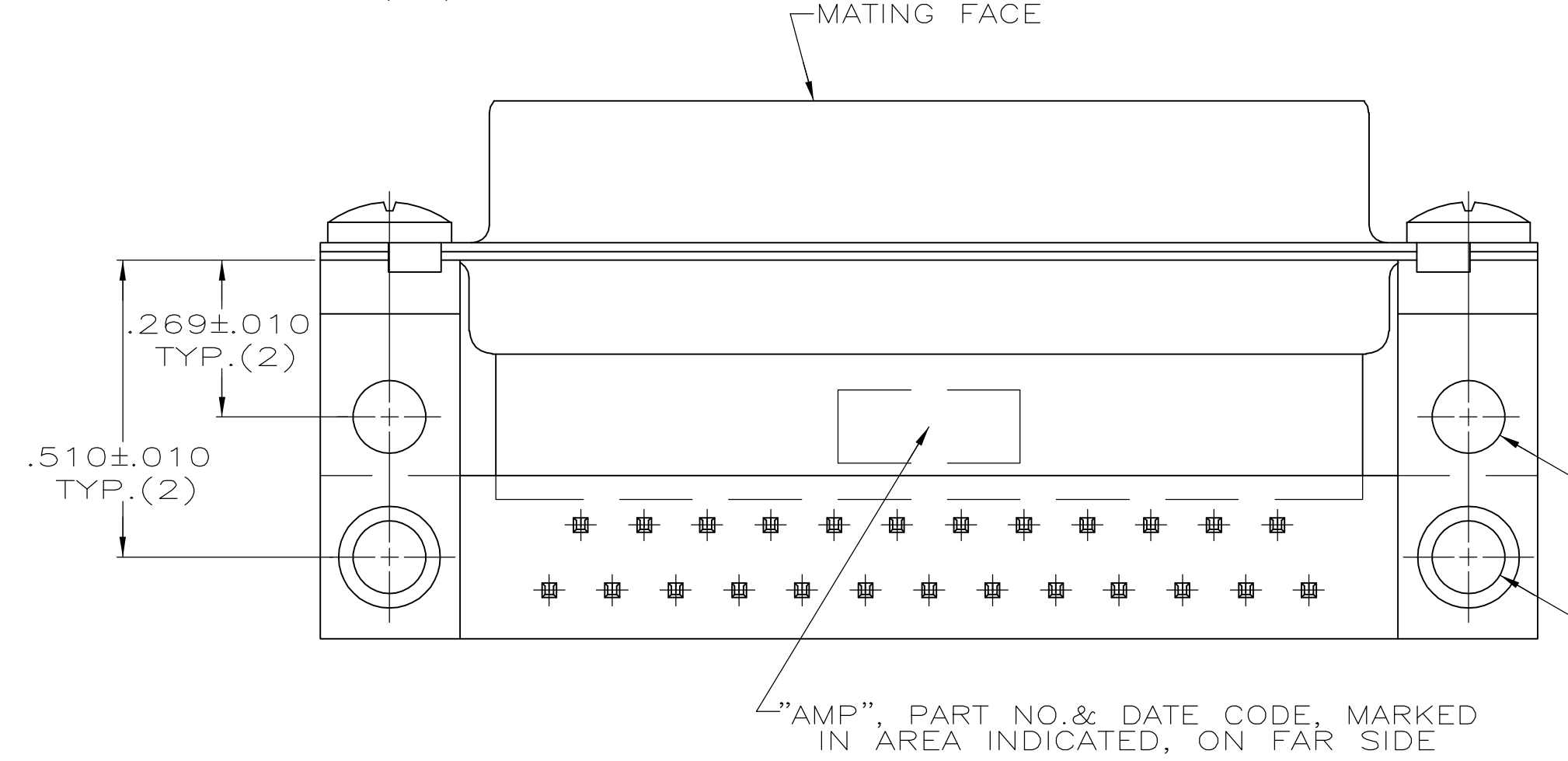


THIS DRAWING IS UNPUBLISHED. RELEASED FOR PUBLICATION
 © COPYRIGHT BY TYCO ELECTRONICS CORPORATION. ALL RIGHTS RESERVED.

LOC		DIST		REVISIONS			
P	LTR	DESCRIPTION	DATE	DWN	APVD		
GP	00						
	H	REVISED PER ECO-07-000091	06FEB07	BM	SB		



1. CONNECTOR MATES WITH ANY 25 POS. PLUG IN AMPLIMITE SERIES & COMPLIES WITH AMP SPEC. 108-40,005 WHERE APPLICABLE.
2. FLAME RETARDANT 94V-0 RATED THERMOPLASTIC; COLOR: BLACK.
3. STEEL PER ASTM A109.
4. PHOS. BRONZE PER QQ-B-750.
5. TIN PLATING PER MIL-T-10727, GOLD PLATING PER MIL-G-45204, NICKEL PLATING PER QQ-N-290.
6. TIN PLATED.
7. GOLD FLASH FOR A LENGTH OF .100 MINIMUM FROM MATING END, .000100 MINIMUM TIN-LEAD ON OPPOSITE END, BOTH OVER .000050 MINIMUM NICKEL.
8. .000030 MINIMUM GOLD FOR A LENGTH OF .100 MINIMUM FROM MATING END, .000100 MINIMUM TIN-LEAD ON OPPOSITE END, BOTH OVER .000050 MINIMUM NICKEL.



OBSOLETE	.125	8	745440-4
OBSOLETE	.125	7	745440-3
OBSOLETE	.220	8	745440-2
	.220	7	745440-1
A	CONTACT FINISH	PART NUMBER	

DIMENSIONS: INCHES		TOLERANCES UNLESS OTHERWISE SPECIFIED:		MATERIAL		FINISH		WEIGHT		CUSTOMER DRAWING	
0 PLC	± -	1 PLC	± -	2 PLC	± -	3 PLC	± -	4 PLC	± -	ANGLES	± -
THIS DRAWING IS A CONTROLLED DOCUMENT.		DWN J. GERACE		CHK J. GERACE		APVD J. GERACE		PRODUCT SPEC		APPLICATION SPEC	
Tyco Electronics Corporation		Harrisburg, PA 17105-3608		NAME		RECEPTACLE ASSEMBLY, SIZE 3, 25 POS., RIGHT ANGLE, .454 SERIES, .025 SQ. POSTS, AMPLIMITE HDP		SIZE A2		CAGE CODE 00779	
DRAWING NO. C=745440		RESTRICTED TO		SCALE		SHEET 1 OF 1		REV H			

745440

A