

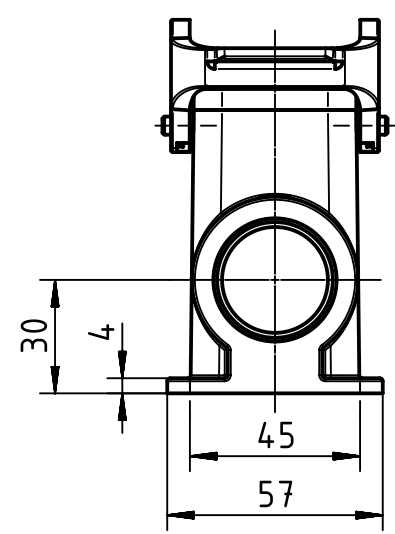
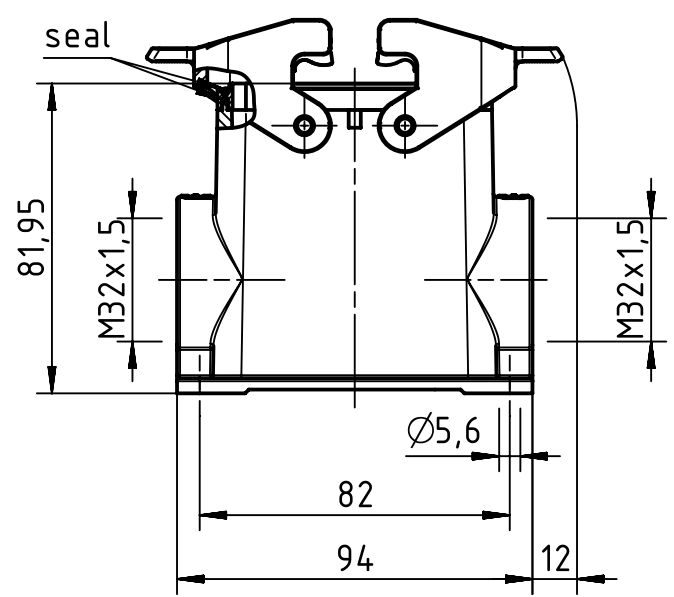
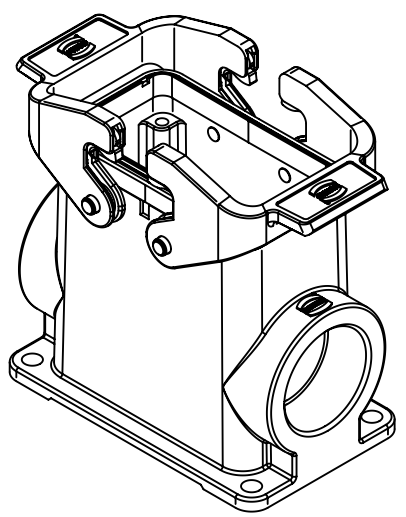
1 2 3 4 5 6

A

B

C

D



	All Dimensions in mm Original Size DIN A4		Scale 1:2	Free size tol.		Ref. Sub. TB 19 62 810 0272 v. 31.01.05		
		All rights reserved Department EL PD - DE		Created by SPRENB	Inspected by BERGHORN	Standardisation TIEMANNA	Date 2014-01-30	State Final Release
HARTING Electric GmbH & Co. KG D-32339 Espelkamp				Title Han EMC/B 10 Base Panel			Doc-Key / ECM-Nr. 100565591/UGD/004/A 500000071121	
				Type TB	Number 19 62 810 0272			Rev. A Page 1/1