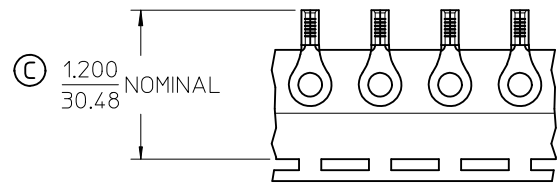
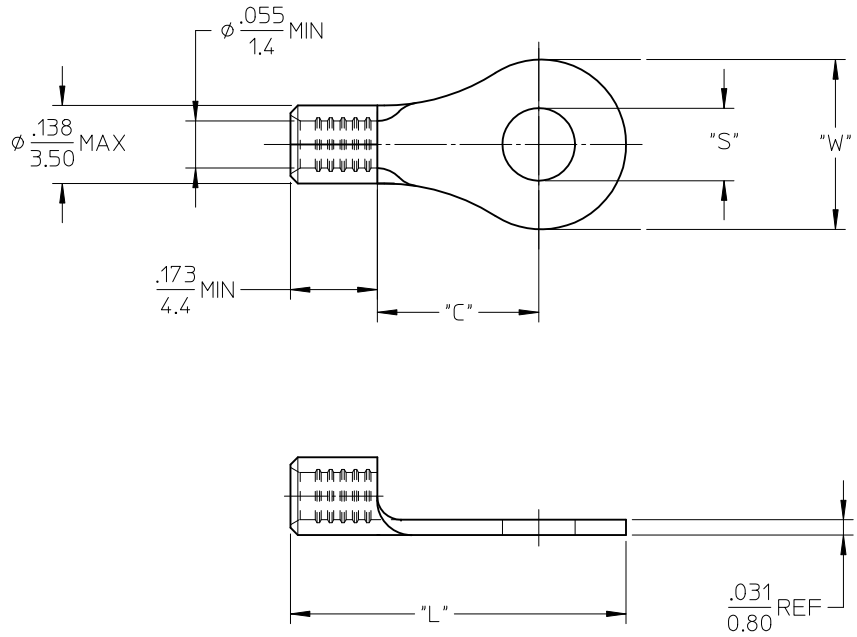


LOOSE PIECE		TAPE MOUNTED		STUD SIZE	DIMENSIONS			
MATERIAL NO.	ENG. NO.	MATERIAL NO.	ENG. NO.		"S" ±.007/0.18	"W" MAX	"C" MIN	"L" MAX
192030486	A-S-122-14	192030005	A-S-122-14T	1/4"	.256/6.50	.467/11.86	.427/10.85	.894/22.71
192030483	A-S-132-06	192030011	A-S-132-06T	06	.146/3.71	.270/6.86	.238/6.05	.611/15.52
192030485	A-S-132-08	192030014	A-S-132-08T	08	.169/4.29	.270/6.86	.238/6.05	.611/15.52
192030387	A-S-133-10	192030016	A-S-133-10T	10	.209/5.31	.325/8.26	.270/6.86	.666/16.92

Ⓒ



PARTS ON TAPE

NOTE(S):

1. MATERIAL: STEEL
2. WIRE SIZE: 22-18 AWG (0.25-1.5 MM²)
3. FINISH: NICKEL PLATING
4. PARTS ARE ROHS COMPLIANT.
5. AMBIENT OPERATING TEMPERATURE UP TO 900 °F (483 °C).

TAPET HT, CONSOL P/N'S EC NO: WNA2010-0619 DRW: WETHRODAHL 2010/04/23 CHKD: JMACNEIL 2010/04/23 APPR: JMACNEIL 2010/06/01	QUALITY SYMBOLS	GENERAL TOLERANCES (UNLESS SPECIFIED)		DIMENSION STYLE		SCALE	DESIGN UNITS	THIRD ANGLE PROJECTION
	▽=0 ▽=0	mm	INCH	IN/MM		4:1	INCH	RING TONGUE TERMINAL, 22-18 AWG, KRIMPTITE, 900 DEG F (483 DEG C)
		4 PLACES ±---	±---	DRAWN BY	DATE	MOLEX INCORPORATED		
		3 PLACES ±---	±---	EHILE	2006/09/22			
2 PLACES ±---	±---	CHECKED BY	DATE	DOCUMENT NO.	SHEET NO.			
1 PLACE ±---	±---	JMACNEIL	2006/09/22	SD-19203-036	1 OF 1			
ANGULAR ±---°		DRAFT WHERE APPLICABLE MUST REMAIN WITHIN DIMENSIONS		SEE CHART		THIS DRAWING CONTAINS INFORMATION THAT IS PROPRIETARY TO MOLEX INCORPORATED AND SHOULD NOT BE USED WITHOUT WRITTEN PERMISSION		