

THIS DRAWING IS UNPUBLISHED. RELEASED FOR PUBLICATION 20
 © COPYRIGHT 20 BY - ALL RIGHTS RESERVED.

LOC	DIST	REVISIONS					
ES	00	P	LTR	DESCRIPTION	DATE	DWN	APVD
		F		REVISED	03DEC2012	DZ	AC

XFP CAGE
 MAT'L: COPPER ALLOY
 FINISH: TIN

INTERMEDIATE REAR EMI GASKET;
 MAT'L: COPPER ALLOY
 FINISH: TIN

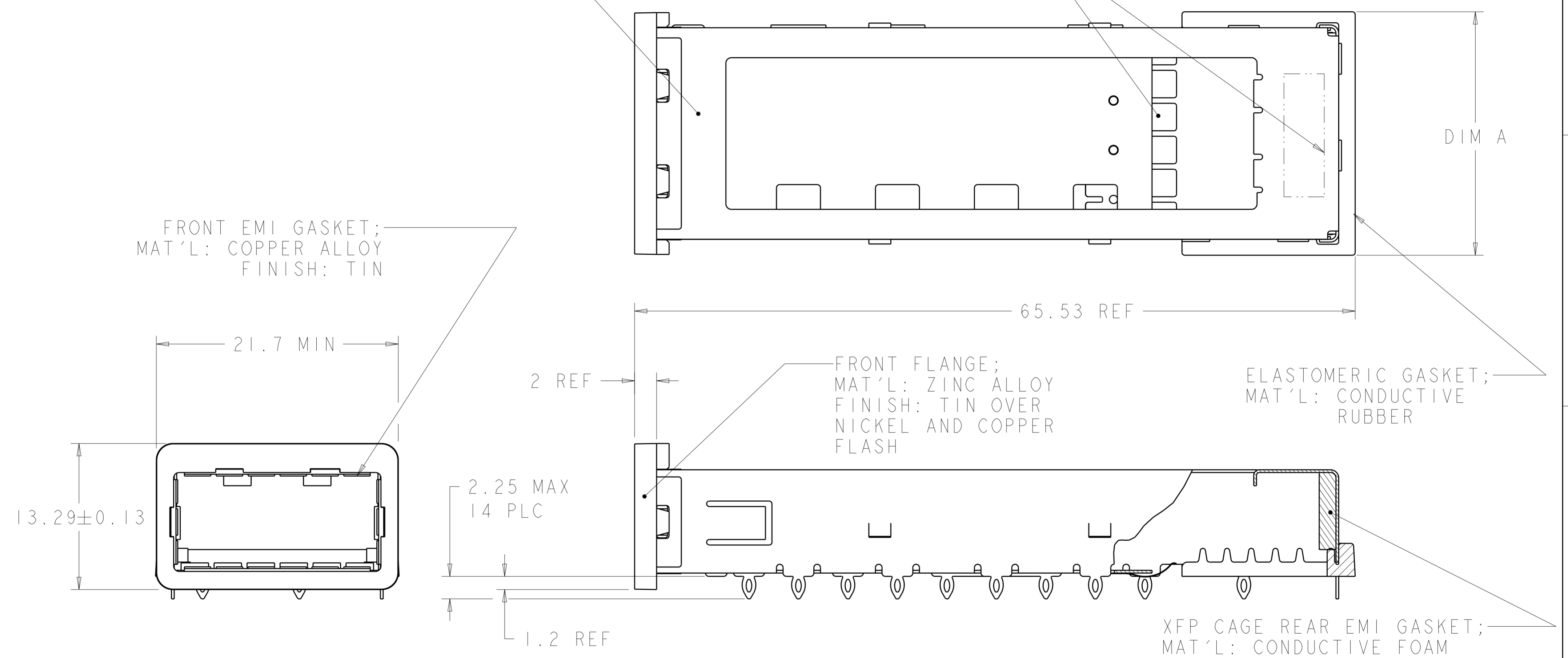
DATE CODE APPROXIMATE LOCATION

FRONT EMI GASKET;
 MAT'L: COPPER ALLOY
 FINISH: TIN

FRONT FLANGE;
 MAT'L: ZINC ALLOY
 FINISH: TIN OVER
 NICKEL AND COPPER
 FLASH

ELASTOMERIC GASKET;
 MAT'L: CONDUCTIVE
 RUBBER

XFP CAGE REAR EMI GASKET;
 MAT'L: CONDUCTIVE FOAM



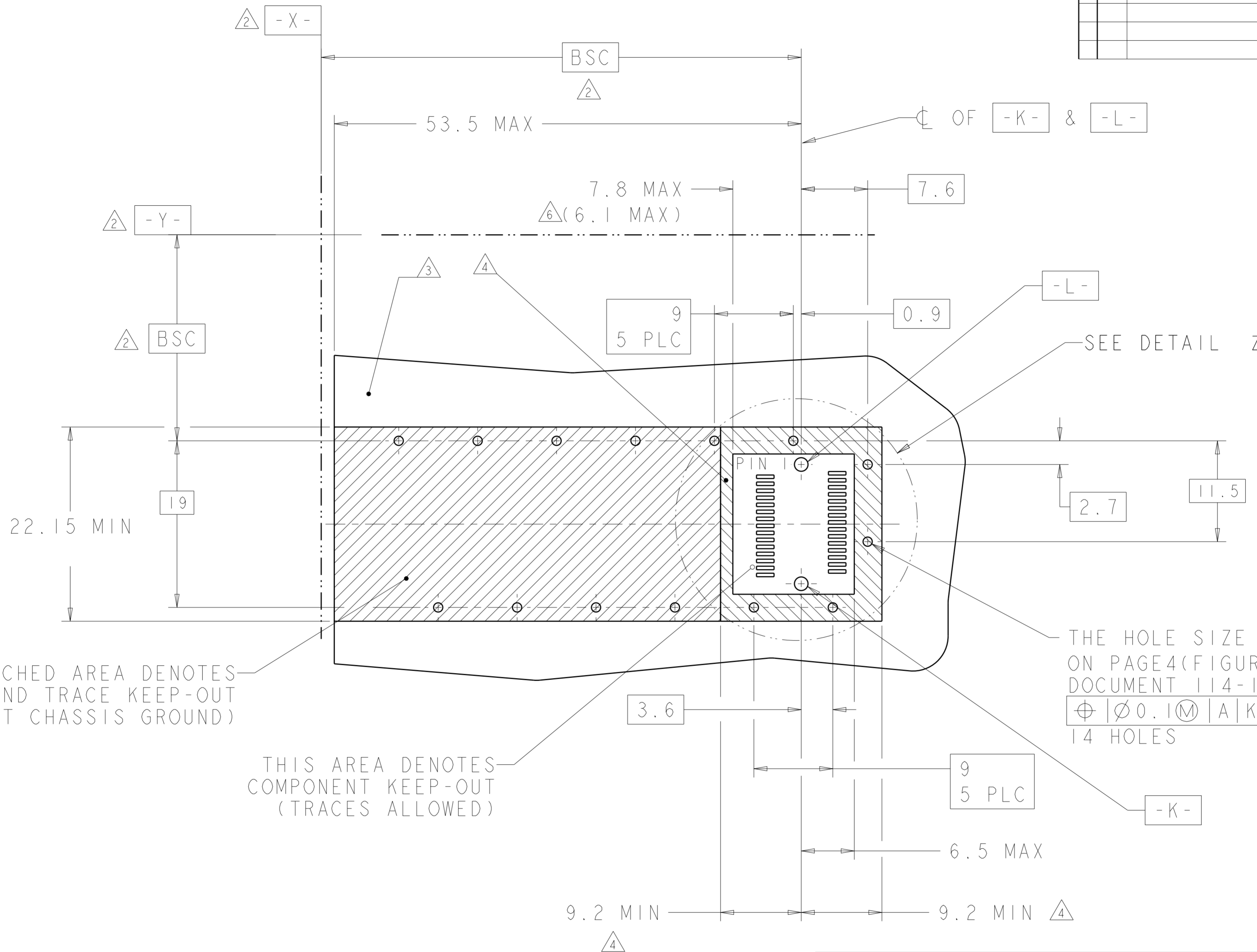
- ① MATES WITH XFP-MSA COMPLIANT TRANSCEIVERS.
- ② DATUM AND ESTABLISHED BY CUSTOMER.
- ③ DATUM IS TOP SURFACE OF HOST BOARD.
- ④ INDICATED SURFACES TO BE CONDUCTIVE AND CONNECTED TO CHASSIS GROUND.
- ⑤ THE PART IS PRELIMINARY
- ⑥ THE SELECTIVE DIMENSION 6.1 MAX ONLY FOR CUSTOMER HUAWEL

⑤	22 MAX	NO	1489951-4
	23 MAX	YES	1489951-2
	23 MAX	NO	1489951-1
	DIM A	DATE CODE	PART NUMBER

THIS DRAWING IS A CONTROLLED DOCUMENT.		DWN D. STAHL 14AUG02	TE Connectivity	
DIMENSIONS: mm		CHK J. KOPPENHEFFER 15JAN04		
TOLERANCES UNLESS OTHERWISE SPECIFIED:		APVD M. WALMSLEY 15JAN04	NAME CAGE ASSEMBLY, 10 GIGABIT, XFP	
0 PLC ±.1		PRODUCT SPEC 108-2127	SIZE A200779	
1 PLC ±.01		APPLICATION SPEC 114-13096	DRAWING NO C-1489951	
2 PLC ±.001		WEIGHT -	RESTRICTED TO -	
3 PLC ±.0001		Customer Drawing	SCALE 4	
4 PLC ±.0001			SHEET 1 OF 3	
ANGLES ±			REV F	
FINISH				

THIS DRAWING IS UNPUBLISHED. RELEASED FOR PUBLICATION 20
 © COPYRIGHT 20 BY - ALL RIGHTS RESERVED.

LOC	DIST	REVISIONS					
ES	00	P	LTR	DESCRIPTION	DATE	DWN	APVD
		-		SEE SHEET 1			



CROSS-HATCHED AREA DENOTES COMPONENT AND TRACE KEEP-OUT (EXCEPT CHASSIS GROUND)

THIS AREA DENOTES COMPONENT KEEP-OUT (TRACES ALLOWED)

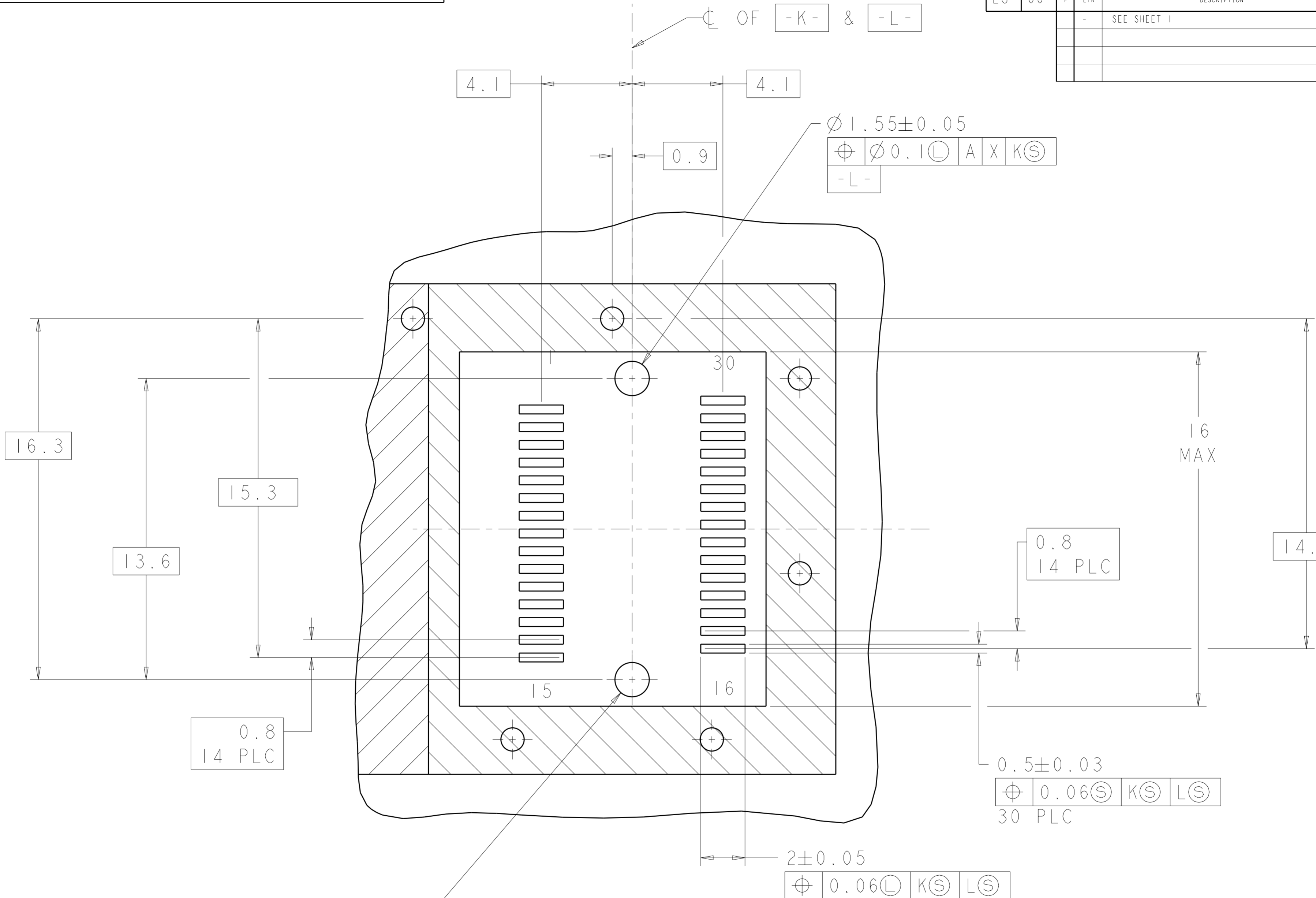
THE HOLE SIZE IS RECOMMENDED ON PAGE 4 (FIGURE 3) OF TE DOCUMENT 114-13096
 Ø0.1(M) A | K(S) | L(S)
 14 HOLES

DETAILED HOST BOARD MECHANICAL LAYOUT

THIS DRAWING IS A CONTROLLED DOCUMENT.		DWN D. STAHL 14AUG02	TE Connectivity	
DIMENSIONS: mm		CHK J. KOPPENHEFFER 15JAN04		
TOLERANCES UNLESS OTHERWISE SPECIFIED:		APVD M. WALMSLEY 15JAN04	NAME CAGE ASSEMBLY, 10 GIGABIT, XFP	
0 PLC ±.1 1 PLC ±.01 2 PLC ±.001 3 PLC ±.0001 4 PLC ANGLES ±.		PRODUCT SPEC 108-2127	SIZE A200779	
MATERIAL		APPLICATION SPEC 114-13096	DRAWING NO C-1489951	
		WEIGHT	RESTRICTED TO	
		Customer Drawing	SCALE 4 SHEET 2 OF 3 REV F	

LOC ES DIST 00

REVISIONS				
P	LTR	DESCRIPTION	DATE	APVD
-	-	SEE SHEET 1	-	-



1.55 ± 0.05
 $\phi 0.1$ A X Y
 -K-

DETAIL Z
 SCALE 8:1

DETAILED HOST BOARD MECHANICAL LAYOUT

THIS DRAWING IS A CONTROLLED DOCUMENT.

DIMENSIONS: mm	TOLERANCES UNLESS OTHERWISE SPECIFIED:	DWN D. STAHL 14AUG02	STE TE Connectivity
	0 PLC ±.1	CHK J. KOPPENHEFFER 15JAN04	
	1 PLC ±.01	APVD M. WALMSLEY 15JAN04	
	2 PLC ±.001	NAME CAGE ASSEMBLY, 10 GIGABIT, XFP	
3 PLC ±.0001	PRODUCT SPEC 108-2127	SIZE CAGE CODE DRAWING NO	RESTRICTED TO
4 PLC ANGLES ±.0001	APPLICATION SPEC 114-13096	A200779C-1489951	-
MATERIAL FINISH	WEIGHT -	Customer Drawing	SCALE 4 SHEET 3 OF 3 REV F