

# Telecom OC48 VCXO

- 622.08 MHz Osc
- Low Phase Noise
- PECL Output

## Applications

- SDH / SONET
- Digital Switching
- Test Equipment
- Cellular Telephony
- Land Mobile Radio

Series

**CV622E**



Specifications:	Min	Typ	Max	Unit
Frequency Range:		622.08		MHz
Available Stability Options:	-30		30	ppm
Supply Voltage:	3.135	3.3	3.465	V
Operating Temperature Range Options:	-10		85	°C
Storage Temperature:	-55		125	°C
Duty Cycle:	45		55	%
Start-Up Time:		3	10	mS
Aging (PPM/1st Year): Ta=25C, Vdd=3.3V			±5	
Static Discharge Voltage Mil-Std 883, method 3015	2000			V
Supply Current			100	mA
Short Circuit Current		± 50		mA
<b>Jitter</b> Period, RMS Period, Peak to Peak Accumulated, RMS Peak to Peak		4 25 7 45		pS pS pS pS
<b>Phase Noise</b> @ 1KHz Offset		-125		dBc/Hz
<b>Output Voltage</b> Voh Vol RI = 50Ω – (Vdd - 2V)	Vdd - 1.025		Vdd - 1.62	V V
<b>Rise / Fall Time</b> Clock Rise (tr) Clock Fall (tf)		0.6 0.5	1.5 1.5	nS nS
<b>Vcon Modulation BW</b>	25	0V ≤ Vcon ≤ 3.3V -3dB		KHz
<b>Pull Range</b>	-190		190	ppm
<b>Linearity</b>	5		10	%
<b>Frequency Tuning Range</b>		115		ppm/V

**Output Level:** PECL

**Packaging:** Tape & Reel

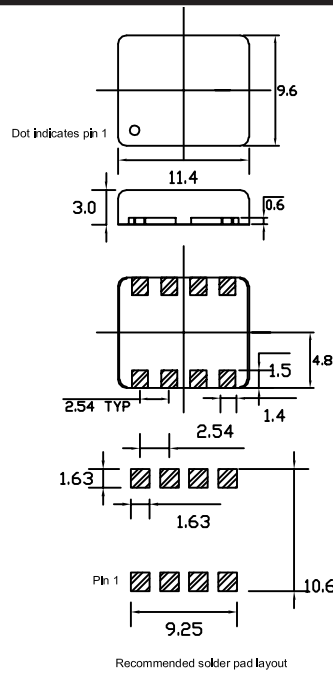
Notes: Extended exposure exceeding maximum ratings may cause permanent damage and affect reliability. Operation outside of specifications is not supported.

**Cardinal Components, Inc., 155 Rt. 46 W, Wayne, NJ. 07470 TEL: (973)785-1333 FAX: (973)785-0053**  
<http://www.cardinalxtal.com> E-Mail: [cardinal@cardinalxtal.com](mailto:cardinal@cardinalxtal.com)

Specifications subject to change without notice. Check website for latest updates



CV622E

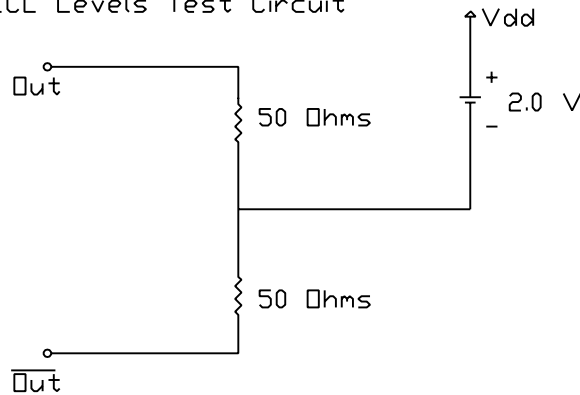


PIN	FUNCTION
1	OE
2	V <sub>CONTROL</sub>
3	N/C
4	GND
5	PECL +
6	PECL -
7	N/C
8	V <sub>dd</sub>

DIMENSIONS ARE IN MM

LEVELS TEST CIRCUIT

PECL Levels Test Circuit



OUTPUT SKEW

PECL Output Skew

