

5

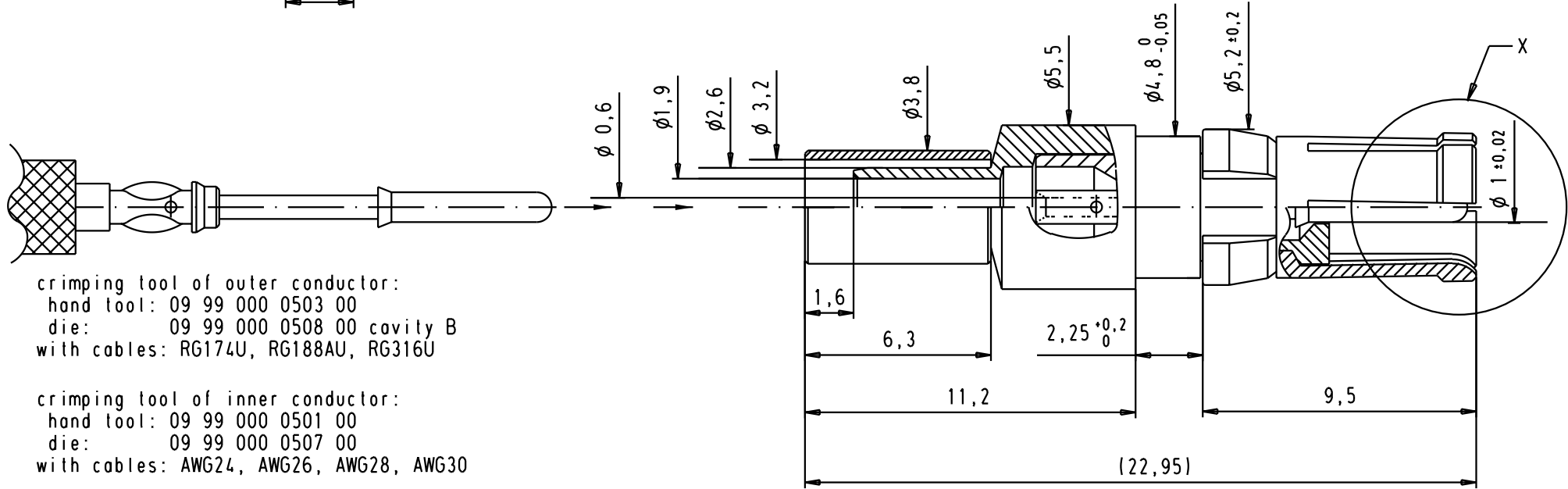
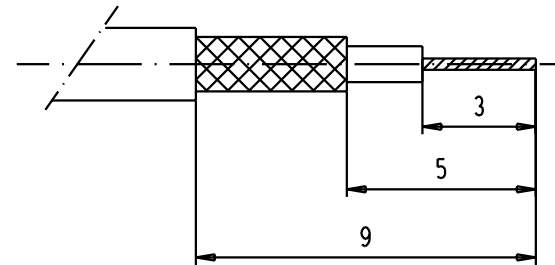
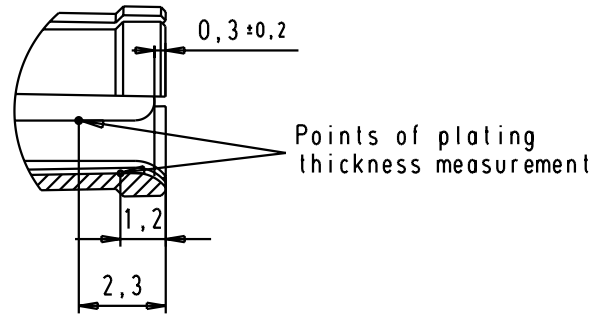
4

3

2

1

harnessing dimensions



crimping tool of outer conductor:
hand tool: 09 99 000 0503 00
die: 09 99 000 0508 00 cavity B
with cables: RG174U, RG188AU, RG316U

crimping tool of inner conductor:
hand tool: 09 99 000 0501 00
die: 09 99 000 0507 00
with cables: AWG24, AWG26, AWG28, AWG30

A

Part number	Plating	outer conductor	inner conductor	Mod.	Dat.	Name	Detail.	Dat.	Name	Female coaxial contact 50 Ohms straight cable terminaison, inner and outer conductor for crimp termination		Maßstab/ Scale
09691827140	Mating area	0,2 µm Au	0,2 µm Au				Insp.	21- JUN-02	CV	 All Dim. in mm Orig. Size DIN A 4	5:1	
	Termination area	5 µm Sn	0,2 µm Au			Stand.						
09691825140	Mating area	0,8 µm Au	1,3 µm Au							 HARTING EURL F-95972 Paris	TB 09 69 182 x140 Blatt/ Page 1 / 1	
	Termination area	0,2 µm Au	1,3 µm Au	31057	21- JUN-02	CV						