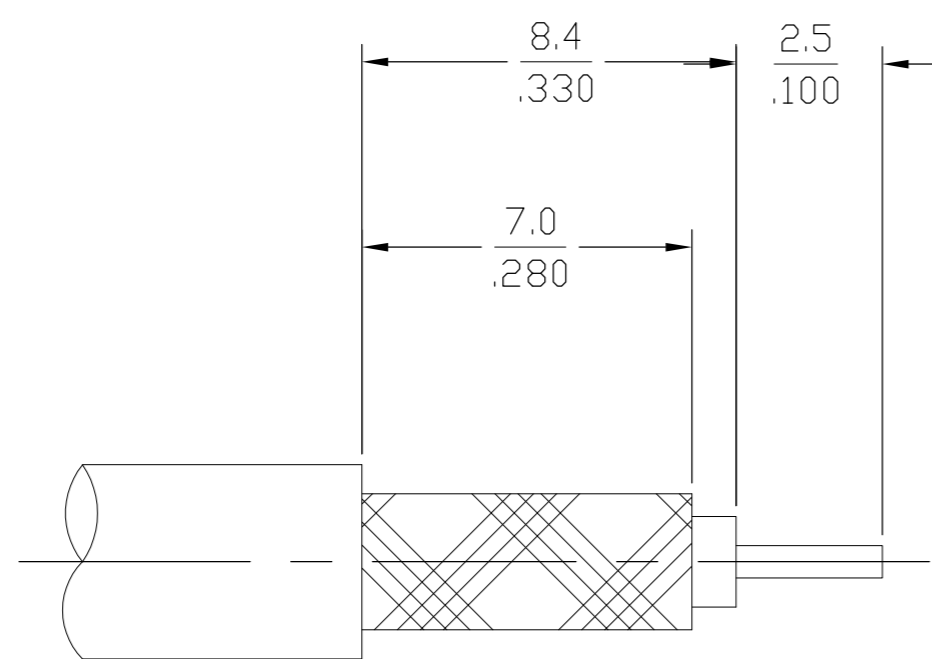
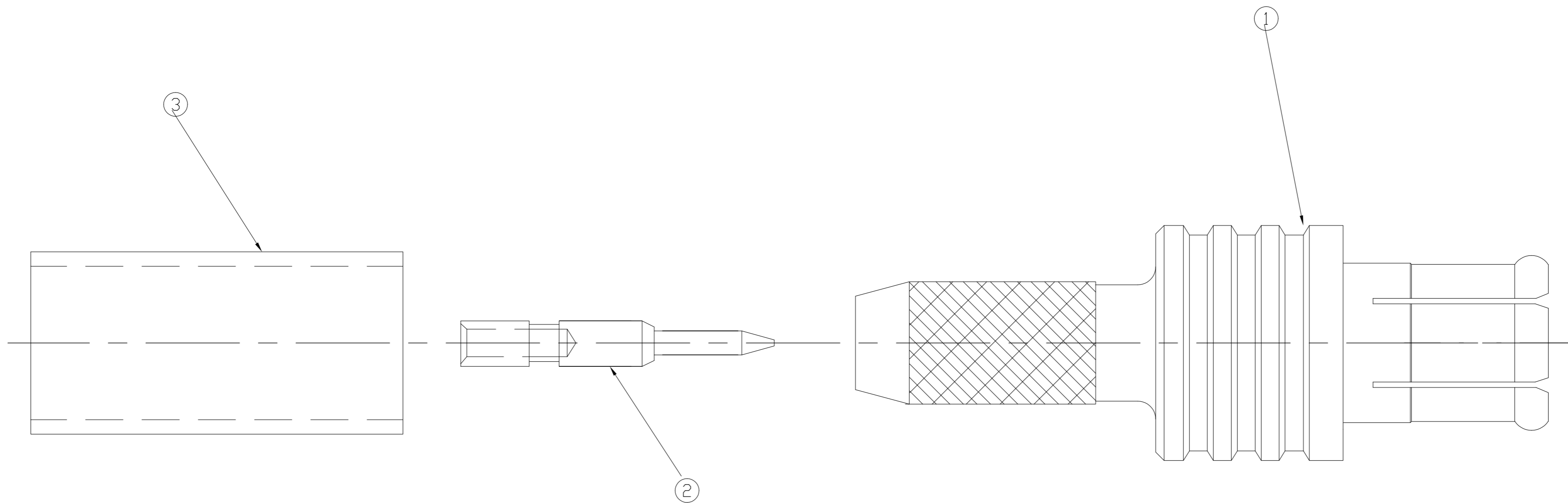


THIS DRAWING IS UNPUBLISHED. RELEASED FOR PUBLICATION
 © COPYRIGHT BY TYCO ELECTRONICS CORPORATION. ALL RIGHTS RESERVED.

LOC		DIST		REVISIONS			
P	LTR	DESCRIPTION	DATE	DWN	APVD		
	C	REV PER ECO 08-007172	26MAR2008	DW	JL		



RECOMMENDED STRIP LENGTH

RD316/U	3-413889-2	1408060-2	1408063-1	1060875-2
RD316/U	2-413889-7	1408060-2	1408063-2	1060875-1
CABLE SIZE	FERRULE ③ QTY=1	CONTACT ② QTY=1	PLUG ASSEMBLY ① QTY=1	PART NUMBER

THIS DRAWING IS A CONTROLLED DOCUMENT.		DWN	05APR2007	
DIMENSIONS: INCHES		CHK	-	
TOLERANCES UNLESS OTHERWISE SPECIFIED:		APVD	-	
0 PLC ± -		PRODUCT SPEC	-	
1 PLC ± -		APPLICATION SPEC	-	
2 PLC ± -		408-10131	SIZE	A2
3 PLC ± -		WEIGHT	CAGE CODE	00779
4 PLC ± -		FINISH	DRAWING NO	C=1060875
ANGLES ± -		MATERIAL	RESTRICTED TO	-
-		CUSTOMER DRAWING	SCALE	10:1
-			SHEET	1 of 1
			REV	C

Tyco Electronics Tyco Electronics Corporation
Harrisburg, PA 17105-3608

MCX CABLE PLUG,
CRIMP ATTACHMENT