

REV. NO.	031-8237		
REVISIONS			
SYM.	E.G.O.	DATE	APP.
RELEASED TO PRODUCTION			

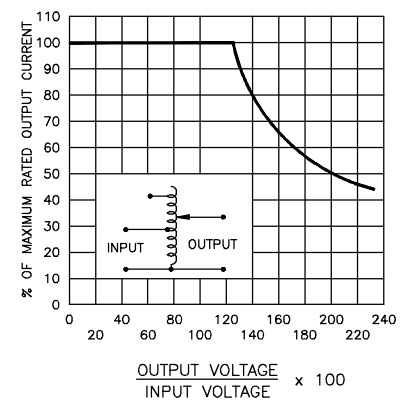
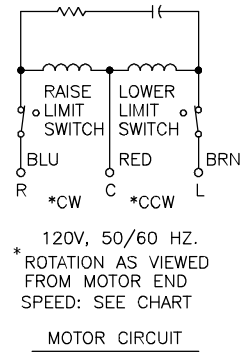
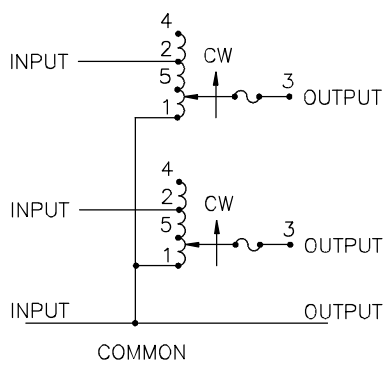
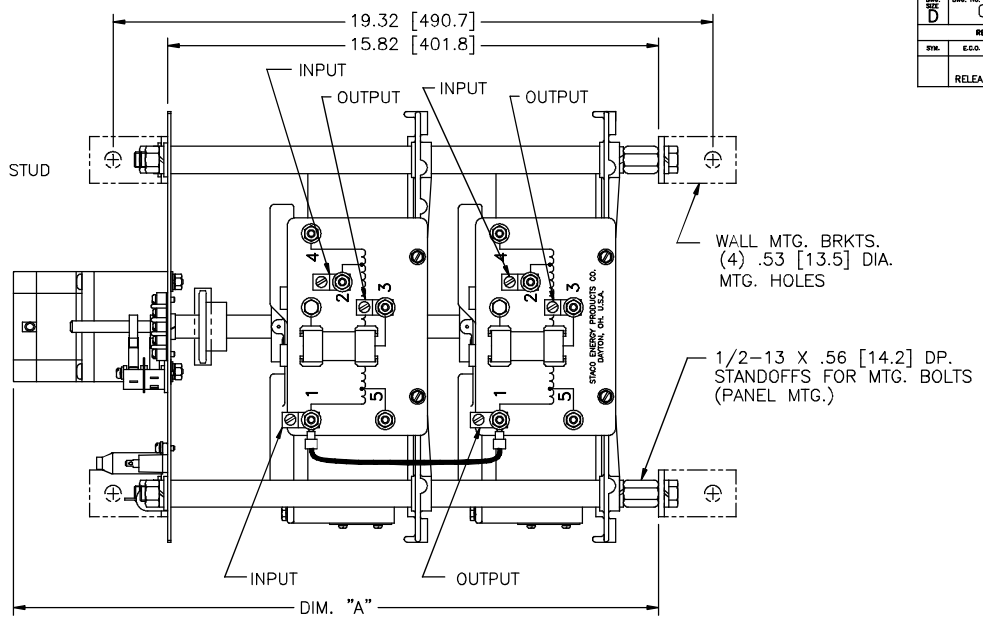
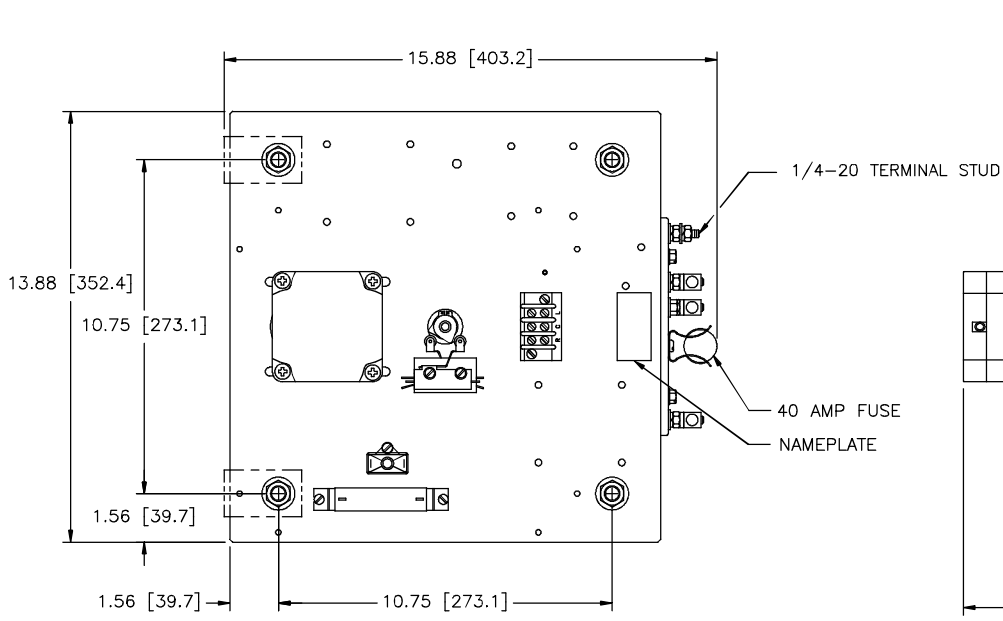


FIGURE A  
MAXIMUM OUTPUT CURRENT OF ANY DUAL INPUT VOLTAGE OR VOLTAGE DOUBLER UNIT OPERATED AT LOWER INPUT VOLTAGE.

# MAXIMUM OUTPUT CURRENT IN OUTPUT VOLTAGE RANGE FROM 0 TO 25% ABOVE LINE VOLTAGE. AT HIGHER OUTPUT VOLTAGES, OUTPUT CURRENT MUST BE REDUCED ACCORDING TO RATING CURVE FIGURE A.  
‡ MAXIMUM KVA AT MAXIMUM OUTPUT AND CORRESPONDING DE-RATED CURRENT. MAXIMUM KVA AT LOWER OUTPUT VOLTAGES MAY BE CALCULATED FROM RATING CURVE FIGURE A.

SPEED (SECONDS)	MODEL NUMBER	DIM. "A"
5	5M5021-2D	19.62 [498.5]
15	15M5021-2D	20.78 [527.8]
30	30M5021-2D	20.78 [527.8]
60	60M5021-2D	20.78 [527.8]

WIRING	INPUT		OUTPUT			SHAFT ROTATION FOR INCREASE VOLTAGE	TERMINAL CONNECTIONS FOR INCREASING VOLTAGE AS VIEWED FROM ROTOR END	
	VOLTS	HERTZ	VOLTS	MAX. AMPS	MAX. KVA		INPUT	OUTPUT
THREE PHASE OPEN DELTA	240	50/60	0-240	28	11.6	CW	4-1-4	3-1-3
			0-280	28	13.6	CW	2-1-2	3-1-3
	120	50/60	0-280	38 <sup>#</sup> -12 V.D.	5.8 ‡	CW	5-1-5	3-1-3

UNLESS OTHERWISE SPECIFIED, TOLERANCE IS ± .0001 INCHES FOR DIMENSIONS .125 AND OVER, .0005 INCHES FOR DIMENSIONS .031 TO .125, AND .001 INCHES FOR DIMENSIONS UNDER .031. ALL DIMENSIONS APPLY UNLESS OTHERWISE SPECIFIED.

MATERIAL:   
 ALL DIMENSIONS APPLY UNLESS OTHERWISE SPECIFIED.

UNIT: INCHES

SCALE: .5=1

TITLE: SPEC. CONTROL DRAWING MOTORIZED VARIABLE XFMR. TYPE: M5021-2D

DRIVEN BY: T.SNAY DATE: 7/26/12 FIRST USED ON:   
 CHECKED BY: F.SEALE DATE: 7/26/12 WEIGHT APPROX.: 8300B   
 ENGR'G BY: F.SEALE DATE: 7/26/12 SCALE: .5=1 SHEET 1 OF 1

DO NOT SCALE DIMS.

DATE: 7/26/12

SCALE: .5=1

SHEET 1 OF 1

REV. NO. 031-8237

**STACO ENERGY PRODUCTS CO.**  
A Corporation of American Energy  
200 Goshen Boulevard, Goshen, Ohio 44042, U.S.A.