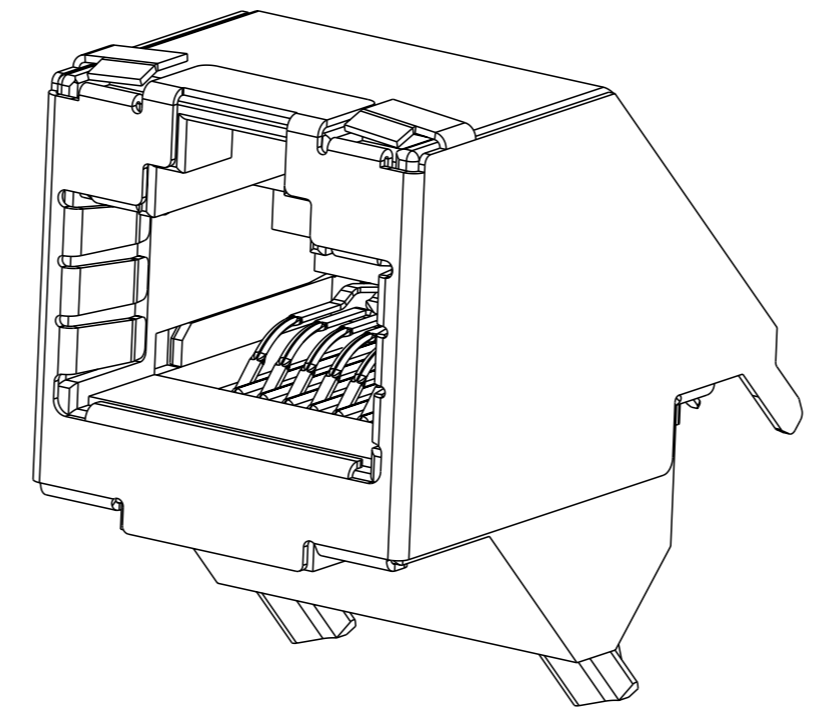
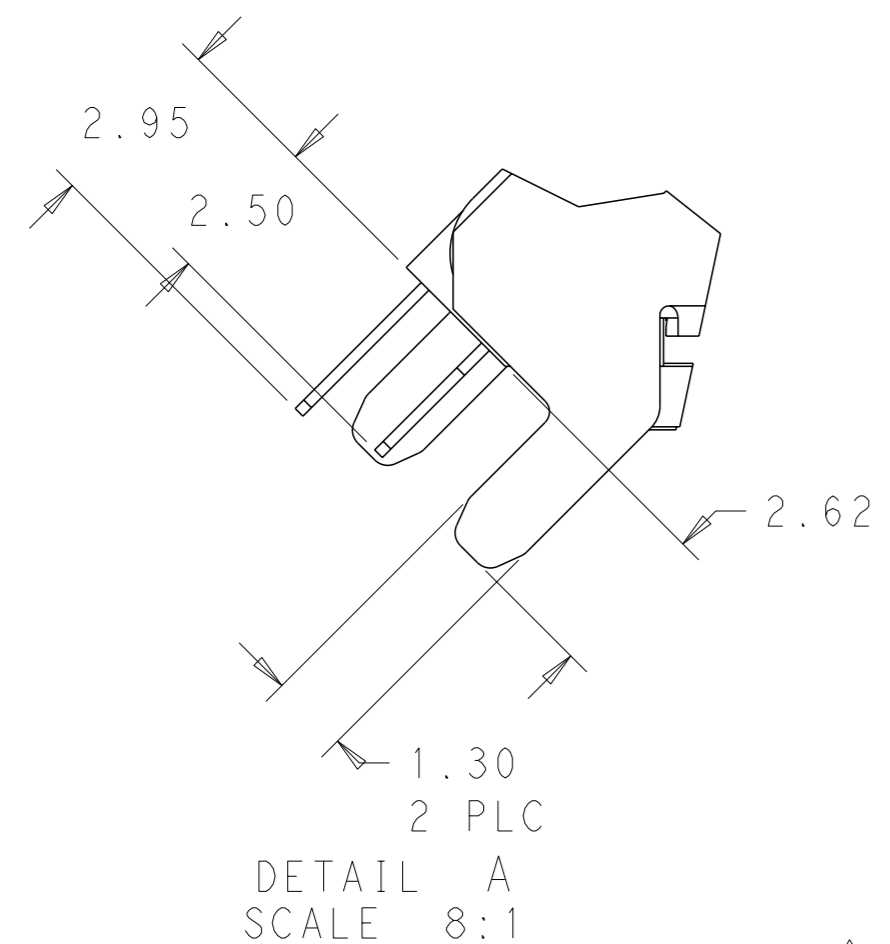
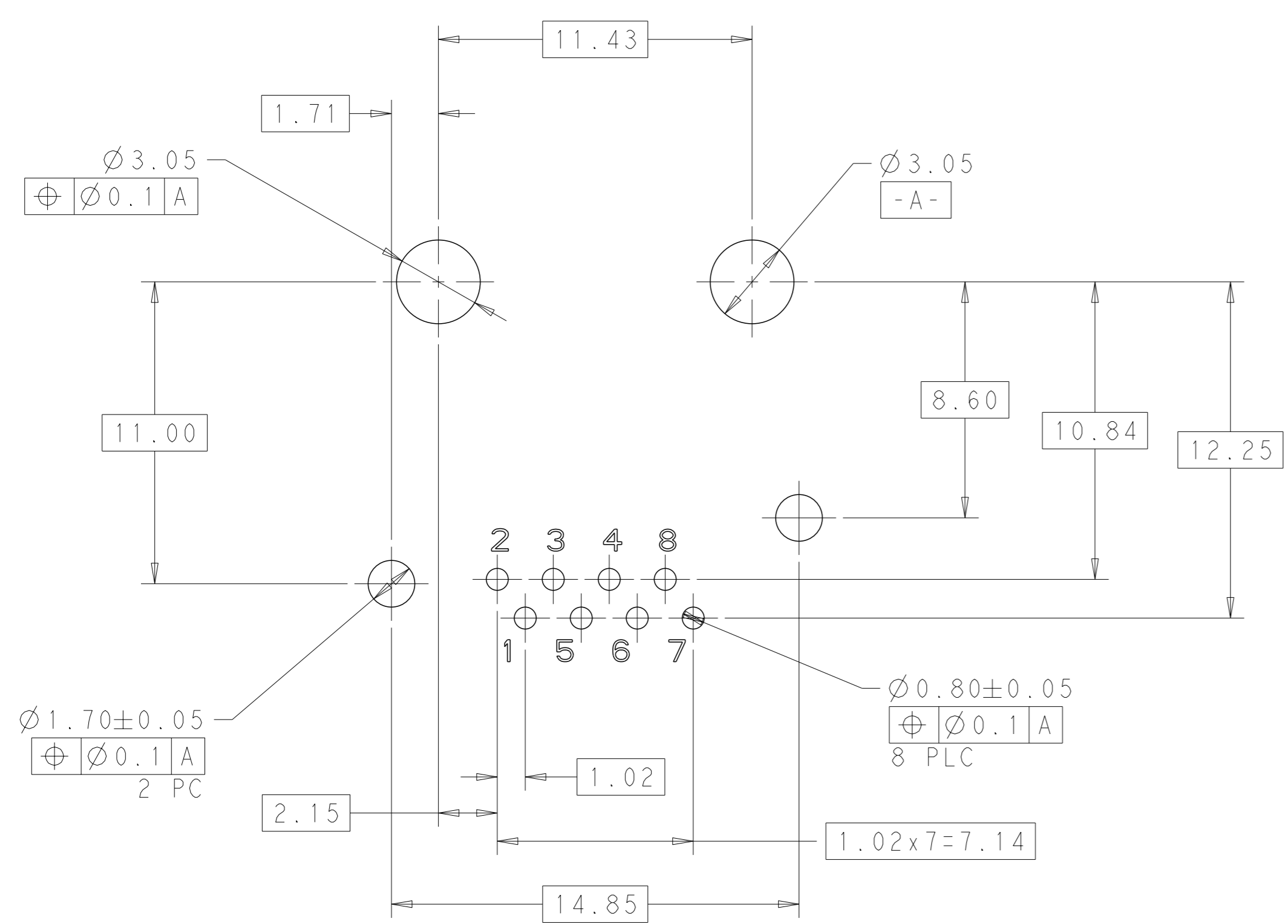
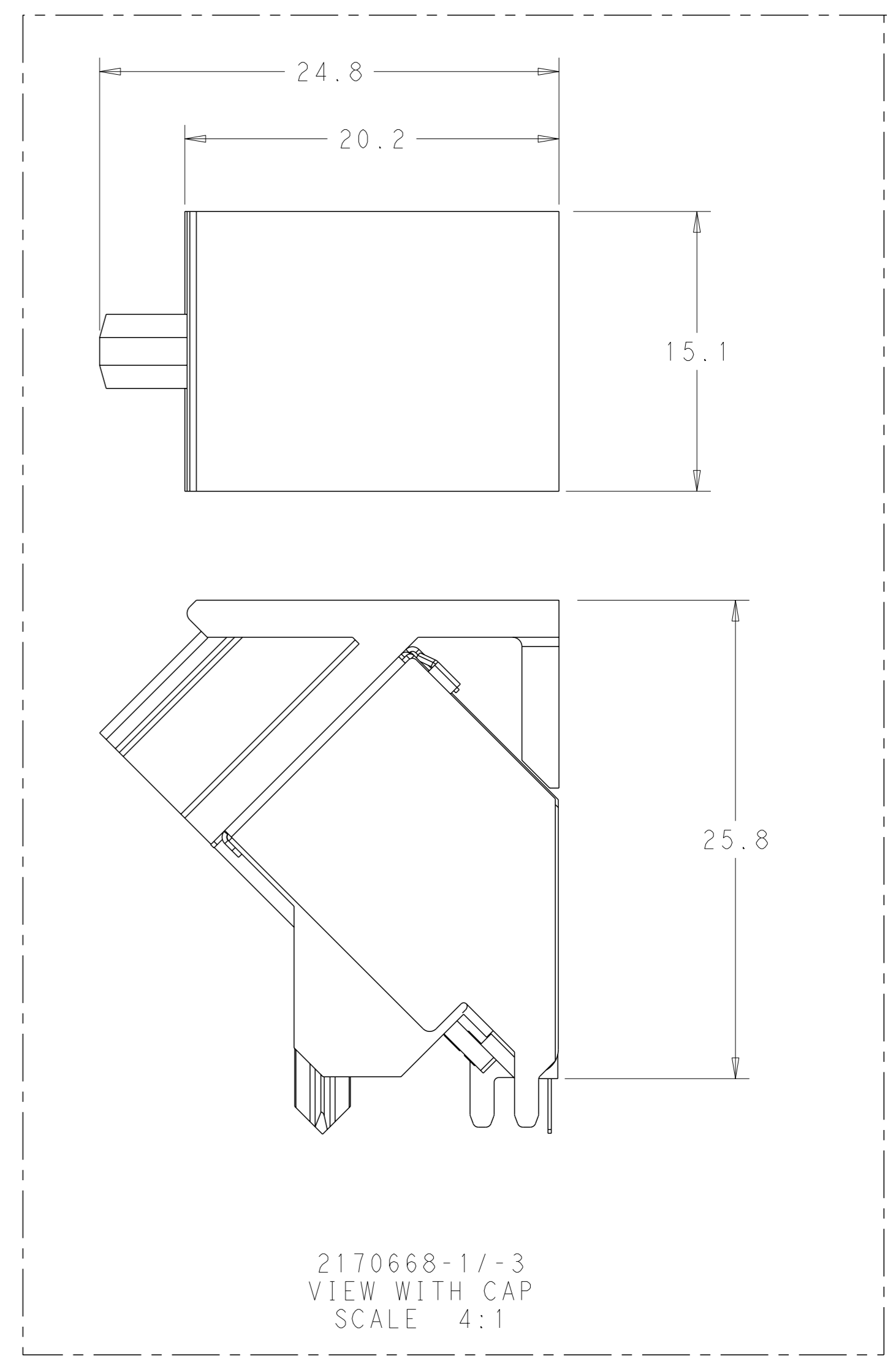
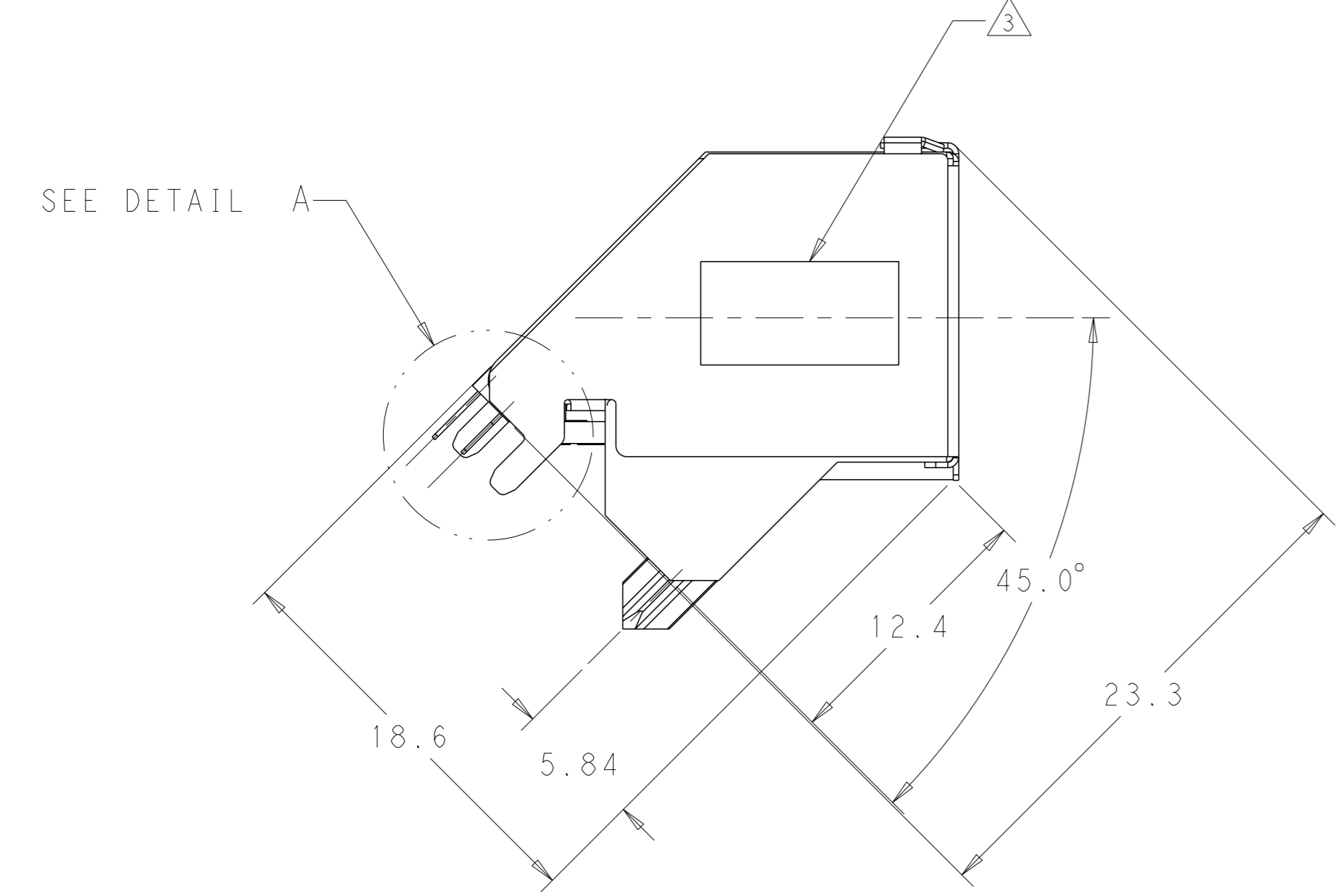
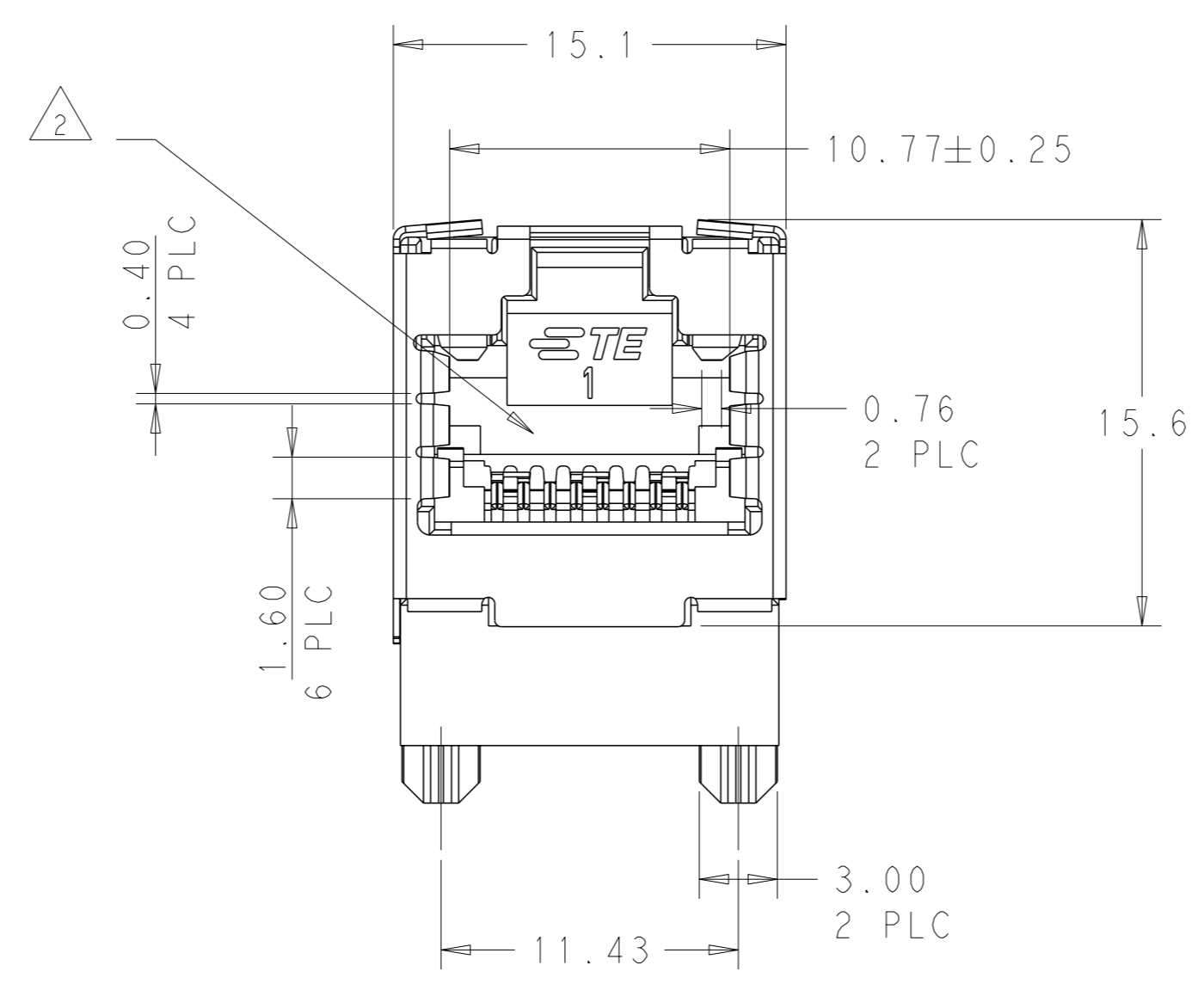


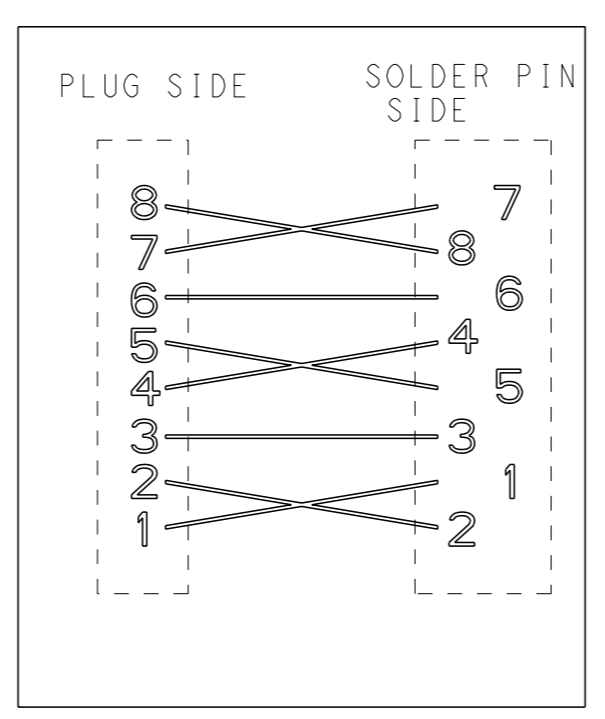
REVISIONS					
#	LY#	DESCRIPTION	DATE	OWN	APVD
A	ECO-15-007308		14MAY2015	LL	SH
B	ECO-16-010518		15JUL2016	LL	SH



- 1 MATERIAL: HOUSING - HIGH TEMPERATURE THERMOPLASTIC, BLACK, UL 94V-0, IR REFLOW SOLDERING PROCESS COMPATIBLE.
TERMINALS - 0.18MM THICK PHOSPHOR BRONZE PLATED WITH 3.81µm MINIMUM THICK MATTE TIN IN SOLDER AREA, 0.76µm MINIMUM GOLD IN LOCALIZED PLATE AREA.
ENTIRE TERMINAL PLATED WITH 1.27µm[.000050] MINIMUM THICK NICKEL.
SHIELD - 0.25MM MIN THICK COPPER ALLOY, PREPLATED WITH 1.27µm THICK NICKEL AND 2.03µm MINIMUM HOT TIN DIP ON PCB GROUND TABS.
COMPENSATION PCB - FR-4.
- 2 JACK CAVITY CONFORMS TO FCC RULES AND REGULATIONS PART 68, SUBPART F.
- 3 PART NUMBER, DATE CODE TO BE MARKED IN APPROXIMATE LOCATION SHOWN.
- 4 FOR CAT6 APPLICATION, THE PART ITSELF CAN NOT MEET CAT6 PERFORMANCE, NECESSARY COMPENSATION ON CUSTOMER PCB IS MANDATORY.
- 5 WITHOUT THE CAP.



DETAIL A SCALE 8:1
ONLY FOR 2170668-3/-4, OTHER DIMENSIONS SAME AS -1/-2



CAP OPTION	MATERIAL	PACKAGE	PART NUMBER
W/O CAP	ESD TRAY		2170668-4
WITH CAP	ESD TRAY		2170668-3
W/O CAP	ESD TRAY		2170668-2
WITH CAP	ESD TRAY		2170668-1

SUGGESTED PC BOARD LAYOUT.
COMPONENT SIDE
TOLERANCE: ±0.05

THIS DRAWING IS A CONTROLLED DOCUMENT. OWN: LEO LI, 25MAY2014. CHK: SEAN HAN, 25MAY2014. APVD: SEAN HAN, 25MAY2014.

STE TE Connectivity

NAME: ANGLED ENTRY JACK, SHIELDED RJ45, FOR CAT6 APPLICATION

SIZE: A1, CAGE CODE: - , DRAWING NO: - , RESTRICTED TO: -

MATERIAL: - , FINISH: - , WEIGHT: - , SCALE: 4:1, SHEET: 1 OF 1, REV: B

Customer Drawing