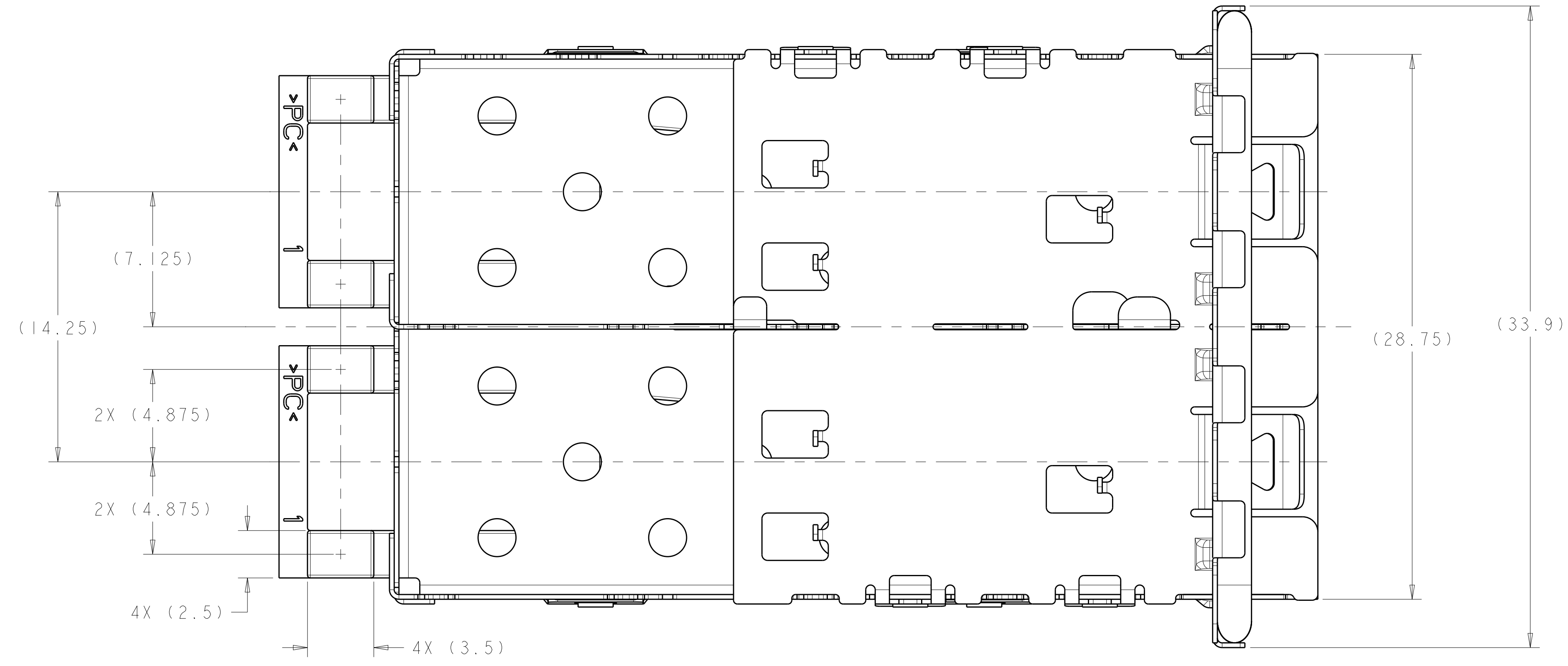
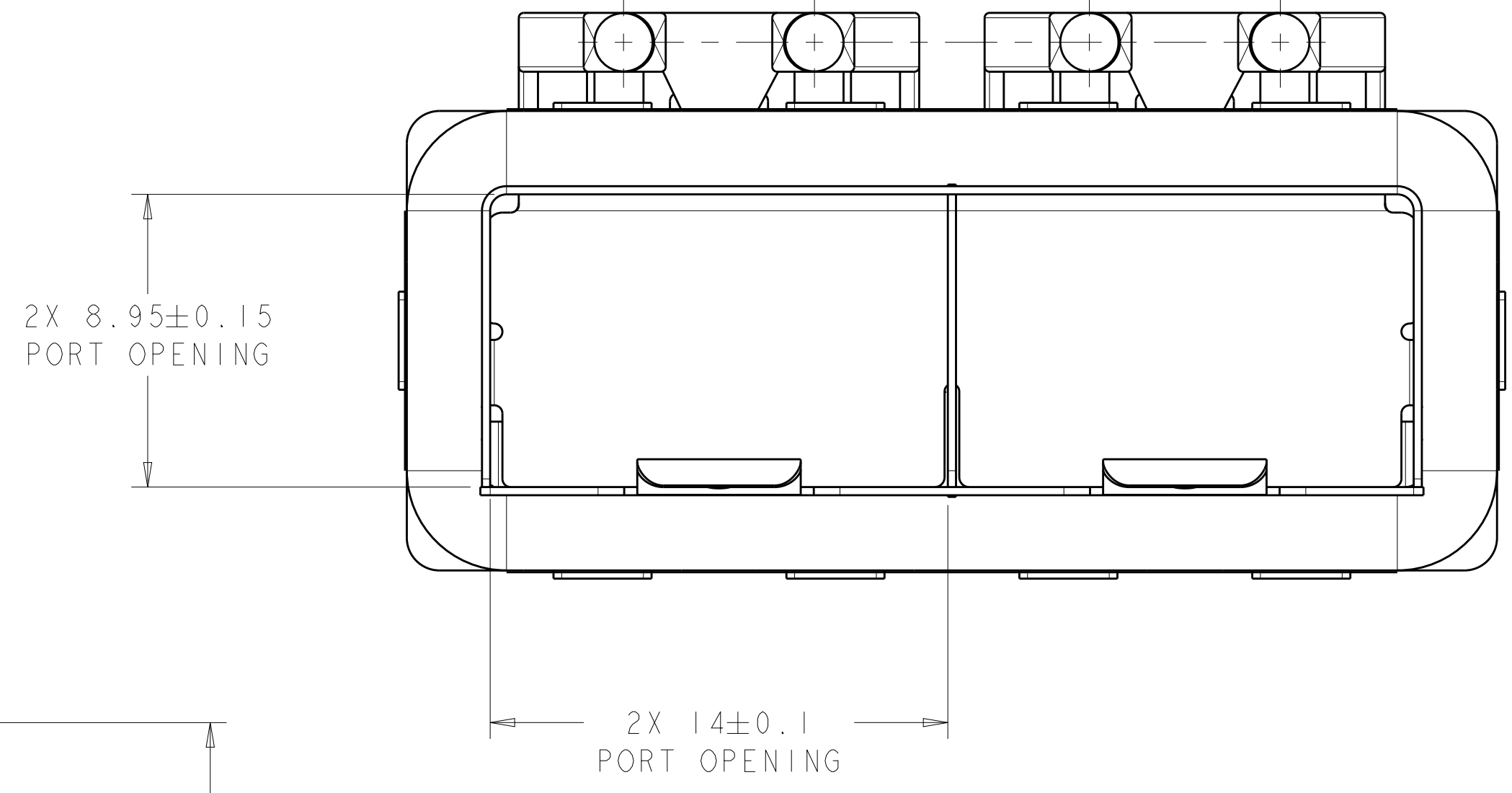
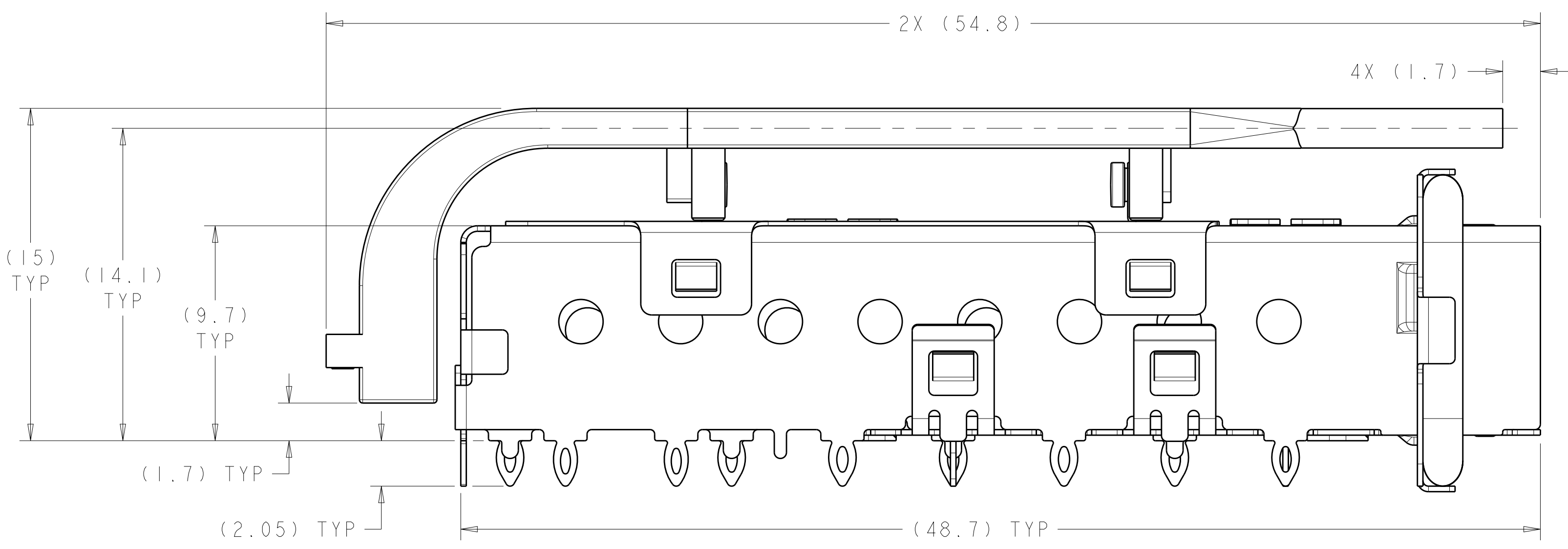
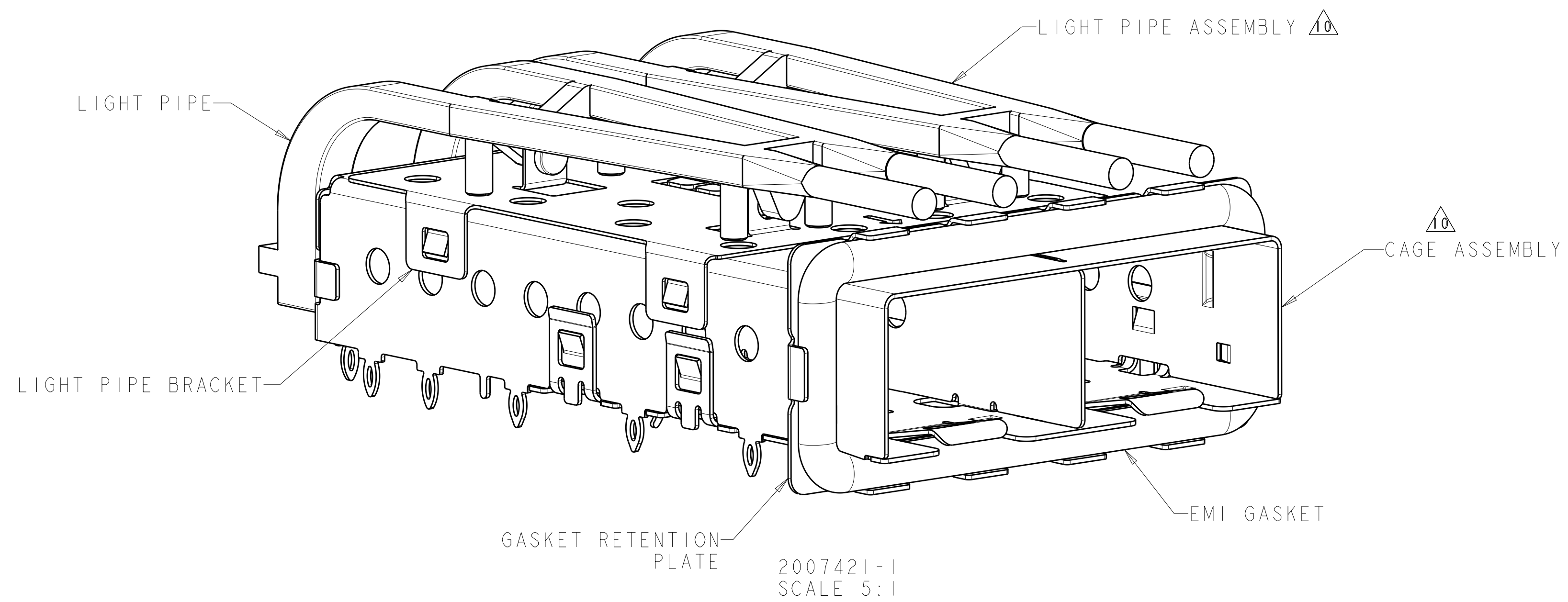


LOC	DIST	REVISIONS					
GP	00	P	LTN	DESCRIPTION	DATE	DWN	APVD
		B		RELEASED PER ECO-09-022874	90CT2009	ZMR	MRS
		C		REVISED PER ECO-10-004036	01MAR2010	CJV	MRS
		D		REVISED PER ECO-12-014021	10DEC2012	TD	AC



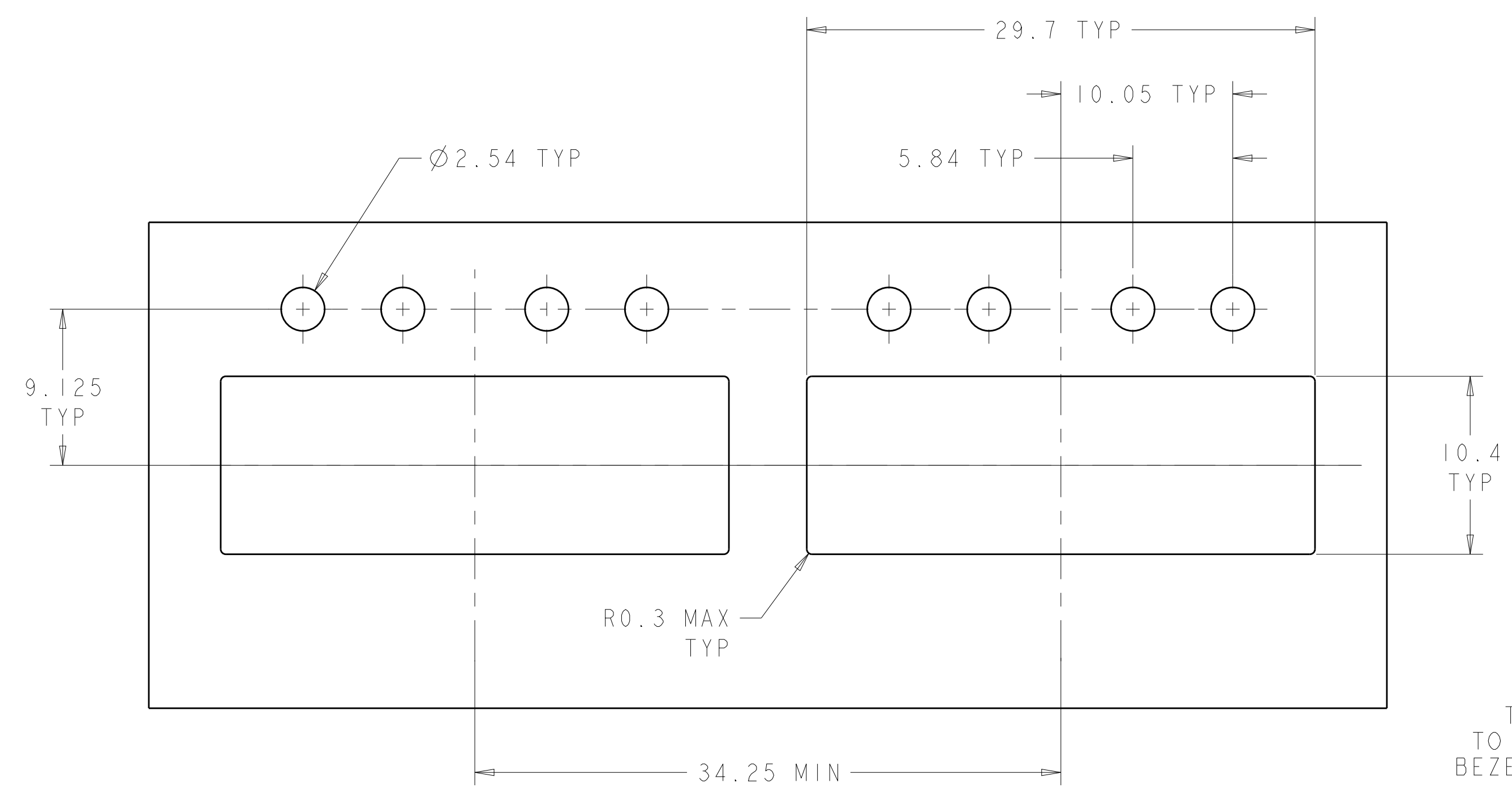
- △ MATERIAL:  
CAGE ASSEMBLY - 0.25mm THICK NICKEL SILVER ALLOY  
GASKET RETENTION PLATE - STAINLESS STEEL  
EMI GASKET - PLATED FILLED SILICONE  
LIGHT PIPE - POLYCARBONATE, CLEAR
- △ DATUM AND BASIC DIMENSION ESTABLISHED BY CUSTOMER.
- 3. MATES WITH SFP MSA COMPLIANT TRANSCEIVERS.
- △ PADS AND VIAS CHASSIS GROUND.
- 5. INTERPRETATION OF DATUM REFERENCE FRAME IN ACCORDANCE WITH SECT 4.4.1.1 OF ASME Y14.5M-1994.
- △ MINIMUM PC BOARD THICKNESS = 1.50mm.
- △ HOLE PATTERN REPEATS FOR EACH PORT. SPACING BETWEEN PORTS IS 14.25mm.
- △ REFERENCE APPLICATION SPEC. 114-13120, HOLE A, FOR RECOMMENDED DRILL HOLE DIAMETER AND PLATING THICKNESS.
- △ REFERENCE APPLICATION SPEC. 114-13120, HOLE B, FOR RECOMMENDED DRILL HOLE DIAMETER AND PLATING THICKNESS.
- △ 2007181-1, CAGE ASSEMBLY, AND 2007182-1, LIGHT PIPE ASSEMBLY ARE PACKAGED TOGETHER AS A COMPLETED ASSEMBLY.
- 11. PRODUCT COMPLIES WITH SPECIFICATION SFF-8433 IMPROVED PLUGGABLE FORM FACTOR FOR SFP+ GANGED CAGES.



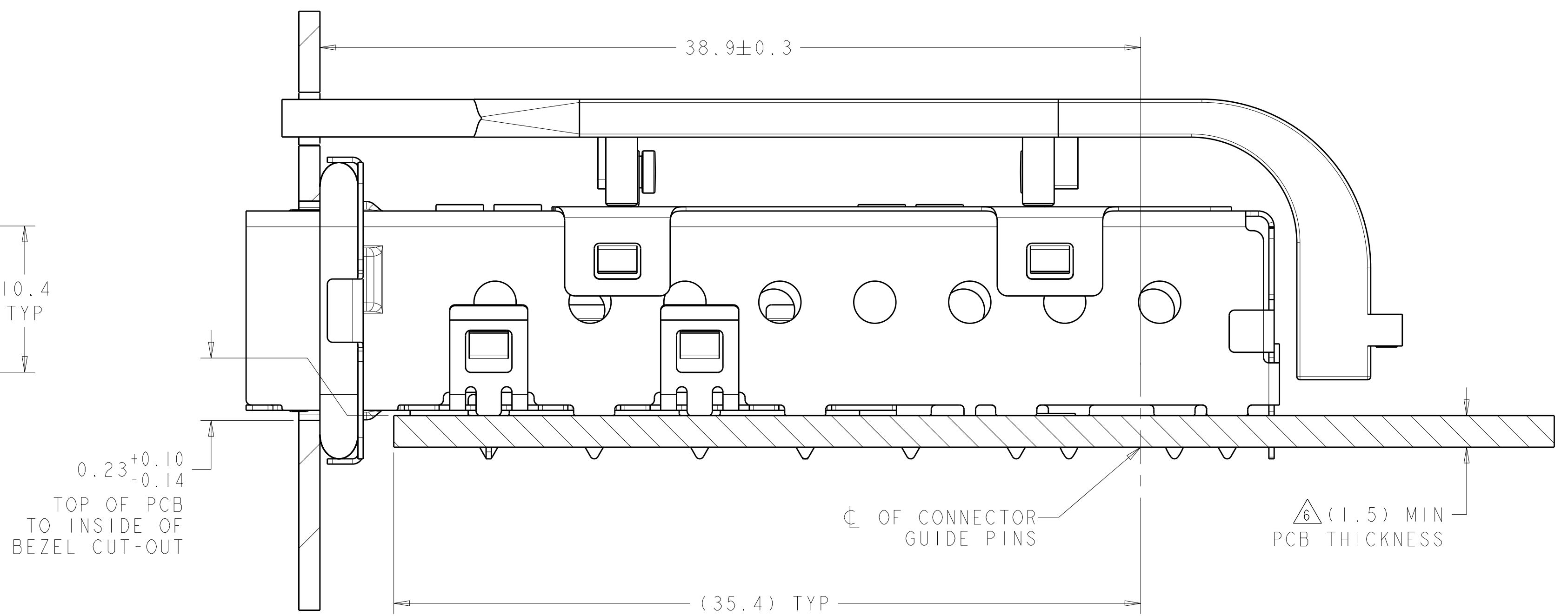
2007421-1  
PART NUMBER

<small>THIS DRAWING IS UNPUBLISHED. RELEASED FOR PUBLICATION. COPYRIGHT 20 BY TYCO ELECTRONICS CORPORATION. ALL RIGHTS RESERVED.</small>		DWN: Z.M.REAM 2NOV2007 CHK: M.R.SCHMITT 2NOV2007 APVD: B.H.WERTZ 2NOV2007	Tyco Electronics Harrisburg, PA 17105-3608
DIMENSIONS: mm 	TOLERANCES UNLESS OTHERWISE SPECIFIED: 0 PLC ±0.1 1 PLC ±0.1 2 PLC ±0.1 3 PLC ±0.1 4 PLC ±0.1 ANGLES ±1°	PRODUCT SPEC: 108-2364 APPLICATION SPEC: 114-13120 WEIGHT: - Customer Drawing	NAME: SFP+ 1X4 CAG ASSEMBLY PRESS FIT, EMI GASKET W/ LIGHT PIPES SIZE: A1 CAGE CODE: 00779 DRAWING NO: 2007421 RESTRICTED TO: - SCALE: 6:1 SHEET 1 OF 3 REV D

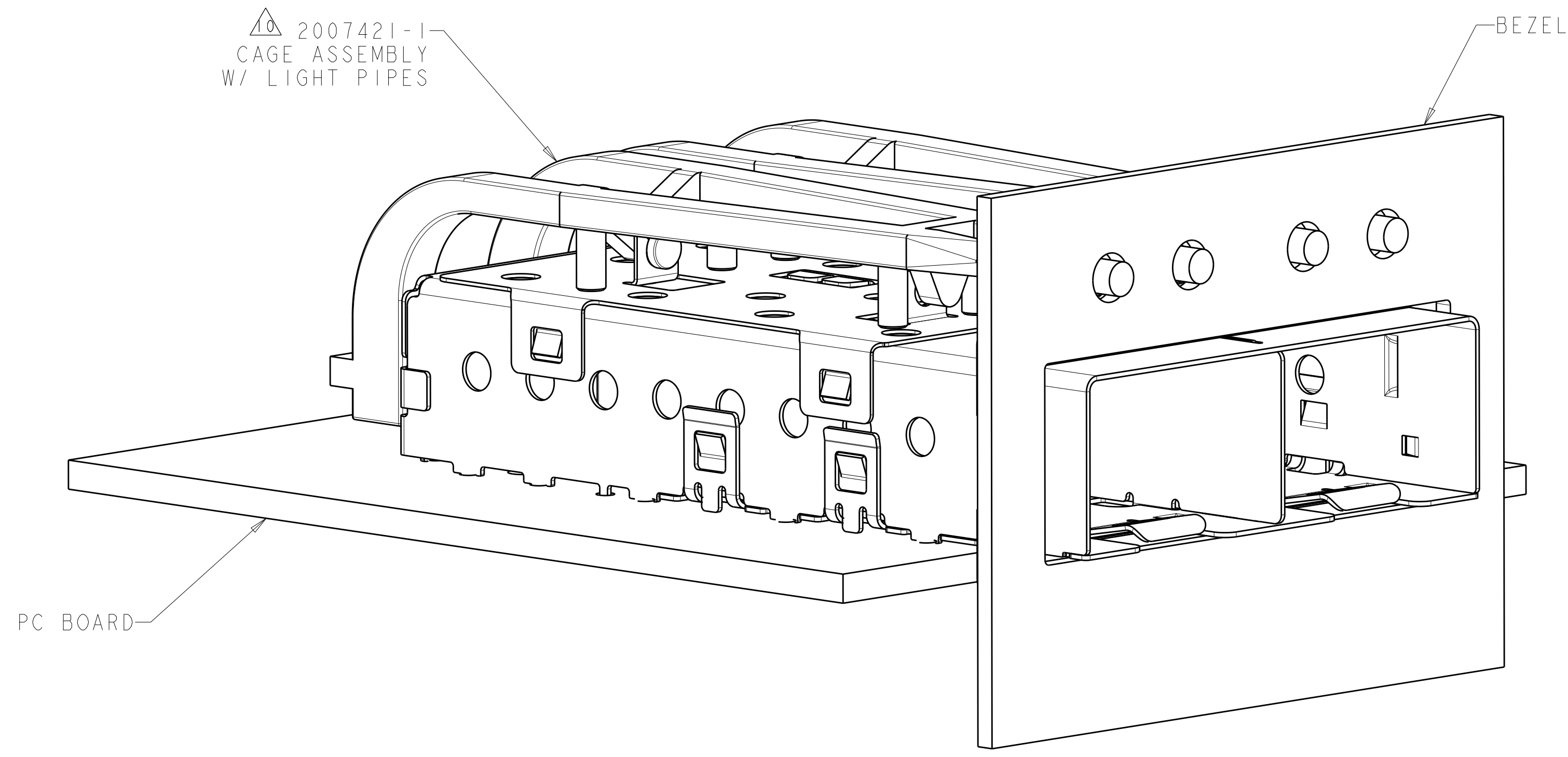
LOC	DIST	REVISIONS			
P	LTN	DESCRIPTION	DATE	DWN	APVD
GP	00	SEE SHEET 1			



RECOMMENDED BEZEL CUT-OUT  
SCALE 4:1



2007421-1  
MOUNTED ON PCB SHOWN  
THRU RECOMMENDED BEZEL



2007421-1  
MOUNTED ON PCB SHOWN  
THRU RECOMMENDED BEZEL  
SCALE 5:1

<small>THIS DRAWING IS UNPUBLISHED. RELEASED FOR PUBLICATION BY TYCO ELECTRONICS CORPORATION. ALL RIGHTS RESERVED.</small> <small>IT IS THE BUYER'S RESPONSIBILITY TO CONTACT THE SUPPLIER FOR THE LATEST REVISIONS.</small>		DWN: Z.M. REAM 2NOV2007 CHK: M.R. SCHMITT 2NOV2007 APVD: R.H. WERTZ 2NOV2007	Tyco Electronics Harrisburg, PA 17105-3608
DIMENSIONS: mm 	TOLERANCES UNLESS OTHERWISE SPECIFIED: 0 PLC ±0.1 1 PLC ±0.1 2 PLC ±0.1 3 PLC ±0.1 4 PLC ±0.1 ANGLES ±1°	NAME: SFP+ 1X4 CAG ASSEMBLY PRESS FIT, EMI GASKET W/ LIGHT PIPES PRODUCT SPEC: 108-2364 APPLICATION SPEC: 114-13120	SIZE: A1 CAGE CODE: 00779 DRAWING NO: 2007421 RESTRICTED TO: -
MATERIAL:	FINISH:	WEIGHT:	Customer Drawing
SCALE: 6:1		SHEET: 2 OF 3	REV: D

