

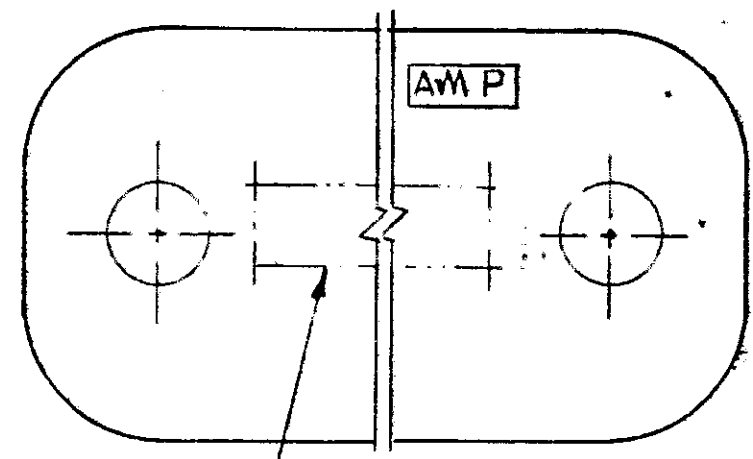
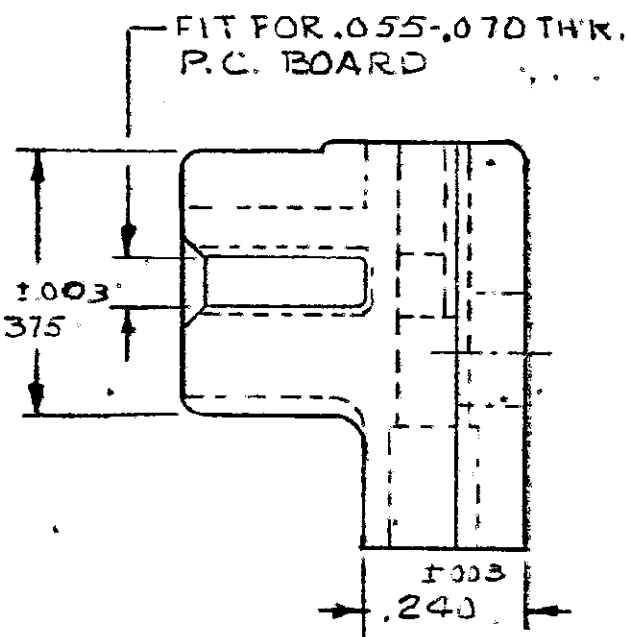
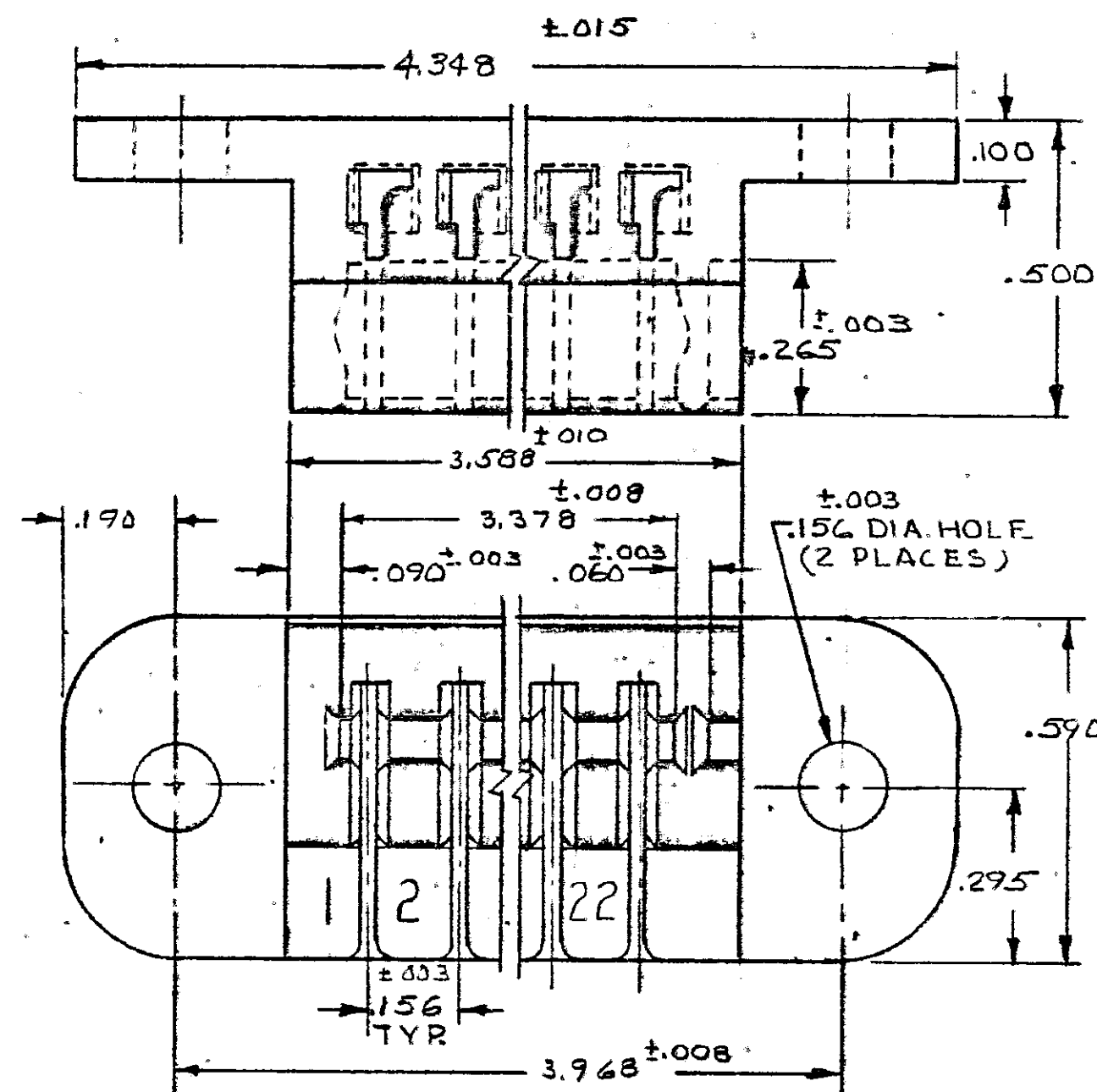
DRAWING MADE IN AMERICAN PROJECTION

© 1962 BY AMP INCORPORATED. ALL RIGHTS RESERVED. AMP PRODUCTS COVERED BY PATENTS AND OR PATENTS PENDING.

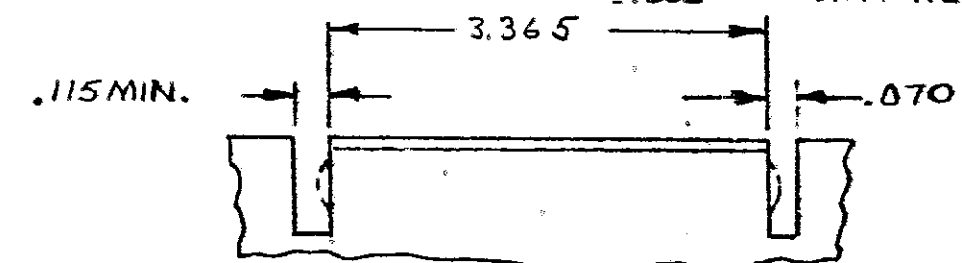
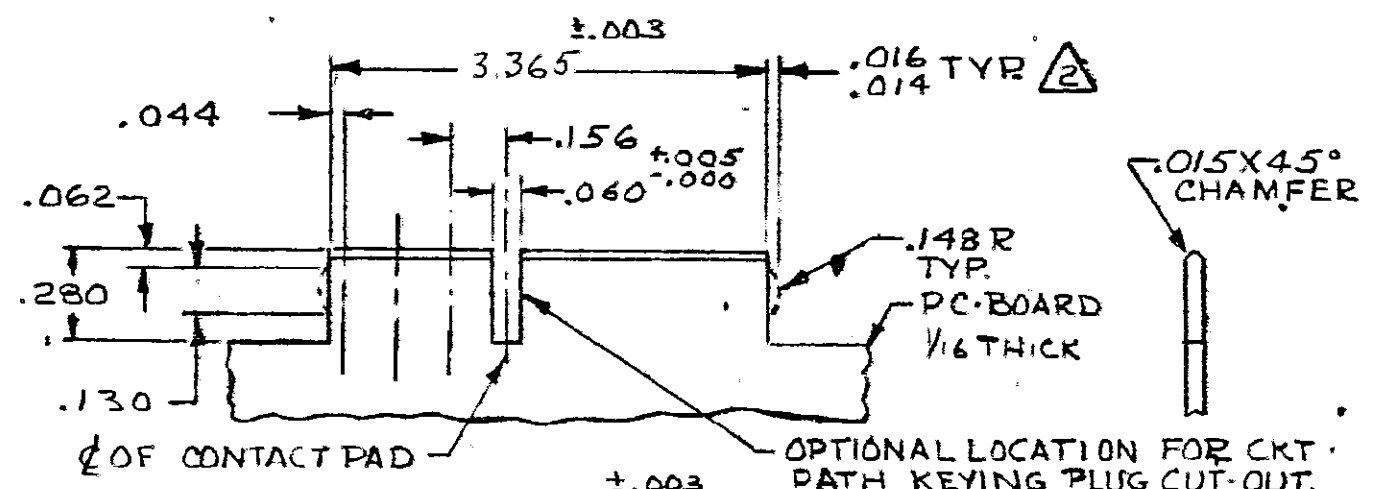
REVISIONS				
ZONE	LTR	DESCRIPTION	DATE	APPROVED
	H1	REDRAWN WITHOUT CHANGE	3588 DR 2-8-72	JH
	J	REV PER AD 1746	9-31-77	LB/WALK
	K	REV PER 0010-1143-95	11-95	P.B.
	L	REV PER EC 0G3C-233-01	08OCT01	MM

PART N <sup>o</sup> .	COLOR.
<del>582388</del> 1	BROWN
<del>582388</del> 2	RED
<del>582388</del> 3	ORANGE
<del>582388</del> 4	YELLOW
<del>582388</del> 5	GREEN
<del>582388</del> 6	BLUE
<del>582388</del> 7	VIOLET
<del>582388</del> 8	GRAY
<del>582388</del> 9	NATURAL
<del>582388</del> 0	BLACK

OBSOLETE



PART N<sup>o</sup> & DATE CODE MARKED OR MOLDED IN THIS AREA. DATE CODE (OPTIONAL)



OPTIONAL CUT-OUTS.

1. REFER TO 60215 & 583284 FOR TERMINAL.
2. THE RETAINING DIMPLES ARE OPTIONAL IN BOTH CUT-OUTS.
3. CARD SLOT AND MOUNTING HOLE DIMENSIONS TO BE CHECKED WITH HOUSING RESTRAINED. (AS MOUNTED)

UNLESS OTHERWISE SPECIFIED, DIMENSIONS ARE IN INCHES TOLERANCES ON DECIMALS ± .005 ANGLES ±	CONTRACT NO.	AMP INCORPORATED HARRISBURG, PENNSYLVANIA
	DR <i>W. H. Hilde</i> 2-8-72 CHG <i>S. S. Heide</i> 2-21-72 APPD <i>D. J. Bushey</i> 2-22-72 REL <i>R. Shuman</i> 2-22-72	
MATERIAL NYLON	NAME HOUSING, DUS-TYNE FLAG, WITH MOUNTING HOLES, 22 POSITION.	SIZE CODE IDENT NO. NUMBER C .00779 582388
OTHER APPD	SCALE: 4-1	SHEET 1 OF 1

NUMBER 582388