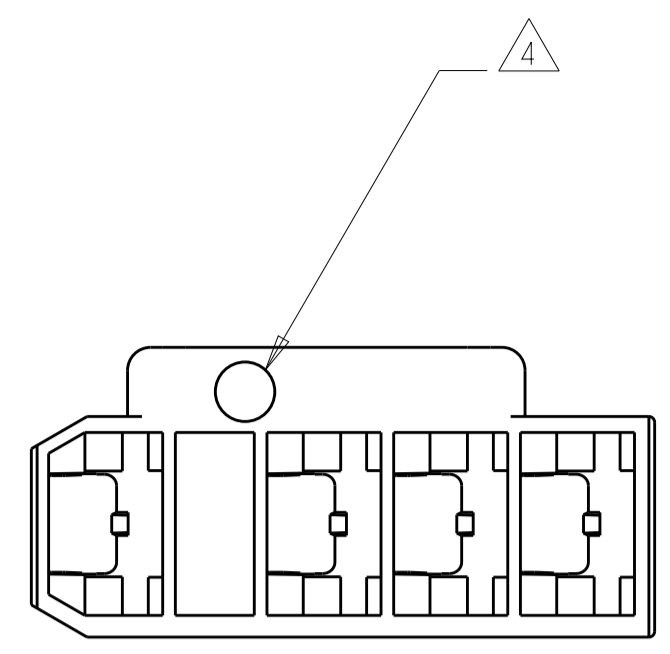
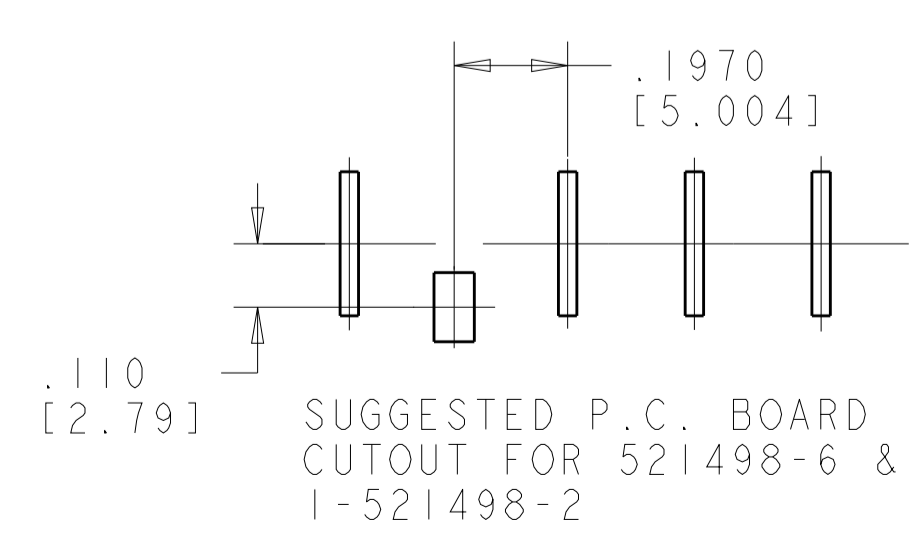
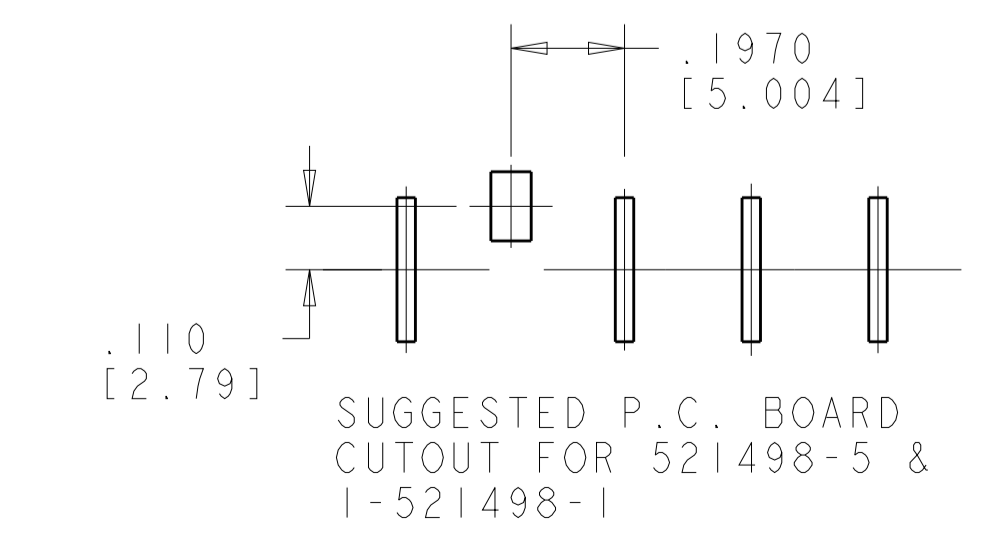
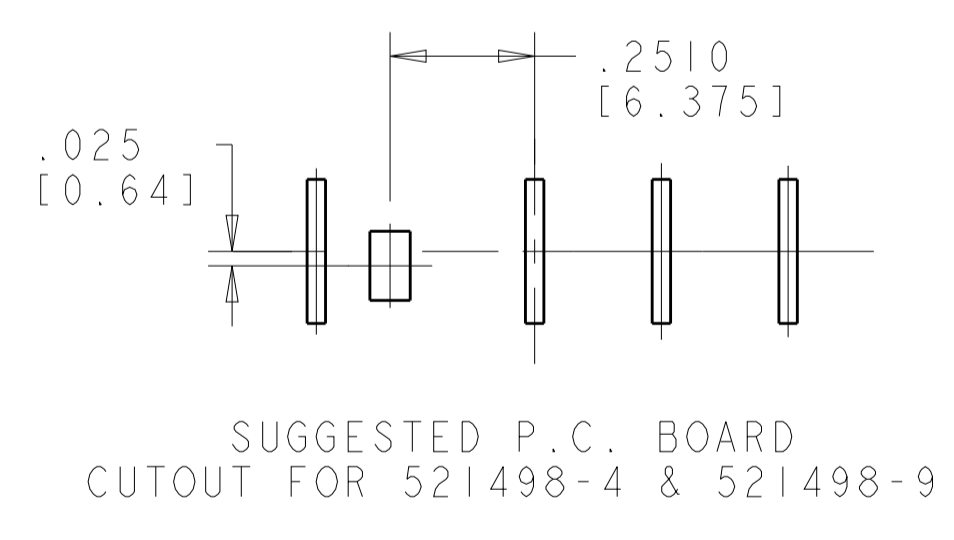
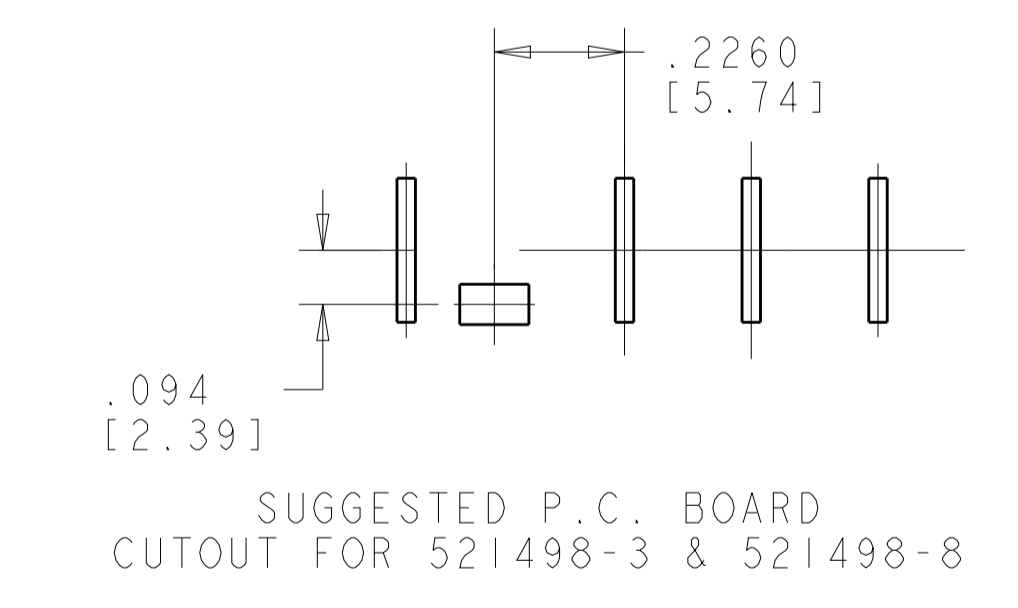
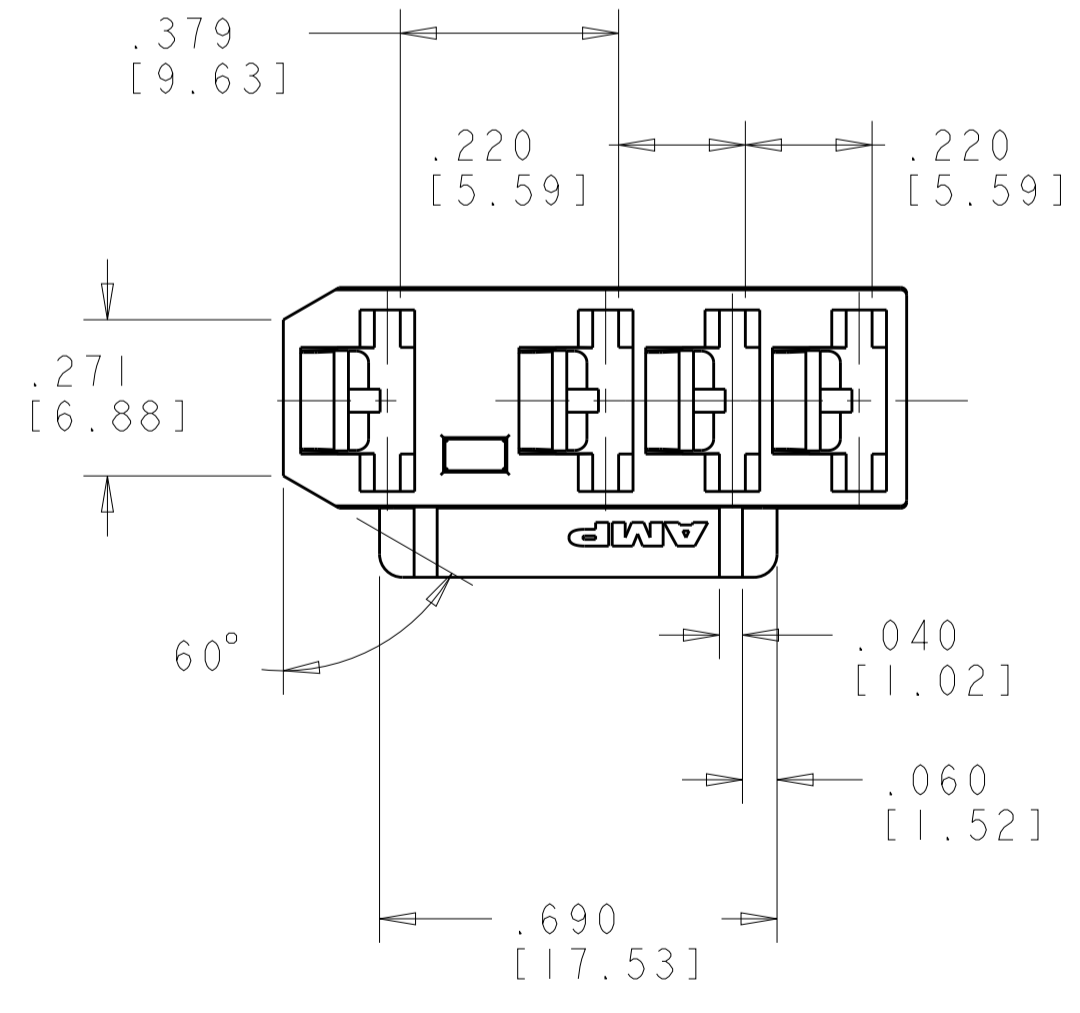
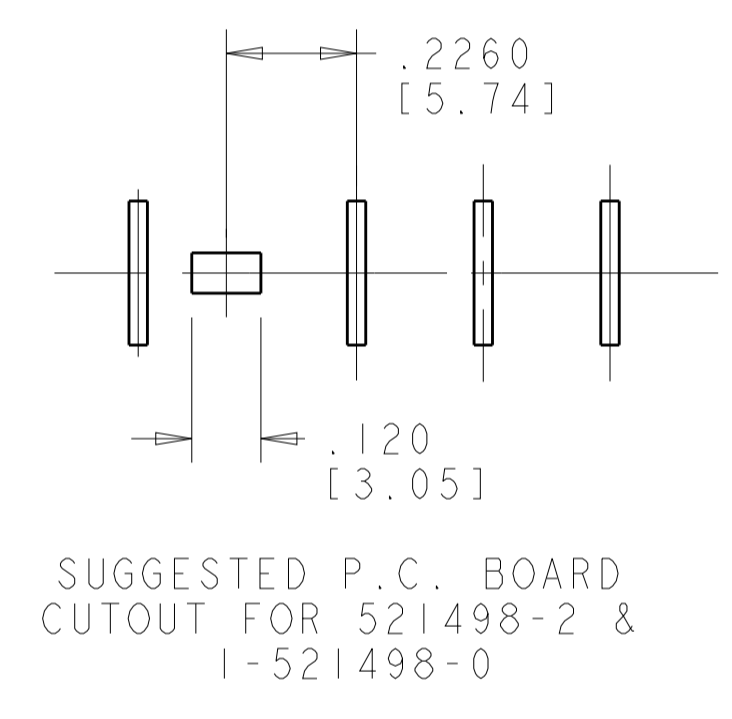
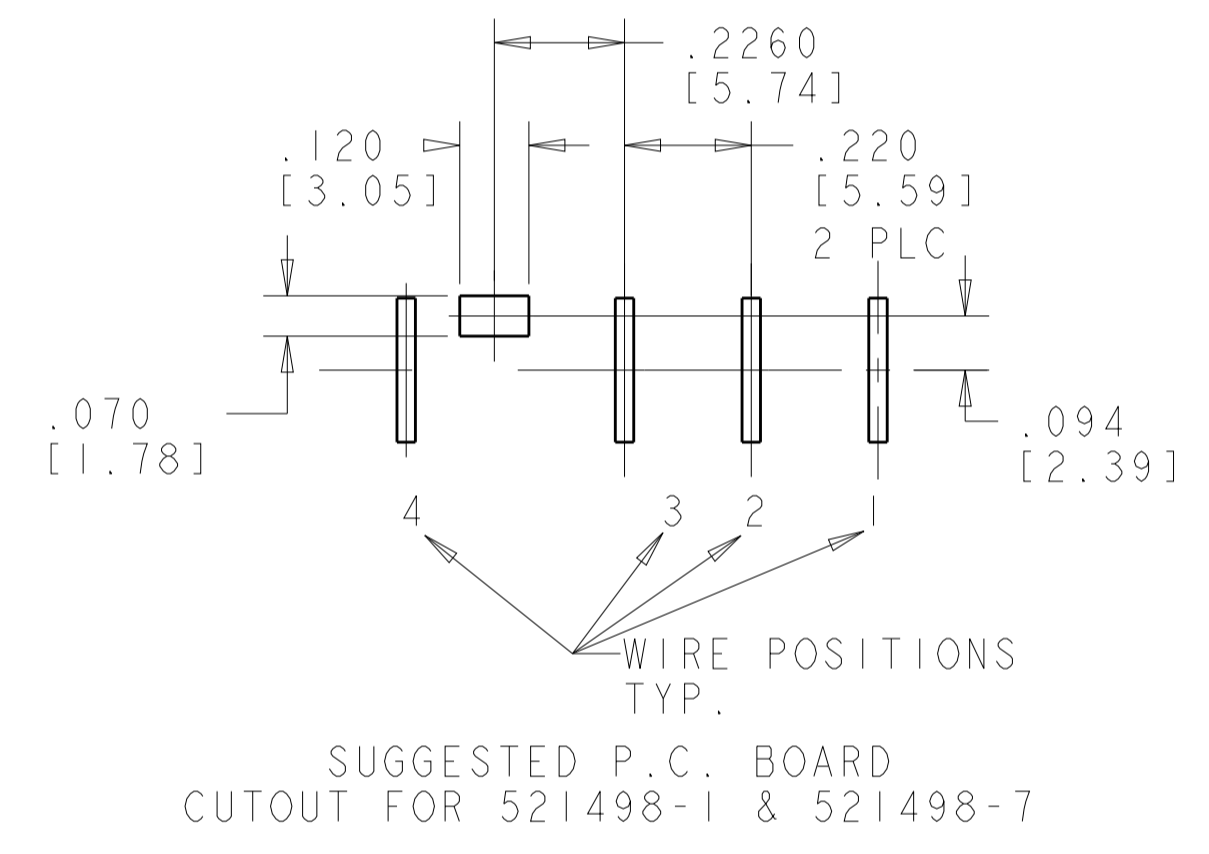
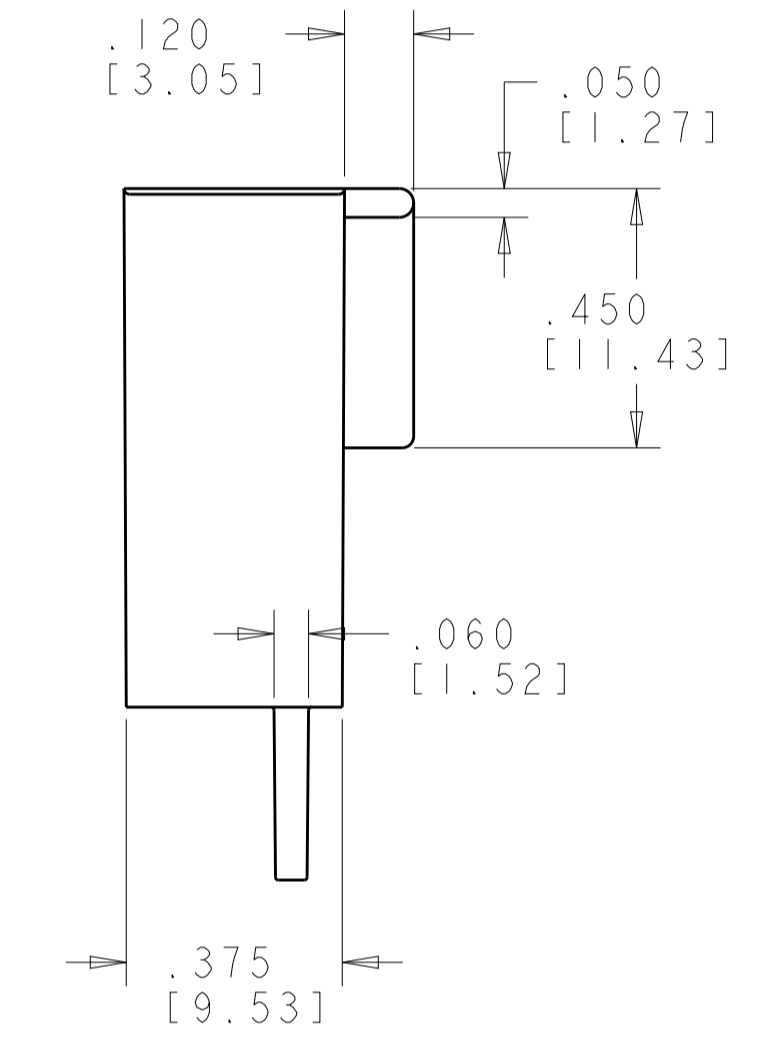
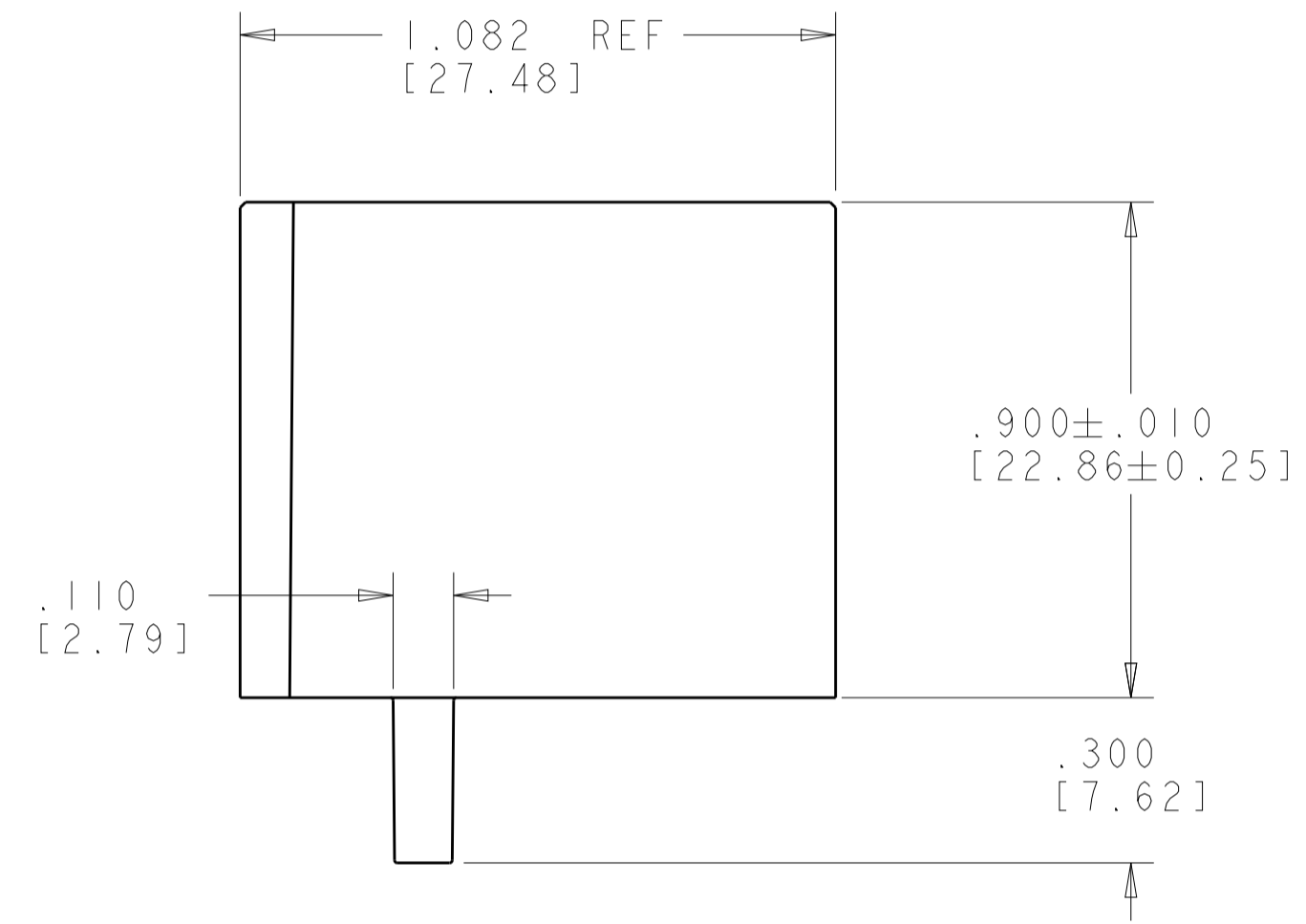


REVISIONS				
P.	LTN	DESCRIPTION	DATE	APP'D
N		REVISED PER ECR-18-006282	25MAY2018	BDA DS



- FOR USE WITH TYCO ELECTRONICS 250 SERIES LOW INSERTION RECEPTACLES
- ALL SUGGESTED P.C. BOARD CUTOUTS ARE SHOWN FROM THE COMPONENT SIDE.
- V-0 LETTERS THIS LOCATION FOR -7 THRU -12 PARTS ONLY.
- BLUE COLOR MAY APPEAR GRAY
- 521498-7: BLUE PARTS MAY APPEAR MEDIUM BLUE TO LIGHT BLUE TO LIGHT GRAY IN COLOR AND MAY ALSO EXHIBIT A MARBLING EFFECT.
- 521498-8: YELLOW PARTS MAY APPEAR LIGHT YELLOW TO LIGHT BEIGE IN COLOR AND MAY ALSO EXHIBIT A MARBLING EFFECT.
- 1-521498-0: GREEN PARTS MAY APPEAR MEDIUM GREEN TO VERY LIGHT GREEN (MINT) IN COLOR AND MAY ALSO EXHIBIT A MARBLING EFFECT.
- 1-521498-2: RED PARTS MAY APPEAR DARK PINK, MEDIUM PINK, OR LIGHT PINK IN COLOR AND MAY ALSO EXHIBIT A MARBLING EFFECT.
- OBSELETE PARTS
- PARTS MAY APPEAR MEDIUM COLORED TO LIGHT COLORED AND EXHIBIT A MARBLING EFFECT.



△ SUPERSEDED BY 2-521498-2

SUPERSEDED △

BLACK	NYLON V0 BLACK	2-521498-9
YELLOW	NYLON V0 YELLOW	2-521498-8
BLUE	NYLON V0 BLUE	2-521498-7
RED △	NYLON V0 RED	2-521498-2
GREEN	NYLON V0 GREEN	2-521498-0
RED	NYLON, V-0 △	1-521498-2
WHITE	NYLON, V-0 △	1-521498-1
GREEN	NYLON, V-0 △	1-521498-0
BLACK	NYLON, V-0 △	521498-9
YELLOW	NYLON, V-0 △	521498-8
BLUE	NYLON, V-0 △	521498-7
RED	NYLON, V-2	521498-6
WHITE	NYLON, V-2	521498-5
BLACK	NYLON, V-2	521498-4
YELLOW	NYLON, V-2	521498-3
GREEN	NYLON, V-2	521498-2
BLUE	NYLON, V-2	521498-1
COLOR	MATERIAL	PART NUMBER

THIS DRAWING IS A CONTROLLED DOCUMENT.

OWN: R. FLAIG 01OCT2002
 CHK: P. DESANTIS 01OCT2002
 APP'D: P. DESANTIS 01OCT2002

DIMENSIONS: INCHES[mm]

TOLERANCES UNLESS OTHERWISE SPECIFIED:
 0 PLC ±
 1 PLC ±
 2 PLC ±
 3 PLC ±.005[0.13]
 4 PLC ±
 ANGLES ±1°
 FINISH

APPLICATION SPEC: -
 CUSTOMER DRAWING

NAME: HOUSING, RECEPTACLE FASTON, .250 [6.35] SERIES

SIZE: A1 00779 C=521498

SCALE: 3:1 SHEET 1 OF 1 REV N

RESTRICTED TO