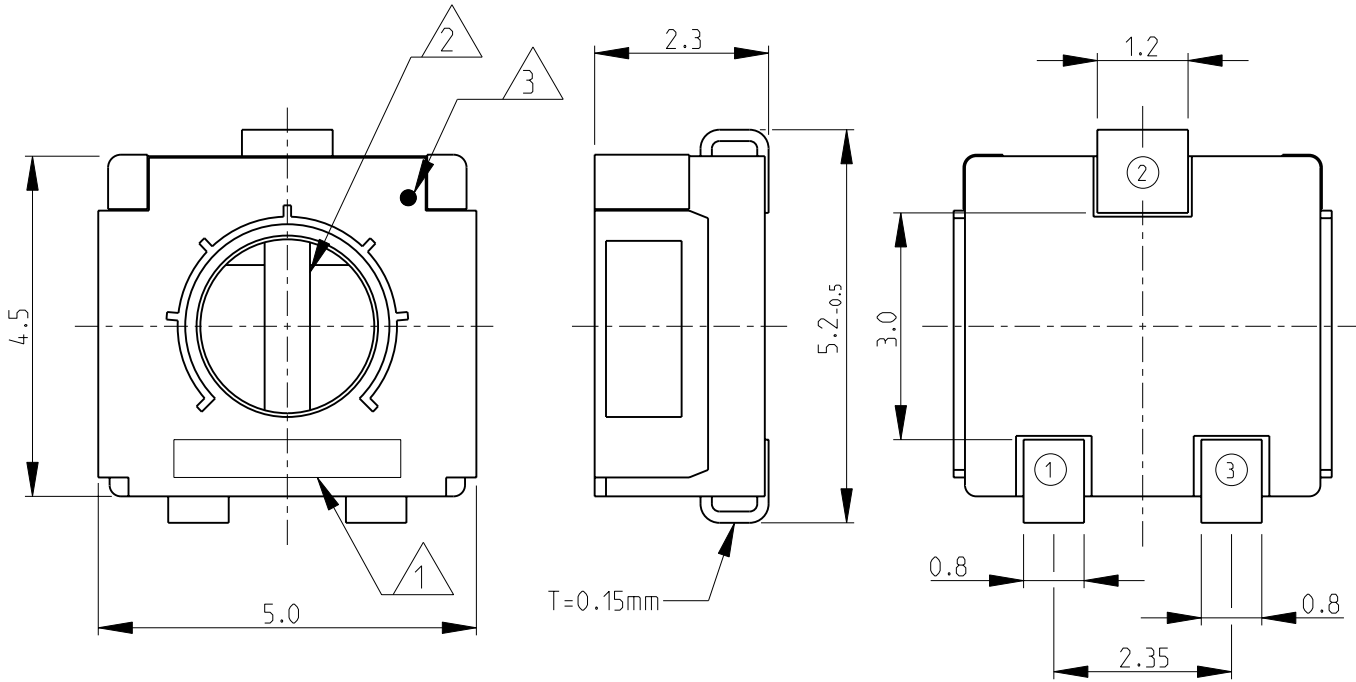
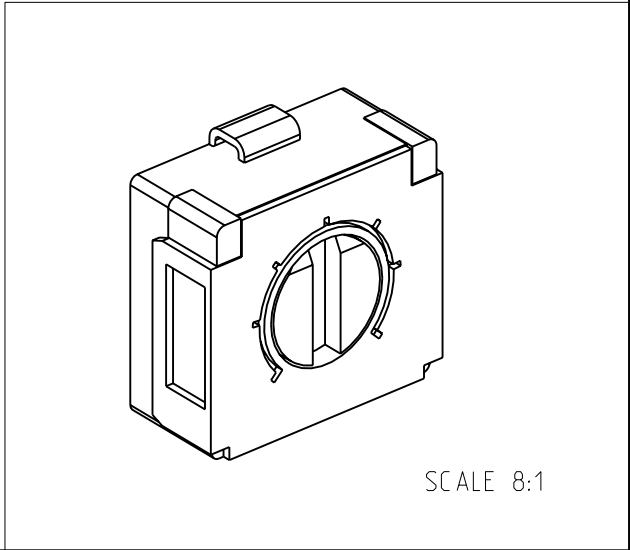


LOC	DIST	REVISIONS					
E	B	P	LTR	DESCRIPTION	DATE	DWN	APVD
			BA	NEW RELEASE	13-NOV-08	SM	St.P



RoHS Compliant

- 1 RESISTANCE / DATE CODE
- 2 ADJUSTMENT SLOT:  
WIDTH- 0.6mm, LENGTH- 2.3mm, DEPTH- 0.5mm
- 3 LEAD-FREE IDENTIFICATION MARK
- 4 FOR FURTHER INFORMATION SEE DATA SHEET FOR  
3315 SERIES-SMD PROFESSIONAL TRIMMERS



2008

RELEASED FOR PUBLICATION

THIS DRAWING IS UNPUBLISHED.

BY TYCO ELECTRONICS CORPORATION. ALL RIGHTS RESERVED.  
COPYRIGHT 2008

DIMENSIONS: mm	DWN	13-NOV-08	MATERIAL	-	FINISH	-	
	CHK	13-NOV-08	Tyco Electronics Corporation Dorcan, Swindon, SN3 5HH				
TOLERANCES UNLESS OTHERWISE SPECIFIED:	APVD	13-NOV-08					NAME
	0 PLC	±0.2	PRODUCT SPEC	SIZE	CAGE CODE	DRAWING NO	RESTRICTED TO
1 PLC	±0.1	-	APPLICATION SPEC	A 4	00779	© = 1623905	-
2 PLC	±-	-	WEIGHT	0.12g			-
3 PLC	±-	-	CUSTOMER DRAWING				SCALE 10:1
4 PLC	±-	-					SHEET 1 OF 1
ANGLES	±5°	-					REV BA