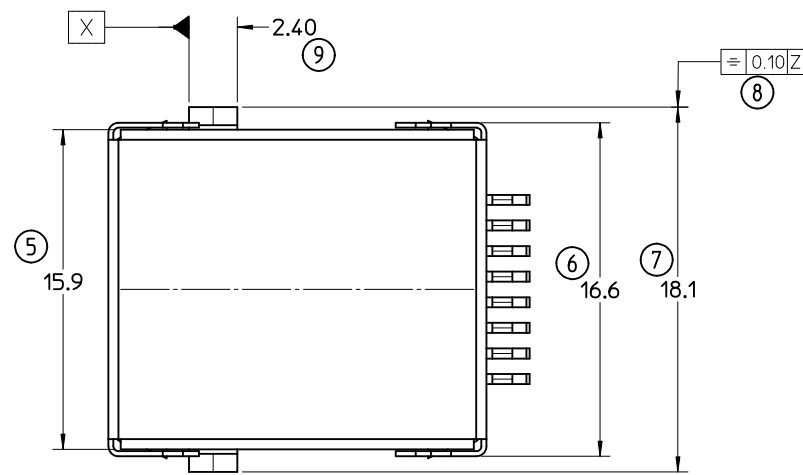
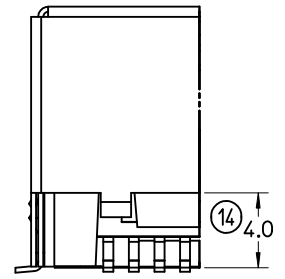
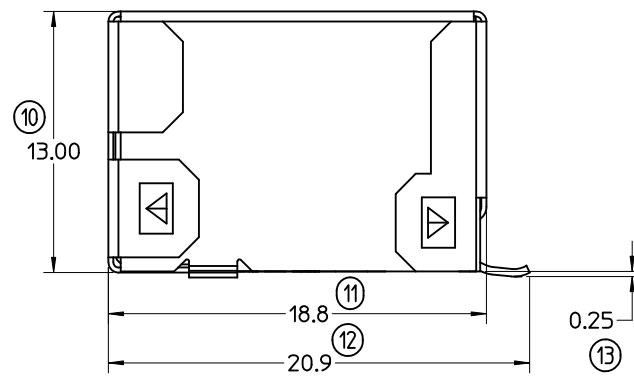
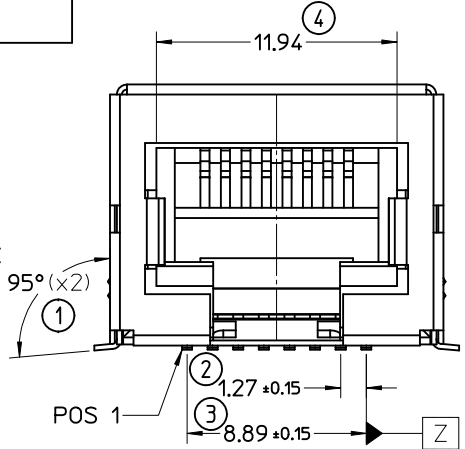


PART No.	
95622-4883	



- NOTES:
- JACK FOR MATING WITH SHIELDED PLUG (MOLEX 95043 AND 85568 SERIES)
 - PRODUCT SPECIFICATION: PS-95622-001
 - PACKAGING SPECIFICATION: PK-95122-002 (BLISTER ON REEL)
 - COPLANARITY OF SIGNAL LEADS: 0.10MAX
 - RECOMMENED PCB THICKNESS 1.57

LAST INSPECTION No: 15



PARTIAL1
 Scale 4:1

TECHNICAL SPECIFICATIONS:
 MATERIAL:

HOUSING: LCP GLASS FILLED UL 94V-0, COLOUR BLACK.
 TERMINAL: COPPER ALLOY PLATED WITH:
 BASE FINISH: NICKEL
 CONTACT SURFACE FINISH:
 GOLD
 OR
 GOLD FLASH OVER PALLADIUM NICKEL.
 EXCEEDS PRODUCT REQUIREMENTS BASED ON PS-95622-001
 SHIELD: COPPER ALLOY PLATED WITH TIN.

REMOVED OPTION	DESCRIPTION
EC NO: IPG2012-0746	
DRW:DBYRNES	2012/04/17
CHKD:	
APPR:EFOLAN	2012/06/26
REV	

QUALITY SYMBOLS
$\blacktriangledown = 0$
$\nabla = 0$

GENERAL TOLERANCES (UNLESS SPECIFIED)	mm	INCH
4 PLACES	± ---	± ---
3 PLACES	± ---	± ---
2 PLACES	± 0.25	± ---
1 PLACE	± 0.35	± ---
ANGULAR ± 2 °		
DRAFT WHERE APPLICABLE MUST REMAIN WITHIN DIMENSIONS		

DIMENSION STYLE		SCALE	DESIGN UNITS	THIRD ANGLE PROJECTION
MM ONLY		4:1	METRIC	
DRAWN BY	DATE	TITLE		
DBYRNES	2006/07/27	FULLY SHIELDED TRUE SMT RIGHT ANGLE MODULAR JACK 8 CIRCUIT		
CHECKED BY	DATE	MOLEX INCORPORATED		
EOMAHONY	2006/07/28	DOCUMENT NO. SD-95622-008		
APPROVED BY	DATE	SHEET NO. 1 OF 1		
EOMAHONY	2006/07/28	THIS DRAWING CONTAINS INFORMATION THAT IS PROPRIETARY TO MOLEX INCORPORATED AND SHOULD NOT BE USED WITHOUT WRITTEN PERMISSION		
MATERIAL NO.	SIZE			
	A3			