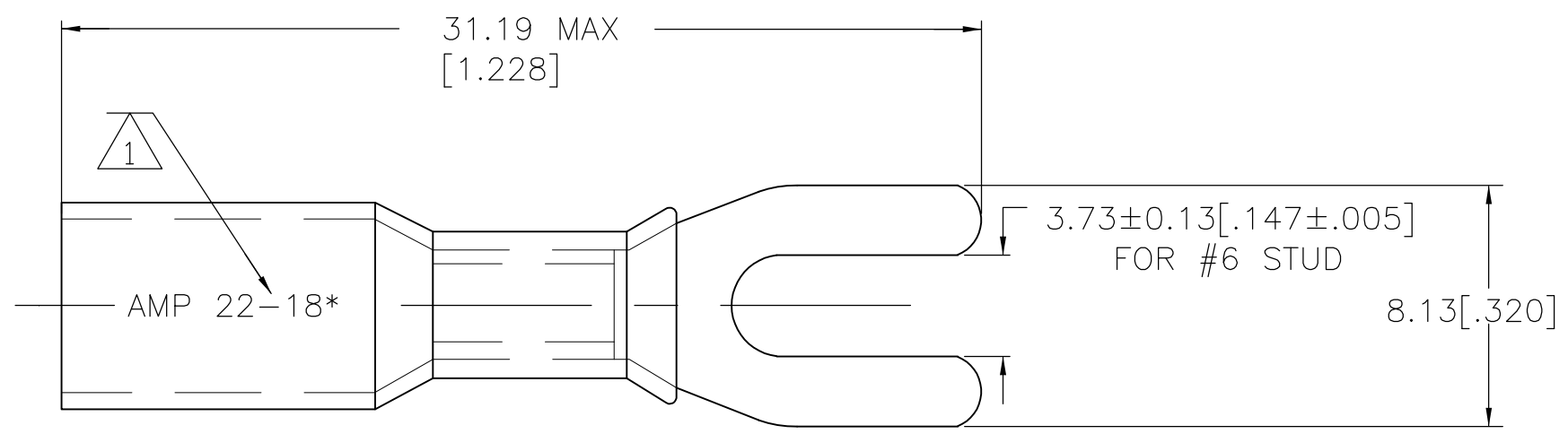
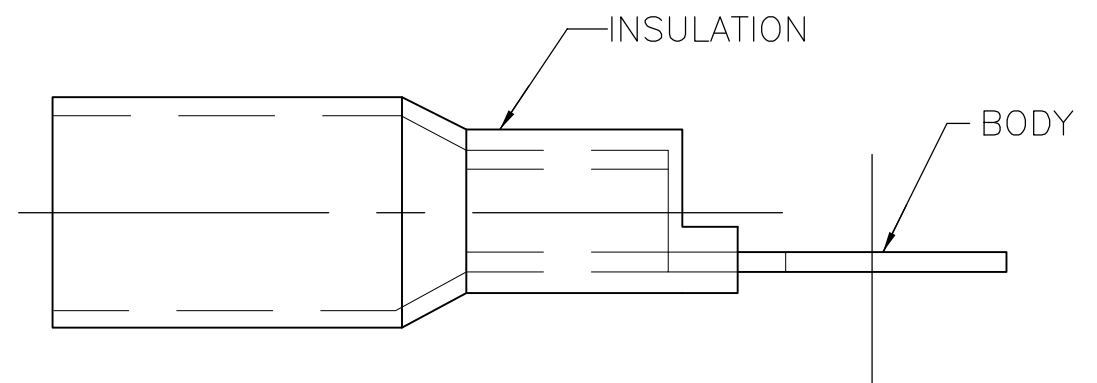


THIS DRAWING IS UNPUBLISHED. RELEASED FOR PUBLICATION  
 © COPYRIGHT BY TYCO ELECTRONICS CORPORATION. ALL INTERNATIONAL RIGHTS RESERVED.

LOC	DIST	REVISIONS					
G	14	P	LTR	DESCRIPTION	DATE	DWN	APVD
		D		REVISED PER ECR-09-027352	18FEB10	JR	TM



- △ 1 STAMP AMP 22-18\* APPROX AS SHOWN
- 2 WIRE INSULATION DIA 4.32[.170] MAX
- 3 TONGUE MATERIAL THK 0.76±0.05 [.030±.002]
- △ 4 SUPERSEDED BY 8-55866-2



<b>AMP</b> WIRE RANGE
22-18 AWG STRANDED

50	LOOSE PIECE	8-55866-2
1000	LOOSE PIECE	△ 4 55866-1
QTY	PACKAGE TYPE	PART NO

<b>AMP INCORPORATED CUSTOMER SERVICE SYSTEMS</b>		<b>MAX RECOMMENDED OPERATING TEMPERATURE:</b> 125° C MAX	THIS DRAWING IS A CONTROLLED DOCUMENT.		DWN S S GOULDEN 6/93	<b>Tyco Electronics</b> Tyco Electronics Corporation Harrisburg, PA 17105-3608					
FOR ADDITIONAL PRODUCT INFORMATION OR COPIES OF DRAWINGS AND TECHNICAL DOCUMENTS	PRODUCT INFORMATION CENTER 1-800-522-6752	<b>VOLTAGE RATING:</b> 600 MAX	<b>DIMENSIONS:</b> mm [INCHES]	<b>TOLERANCES UNLESS OTHERWISE SPECIFIED:</b>	CHK R HERSEY 6/93	NAME TERMINAL, SPADE TONGUE, SEALABLE HEAT SHRINKABLE					
FOR APPLICATION TOOLING INFORMATION	TOOLING ASSISTANCE CENTER 1-800-722-1111	<b>CIRCULAR MIL AREA:</b> 0.26-0.96mm <sup>2</sup> [509-1900] STRANDED		0 PLC ± - 1 PLC ± - 2 PLC ± 0.20[.008] 3 PLC ± - 4 PLC ± - ANGLES ± -	APVD B BARE 6/93						
FOR ORDER ENTRY	1-800-526-5142	THIS DRAWING IS A CONTROLLED DOCUMENT FOR AMP INCORPORATED. IT IS SUBJECT TO CHANGE AND THE CONTROLLING ENGINEERING ORGANIZATION SHOULD BE CONTACTED FOR THE LATEST REVISION.		<b>MATERIAL</b> BODY: ETP COPPER INSULATION: POLYOLEFIN COLOR: RED	FINISH EDP TIN PLATED	PRODUCT SPEC -	APPLICATION SPEC 408-4022	SIZE A3	CAGE CODE 00779	DRAWING NO G-55866	RESTRICTED TO -
CUSTOMER DRAWING						WEIGHT -	SCALE NTS	SHEET 1 OF 1	REV D		