

# PCB Fuseclips for ATC/ATM Blade, 5mm, 1/4" & 13/32" Diameter Fuses

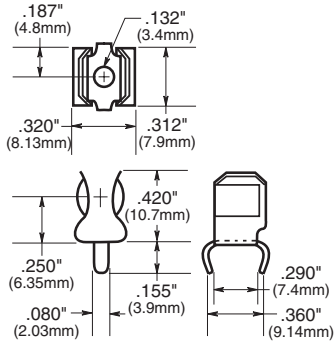
## 1AXXXX Series

### For 1/4" Diameter Fuses

#### 1A1119 Series

With End Stops and Angled-In leads

Dimensions - in (mm)



| Catalog Number* | Clip Mat.**                      | Finish     |
|-----------------|----------------------------------|------------|
| 1A1119-04       | High Performance Cu <sup>†</sup> | Bright Tin |
| 1A1119-05       | High Performance Cu <sup>†</sup> | Silver     |
| 1A1119-10       | Cart. Brass                      | Bright Tin |

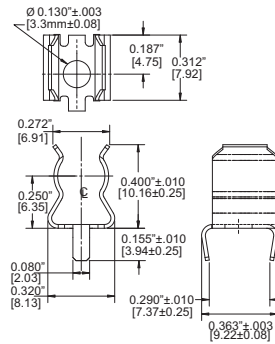
\* For RoHS compliant version of "-04" and "-10" add "-R" option code suffix to part number. 1A1119-05 is RoHS compliant.  
 \*\* High Performance Cu = High Performance Copper, Cart. Brass = Cartridge Brass  
 † High Performance Cu recommended for currents higher than 15 amps.



#### 1A1120 Series

Without End Stops and Angled-In Leads

Dimensions - in (mm)



| Catalog Number* | Clip Mat.**                      | Finish     |
|-----------------|----------------------------------|------------|
| 1A1120-02       | Cart. Brass                      | Bright Dip |
| 1A1120-05       | High Performance Cu <sup>†</sup> | Silver     |
| 1A1120-06       | High Performance Cu <sup>†</sup> | Bright Tin |
| 1A1120-09       | Cart. Brass                      | Bright Tin |

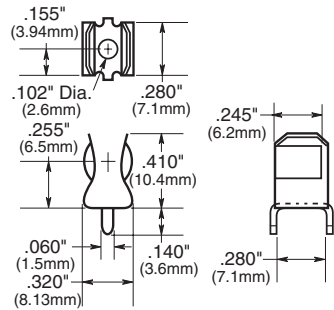
\* For RoHS compliant version of "-02," "-06" and "-09" add "-R" option code suffix to part number. 1A1120-05 is RoHS compliant.  
 \*\* High Performance Cu = High Performance Copper, Cart. Brass = Cartridge Brass  
 † High Performance Cu recommended for currents higher than 15 amps.



#### 1A1907 Series

With End Stops & Straight Leads

Dimensions - in (mm)



| Catalog Number* | Clip Mat.**                      | Finish             |
|-----------------|----------------------------------|--------------------|
| 1A1907-02       | Cart. Brass                      | None Bright Dipped |
| 1A1907-03       | High Performance Cu <sup>†</sup> | Bright Tin         |
| 1A1907-05       | High Performance Cu <sup>†</sup> | Silver             |
| 1A1907-06       | Cart. Brass                      | Bright Tin         |

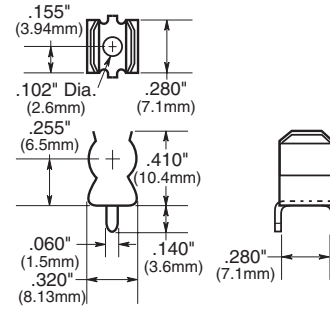
\* For RoHS compliant version of "-02," "-03" and "-06" add "-R" option code suffix to part number. 1A1907-05 is RoHS compliant.  
 \*\* High Performance Cu = High Performance Copper, Cart. Brass = Cartridge Brass  
 † High Performance Cu recommended for currents higher than 15 amps.



#### 1A3398 Series

Without End Stops & Straight Leads

Dimensions - in (mm)



| Catalog Number* | Clip Mat.** | Finish     |
|-----------------|-------------|------------|
| 1A3398-07       | Cart. Brass | Bright Tin |

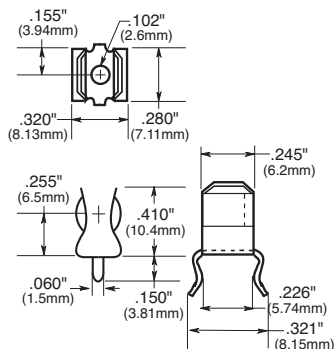
\* For RoHS compliant version of "-07" add "-R" option code suffix to part number.  
 \*\* Cart. Brass = Cartridge Brass



#### 1A4534 Series

With End Stops & Angled Out Leads

Dimensions - in (mm)



| Catalog Number* | Clip Mat.**                      | Finish     |
|-----------------|----------------------------------|------------|
| 1A4534-01       | High Performance Cu <sup>†</sup> | Bright Tin |
| 1A4534-06       | Cart. Brass                      | Bright Tin |

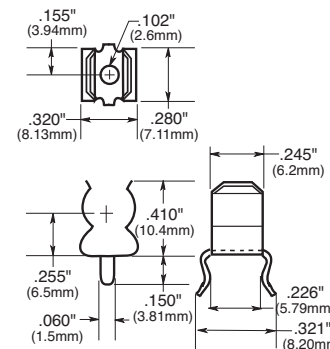
\* For RoHS compliant version add "-R" option code suffix to part number.  
 \*\* High Performance Cu = High Performance Copper, Cart. Brass = Cartridge Brass  
 † High Performance Cu recommended for currents higher than 15 amps.



#### 1A4533 Series

Without End Stops & Angled Out Leads

Dimensions - in (mm)



| Catalog Number* | Clip Mat.**                      | Finish     |
|-----------------|----------------------------------|------------|
| 1A4533-01       | High Performance Cu <sup>†</sup> | Bright Tin |
| 1A4533-06       | Cart. Brass                      | Bright Tin |

\* For RoHS compliant version add "-R" option code suffix to part number.  
 \*\* High Performance Cu = High Performance Copper, Cart. Brass = Cartridge Brass  
 † High Performance Cu recommended for currents higher than 15 amps.



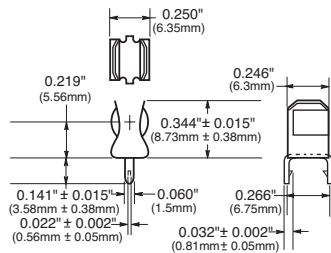
# PCB Fuseclips for ATC/ATM Blade, 5mm, 1/4" & 13/32" Diameter Fuses

## 1AXXX Series

### For 5mm Diameter Fuses

1A5601 Series (0 to 7 amps)

Dimensions - in (mm)

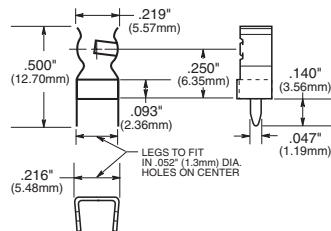


| Catalog Number | Clip Mat.*  | Finish     |
|----------------|-------------|------------|
| 1A5601         | Cart. Brass | Bright Tin |

\* Cart. Brass = Cartridge Brass

1A5602 Series (0 to 7 Amps)

Dimensions - in (mm)

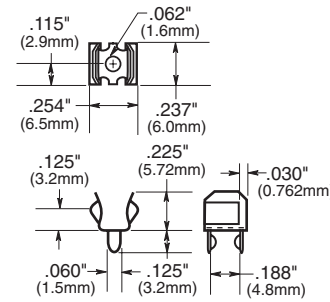


| Catalog Number | Clip Mat.*  | Finish     |
|----------------|-------------|------------|
| 1A5602         | Cart. Brass | Bright Tin |

\* Cart. Brass = Cartridge Brass

1A3399 and 1A5018 Series  
With Straight Leads

Dimensions - in (mm)



| Catalog Number* | Clip Mat.** | Finish     |
|-----------------|-------------|------------|
| 1A3399-10       | Spg. Br.    | Bright Tin |
| 1A3399-01       | BeCu†       | Silver     |
| 1A3399-04       | BeCu†       | Bright Tin |

\* For RoHS compliant version of "-10" and "-04" add "-R" option code suffix to part number. 1A3399-01 is RoHS compliant.

\*\* Spg. Br. - Spring Bronze, BeCu = Beryllium Copper

† Beryllium Copper recommended for currents higher than 15 amps.

#### High Profile

| Catalog Number* | Clip Mat.** | Finish     |
|-----------------|-------------|------------|
| 1A5018-10       | Spg. Br.    | Bright Tin |
| 1A5018-07       | Spg. Br.    | Silver     |

\* For RoHS compliant version of "-10" add "-R" option code suffix to part number. 1A5018-07 is RoHS compliant.

\*\* Spg. Br. - Spring Bronze

#### Specifications

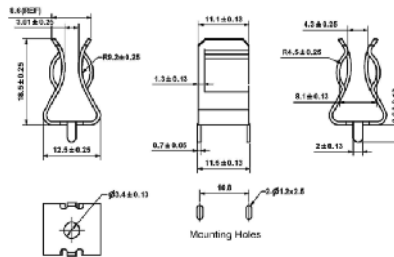
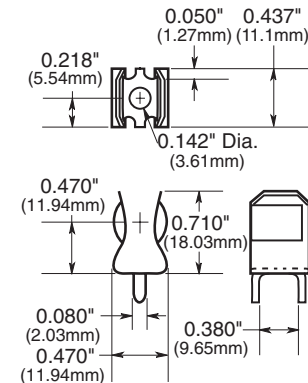
5mm PCB Mount Fuseclips  
Current Rating: 15A  
Voltage Rating: 500Vac  
PCB Terminals: Solder Lug

### For 13/32" Diameter Fuses

1A3400 Series

With End Stops & Straight Leads

Dimensions - in (mm)



1A3400-12

#### Specifications:

| Catalog Number* | Clip Material     | Finish     | Amp Rating |
|-----------------|-------------------|------------|------------|
| 1A3400-09       | Copper-Clad Steel | Bright Tin | 20A Max.   |
| 1A3400-10       | Copper-Clad Steel | Silver     | 30A Max.   |
| 1A3400-12       | Spring Brass      | Bright Tin | 15A Max.   |

\* For RoHS compliant version of "-09" and "-12" add "-R" option code suffix to part number. 1A3400-10 is RoHS compliant.

1A3400-09 & 1A3400-10

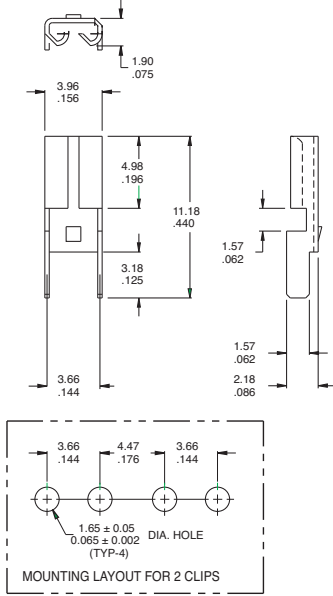
# PCB Fuseclips for ATC/ATM Blade, 5mm, 1/4" & 13/32" Diameter Fuses

## 1AXXX Series

### ATM Fuses

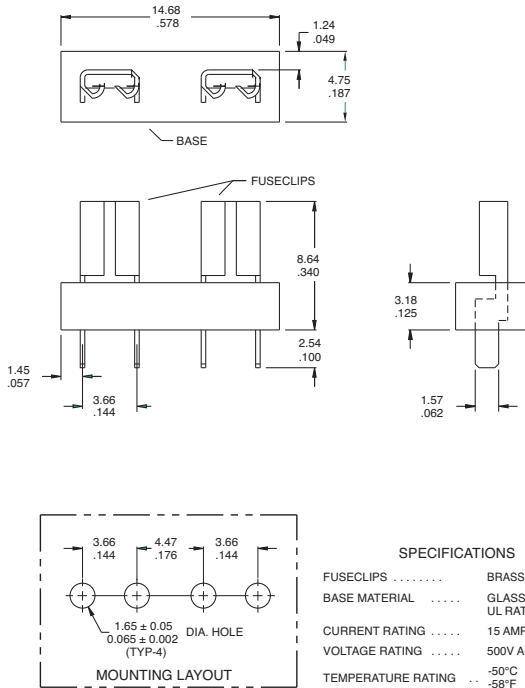
#### 1A5778 Series

Dimensions - mm (in)



MATERIAL: BRASS, NICKEL PLATED, .30 THICK  
.012

#### 1A5779 Series



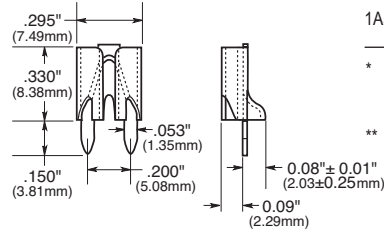
#### SPECIFICATIONS

|                       |                                    |
|-----------------------|------------------------------------|
| FUSECLIPS .....       | BRASS, NICKEL PLATED               |
| BASE MATERIAL .....   | GLASS FILLED NYLON, UL RATED 94V-0 |
| CURRENT RATING .....  | 15 AMPS                            |
| VOLTAGE RATING .....  | 500V AC                            |
| TEMPERATURE RATING .. | -50°C TO 145°C<br>-58°F TO 292°F   |

### ATC Fuses (0 to 20 Amps)

#### 1A5600 Series

Dimensions - in (mm)

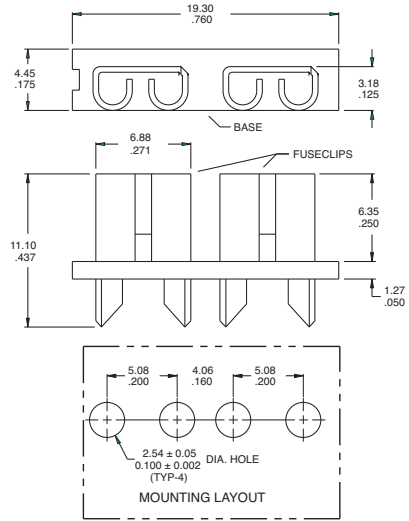


| Catalog Number* | Clip Mat.** | Finish           |
|-----------------|-------------|------------------|
| 1A5600          | Cart. Brass | Satin Finish Tin |

\* For RoHS compliant version add "-R" option code suffix to part number. 1A3399-01 is RoHS compliant.  
\*\* Cart. Brass = Cartridge Brass

#### 1A5780 Series

Dimensions - mm (in)



#### SPECIFICATIONS

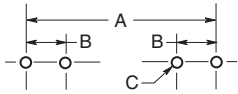
|                       |                                    |
|-----------------------|------------------------------------|
| FUSECLIPS .....       | BRASS, NICKEL PLATED               |
| BASE MATERIAL .....   | GLASS FILLED NYLON, UL RATED 94V-0 |
| CURRENT RATING .....  | 15 AMPS                            |
| VOLTAGE RATING .....  | 500V AC                            |
| TEMPERATURE RATING .. | -50°C TO 145°C<br>-58°F TO 292°F   |

# PCB Fuseclips for ATC/ATM Blade, 5mm, 1/4" & 13/32" Diameter Fuses

## 1AXXXX Series

### Fuseclip Catalog Numbers

### Recommended Pad Layout Dimensions - in (mm)



### Dimensions

| Catalog Number | A                |                   |                    |                     |                     |                               | ATC              | ATM                          | B<br>Tabs                    | C<br>(4 holes)                     | Board<br>Thickness                 |
|----------------|------------------|-------------------|--------------------|---------------------|---------------------|-------------------------------|------------------|------------------------------|------------------------------|------------------------------------|------------------------------------|
|                | 7/8"<br>(22.2mm) | 1"<br>(25.4mm)    | 1 1/4"<br>(31.8mm) | 1 1/8"<br>(34.93mm) | 1 1/2"<br>(38.10mm) | 20mm                          |                  |                              |                              |                                    |                                    |
| 1A5778-        | —                | —                 | —                  | —                   | —                   | —                             | —                | 0.464"<br>(11.79)            | 0.144"<br>(3.66)             | 0.065"±0.002"<br>(1.65±0.05)       | 0.062"<br>(1.57)                   |
| 1A5779-        | —                | —                 | —                  | —                   | —                   | —                             | —                | 0.464"<br>(11.79)            | 0.144"<br>(3.66)             | 0.065"±0.002"<br>(1.65±0.05)       | 0.062"<br>(1.57)                   |
| 1A5780-        | —                | —                 | —                  | —                   | —                   | —                             | 0.560<br>(14.22) | —                            | 0.200"<br>(5.08)             | 0.100"±0.002"<br>(2.54±0.05)       | 0.062"<br>(1.57)                   |
| 1A3398-        | 1.00"<br>(25.40) | 1.125"<br>(28.58) | 1.375"<br>(34.920) | —                   | —                   | —                             | —                | 0.295"-0.305"<br>(7.49-7.75) | 0.067"-0.070"<br>(1.70-1.78) | 0.093"<br>(2.36)                   | 0.062" to 0.125"<br>(1.57 to 3.18) |
| 1A1907-        | —                | —                 | —                  | —                   | —                   | —                             | —                | —                            | —                            | —                                  | —                                  |
| 1A1119-        | 1.00"<br>(25.40) | 1.125"<br>(28.58) | 1.375"<br>(34.92)  | —                   | —                   | —                             | —                | 0.295"-0.305"<br>(7.49-7.75) | 0.093"±0.002"<br>(2.36±0.05) | 0.062" to 0.125"<br>(1.57 to 3.18) | —                                  |
| 1A1120-        | 1.00"<br>(25.40) | 1.125"<br>(28.58) | 1.375"<br>(34.920) | —                   | —                   | —                             | —                | 0.295"-0.305"<br>(7.49-7.75) | 0.093"±0.002"<br>(2.36±0.05) | 0.062" to 0.125"<br>(1.57 to 3.18) | —                                  |
| 1A3399-        | —                | —                 | —                  | —                   | —                   | 0.875"<br>(22.23)             | —                | —                            | 0.200"<br>(5.08)             | 0.067"-0.070"<br>(1.70-1.78)       | 0.093"<br>(2.36)                   |
| 1A3400-        | —                | —                 | —                  | 1.50"<br>(38.10)    | 1.625"<br>(41.28)   | —                             | —                | —                            | 0.405"<br>(10.29)            | 0.091"-0.095"<br>(2.31-2.41)       | 0.125"<br>(3.18)                   |
| 1A4533-        | 1.00"<br>(25.40) | 1.125"<br>(28.58) | 1.375"<br>(34.920) | —                   | —                   | —                             | —                | —                            | 0.300"<br>(7.62)             | 0.067"-0.070"<br>(1.70-1.78)       | 0.062"<br>(1.57)                   |
| 1A4534-        | 1.00"<br>(25.40) | 1.125"<br>(28.58) | 1.375"<br>(34.920) | —                   | —                   | —                             | —                | —                            | 0.300"<br>(7.62)             | 0.067"-0.070"<br>(1.70-1.78)       | 0.062"<br>(1.57)                   |
| 1A5018-        | —                | —                 | —                  | —                   | —                   | 0.820"±0.015"<br>(20.80±0.38) | —                | —                            | 0.180"<br>(4.6)              | 0.053"-0.002"<br>(1.35-0.05)       | 0.093"<br>(2.36)                   |
| 1A5600-        | —                | —                 | —                  | —                   | —                   | —                             | —                | —                            | 0.200"<br>(5.08)             | 0.052"±0.003"<br>(1.32±0.077)      | 0.125"max.<br>(3.18)               |
| 1A5601-        | —                | —                 | —                  | —                   | —                   | 0.820"±0.015"<br>(20.80±0.38) | —                | —                            | 0.266"<br>(6.76)             | 0.067"±0.003"<br>(1.70±0.074)      | 0.062"<br>(1.57)                   |
| 1A5602-        | —                | —                 | —                  | —                   | —                   | —                             | —                | —                            | 0.220"<br>(5.588)            | —                                  | 0.125"max.<br>(3.175)              |

The only controlled copy of this Data Sheet is the electronic read-only version located on the Eaton Network Drive. All other copies of this document are by definition uncontrolled. This bulletin is intended to clearly present comprehensive product data and provide technical information that will help the end user with design applications. Eaton reserves the right, without notice, to change design or construction of any products and to discontinue or limit distribution of any products. Eaton also reserves the right to change or update, without notice, any technical information contained in this bulletin. Once a product has been selected, it should be tested by the user in all possible applications.

Life Support Policy: Eaton does not authorize the use of any of its products for use in life support devices or systems without the express written approval of an officer of the Company. Life support systems are devices which support or sustain life, and whose failure to perform, when properly used in accordance with instructions for use provided in the labeling, can be reasonably expected to result in significant injury to the user.