

MATERIALS AND FINISHES

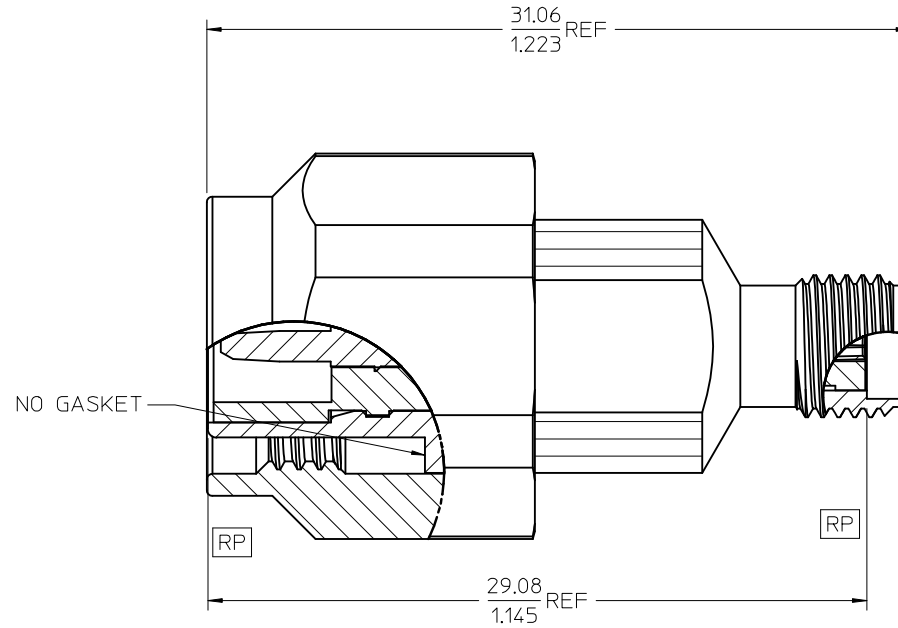
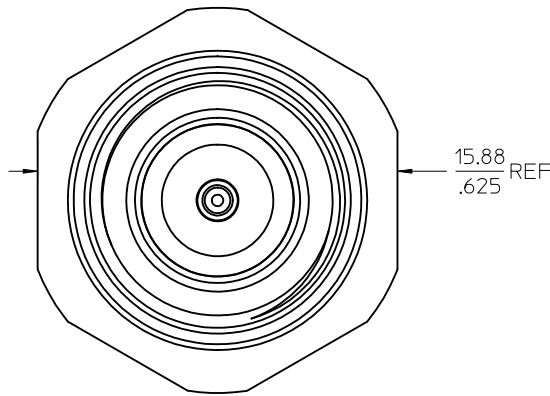
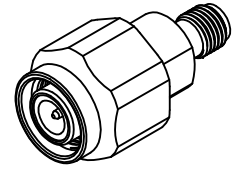
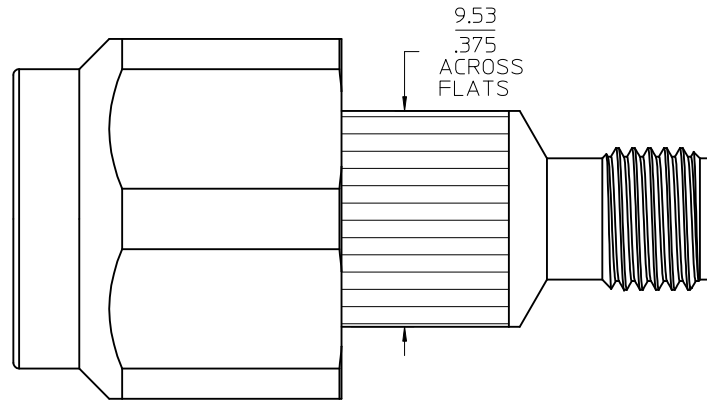
BODY: SEE TABLE
PLATING SEE TABLE

CONTACT: BERYLLIUM COPPER
PLATED GOLD

INSULATOR: TEFLON

COUPLING NUT: BRASS
PLATED NICKEL

RETAINING RING: BERYLLIUM COPPER



73386-0103	PASSIVATED	STAINLESS STEEL	TRAY
73386-0102	NICKEL	BRASS	TRAY
73386-0101	PASSIVATED	STAINLESS STEEL	ONE PER BAG
PART NO.	FINISH	MATERIAL	PACKAGING

CHG: ADD -0101
EC NO: URF2011-0577
DRWN:JWIENER 2011/04/04
CHKD:AZR 2011/04/04
APPR:JWIENER 2011/04/05

QUALITY SYMBOLS
▽=0
▽=0

GENERAL TOLERANCES (UNLESS SPECIFIED)

	mm	INCH
4 PLACES	± .005	± .0002
3 PLACES	± .003	± .0001
2 PLACES	± .002	± .00008
1 PLACE	± .001	± .00004

ANGULAR ± 2°

DRAFT WHERE APPLICABLE
MUST REMAIN
WITHIN DIMENSIONS

DIMENSION STYLE
MM/IN

DRAWN BY	DATE
EDC	1997/12/30
CHECKED BY	DATE
DHG	1997/12/30
APPROVED BY	DATE
GMH	1997/12/30

MATERIAL NO.
SEE TABLE

SCALE
DESIGN UNITS
METRIC

THIRD ANGLE PROJECTION

TITLE
BSA, TNC PLUG TO
SMA JACK
BSA-TNC/SMA, EWR-2576

MOLEX MOLEX INCORPORATED

DOCUMENT NO.
SD-73386-010

SHEET NO.
1 OF 1

THIS DRAWING CONTAINS INFORMATION THAT IS PROPRIETARY TO MOLEX INCORPORATED AND SHOULD NOT BE USED WITHOUT WRITTEN PERMISSION