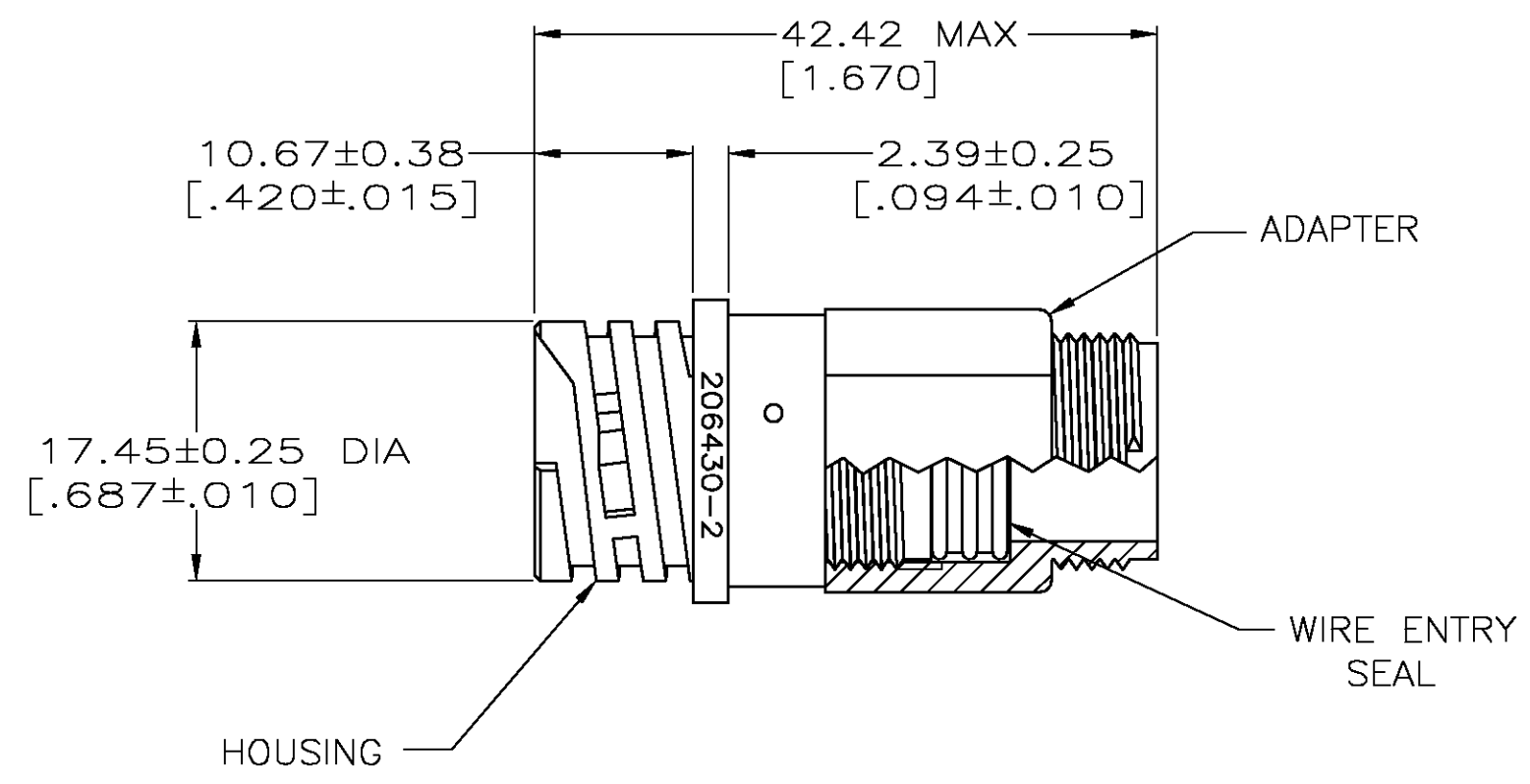
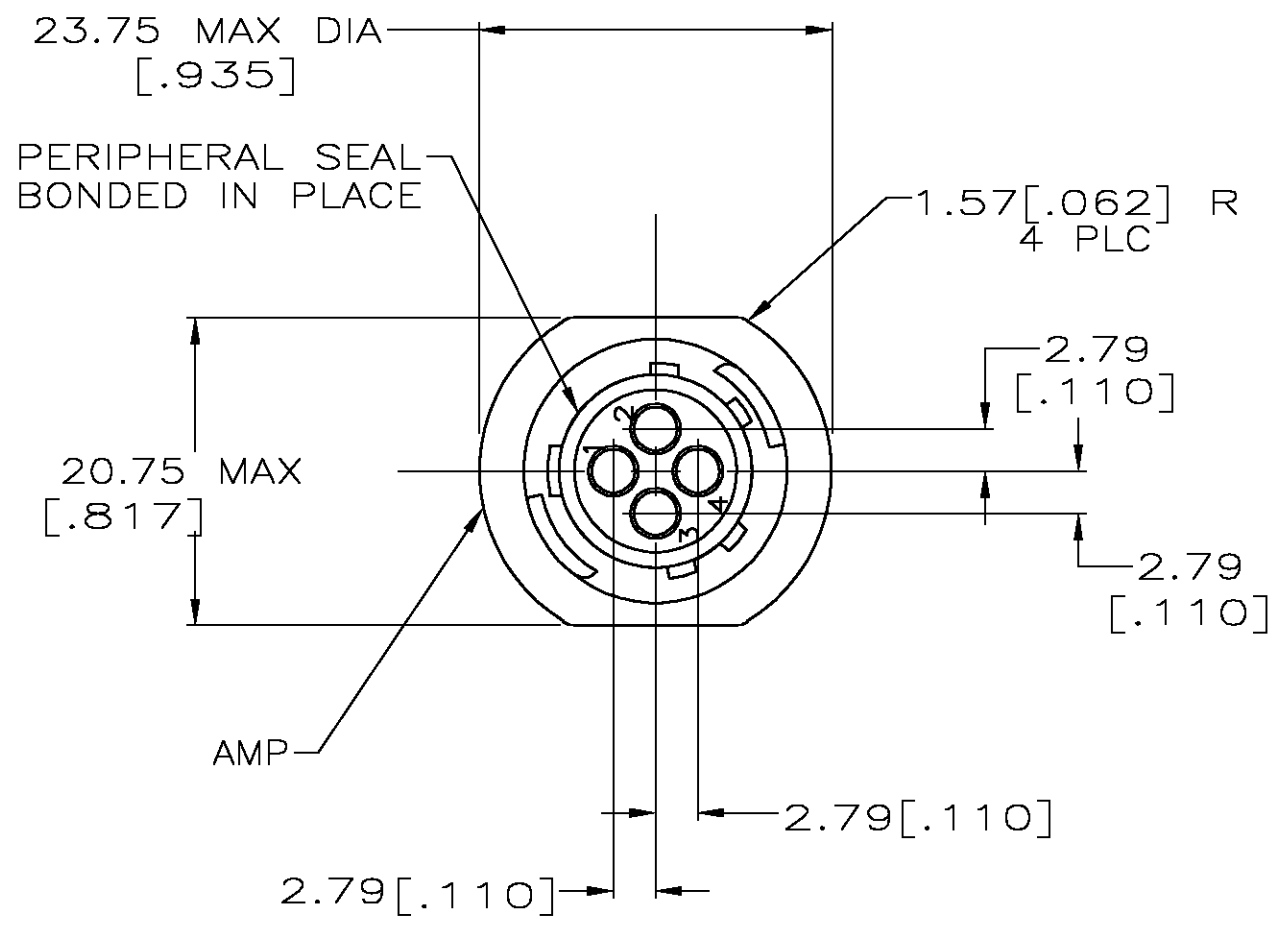


THIS DRAWING IS UNPUBLISHED. RELEASED FOR PUBLICATION
 © COPYRIGHT BY TYCO ELECTRONICS CORPORATION. ALL RIGHTS RESERVED.

LOC	DIST	REVISIONS			
P	LTR	DESCRIPTION	DATE	DWN	APVD
FT	0	A	REVISED PER 0G3B-0140-04	2/19/04	SS SH



788155-2
 PART NUMBER

⚠ HOUSING & ADAPTER: NYLON 6/6, BLACK.
 WIRE ENTRY SEAL: ELASTOMER, RED.

2. THIS CONNECTOR WILL ACCEPT
 FOUR (4) MULTIMATE SOCKET CONTACTS.

THIS DRAWING IS A CONTROLLED DOCUMENT.		DWN P.BENNINGHOVE 01 OCT 97	Tyco Electronics Corporation	
DIMENSIONS: MM [INCHES]		CHK K.DOWHOWER 28 OCT 99	Harrisburg, Pa 17105-3608	
TOLERANCES UNLESS OTHERWISE SPECIFIED:		APVD K.DOWHOWER 28 OCT 99	NAME	
0 PLC ± -		PRODUCT SPEC	RECEPTACLE ASSEMBLY, 11-4, REVERSE SEX, SERIES I, SEALED, CPC	
1 PLC ± -		108-1579	SIZE	CAGE CODE
2 PLC ± 0.13 [.005]		APPLICATION SPEC	A3	00779
3 PLC ± -		114-10038	DRAWING NO	C=788155
4 PLC ± -		WEIGHT -	RESTRICTED TO -	
ANGLES ± -		CUSTOMER DRAWING	SCALE 2:1	SHEET 1 OF 1
FINISH -		REV A		