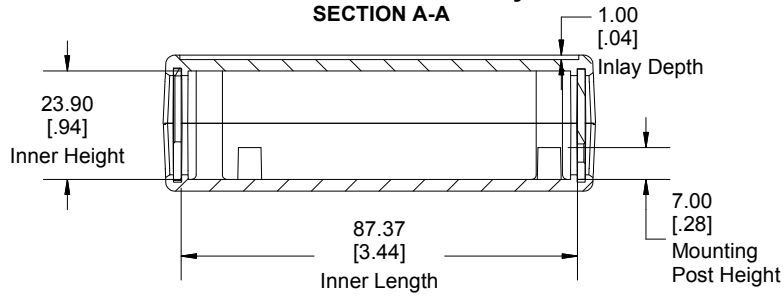
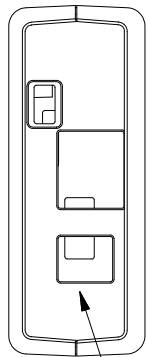


**Side View of Assembly
SECTION A-A**

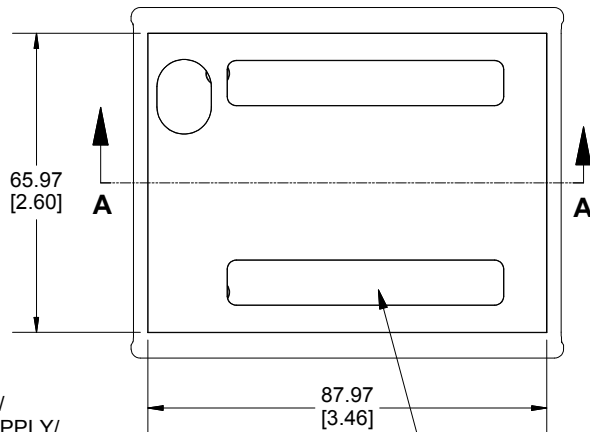


End View of Assembly



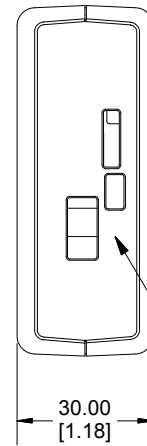
ETHERNET/
POWER SUPPLY/
MINI USB

Top View of Assembly

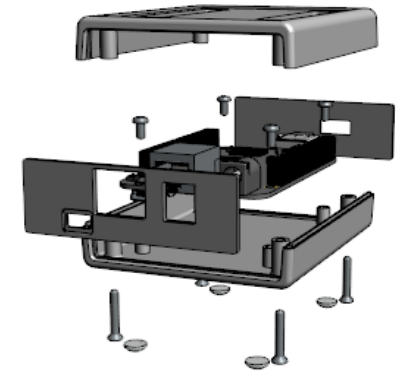


TOP ACCESS CUT-OUTS

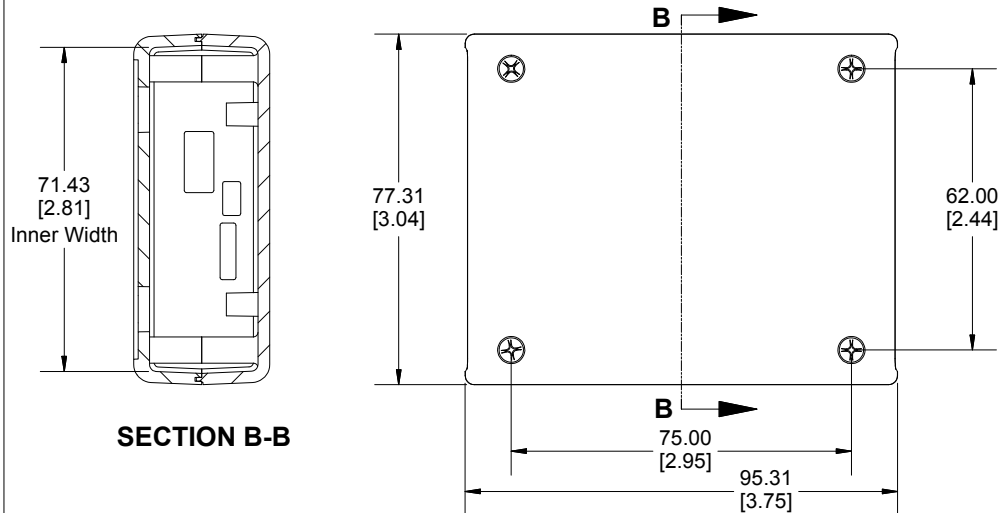
End View of Assembly



USB/
MICRO SD/
MINI HDMI



Bottom View of Assembly



SECTION B-B

* FOR USE WITH BEAGLEBONE BLACK

NOTE

Purchased assembly includes top and bottom cover, front and rear end panels, 4 cover screws, 4 PCB screws and 4 clear rubber feet. (P.C. Board not included)
Enclosure molded from ABS Plastic.

PART NUMBERS

1593HAMBONE Enclosure

Black Enclosure	1593HAMBONEBK
Grey Enclosure	1593HAMBONEGY
Translucent Blue Enclosure	1593HAMBONETBU



**HAMMOND
MANUFACTURING™**

1593HAMBONE

www.hammondmfg.com

Dimensions:
mm
[inches]