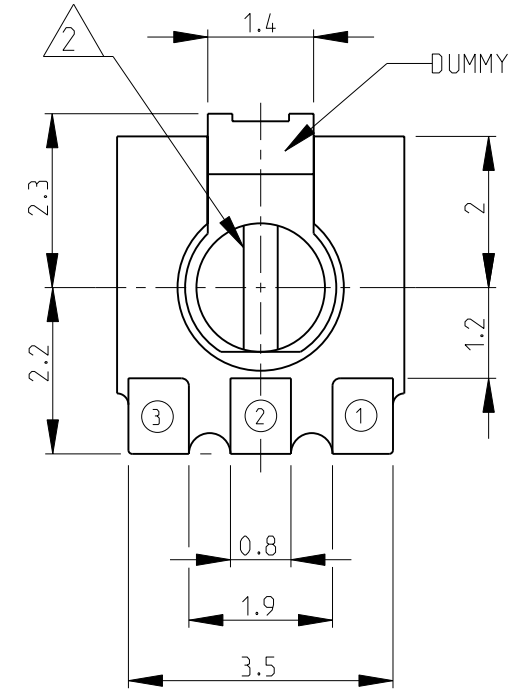
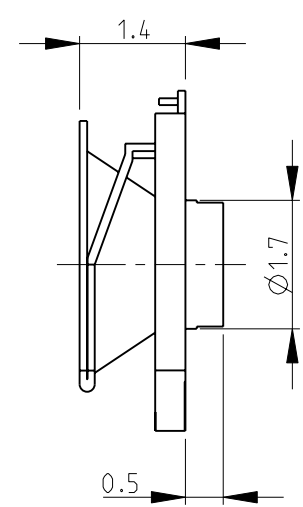
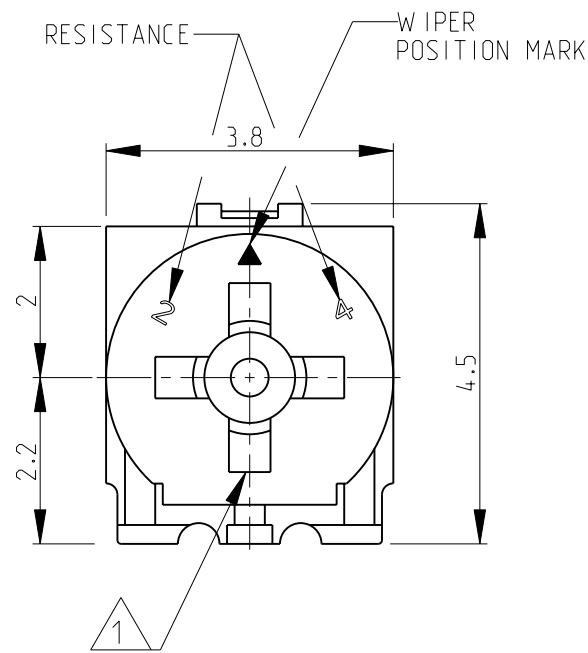


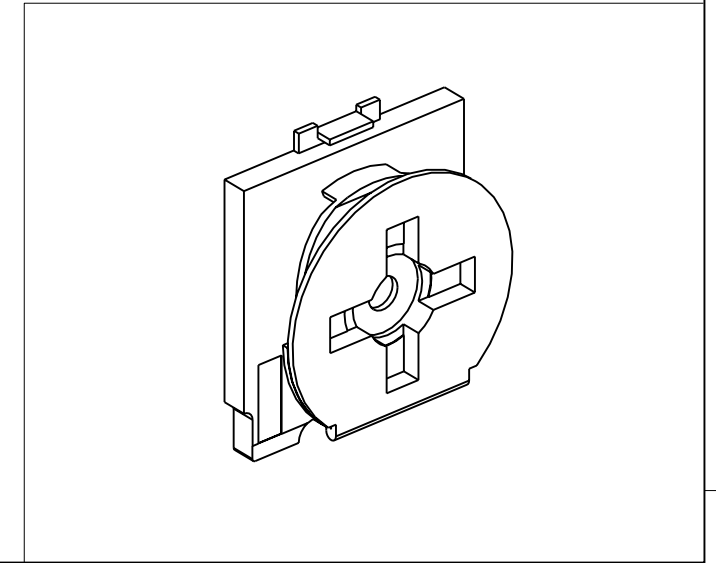
THIS DRAWING IS UNPUBLISHED. RELEASED FOR PUBLICATION 2008  
 © COPYRIGHT 2008 BY TYCO ELECTRONICS CORPORATION. ALL RIGHTS RESERVED.

LOC	DIST	REVISIONS				
P	LTR	DESCRIPTION	DATE	DWN	APVD	
E	B	BA	NEW RELEASE	01-DEC-08	SM	St.P

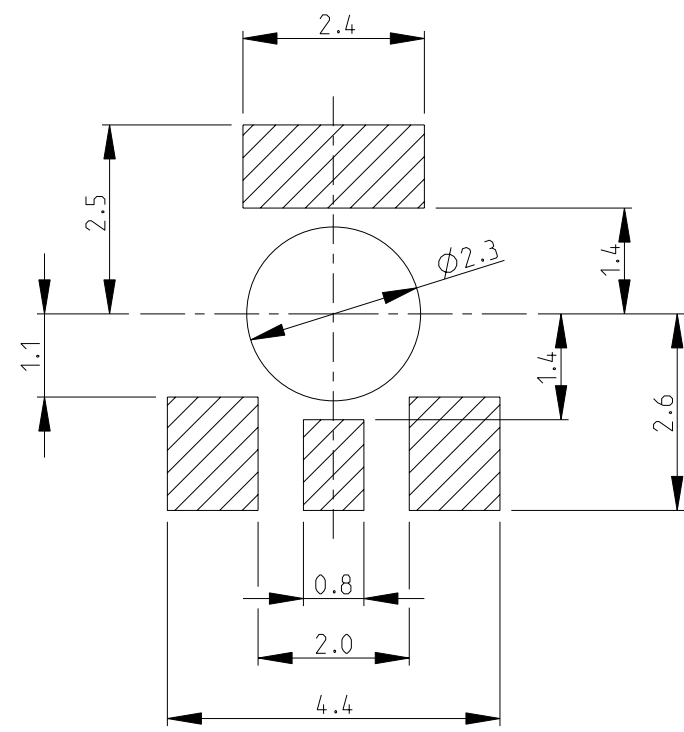
- 1 TOP DRIVER SLOT: WIDTH- 0.55; LENGTH- 2.5; DEPTH- 0.3
- 2 BOTTOM DRIVER SLOT: WIDTH- 0.45; DEPTH- 0.35
- 3 FOR FURTHER INFORMATION SEE DATA SHEET FOR 3150 SERIES-SMD ECONOMY TRIMMERS



RoHS Compliant



RECOMMENDED LAND PATTERN



<small>THIS DRAWING IS A CONTROLLED DOCUMENT FOR TYCO ELECTRONICS CORPORATION IT IS SUBJECT TO CHANGE AND THE CONTROLLING ENGINEERING ORGANIZATION SHOULD BE CONTACTED FOR THE LATEST REVISION.</small>		DWN	SUBHASH.M	01-DEC-08	Tyco Electronics Corporation Dorcan, Swindon, SN3 5HH					
DIMENSIONS: mm		CHK	PRAKASH.S	01-DEC-08		NAME <b>SMD ECONOMY TRIMMERS</b> <b>SERIES 3155</b>				
		APVD	STEPHEN.P	01-DEC-08						
TOLERANCES UNLESS OTHERWISE SPECIFIED: 0 PLC ±0.2 1 PLC ±0.1 2 PLC ±- 3 PLC ±- 4 PLC ±- ANGLES ±5°		PRODUCT SPEC	-							
MATERIAL -		APPLICATION SPEC	-							
FINISH -		WEIGHT	-							
		CUSTOMER DRAWING	SIZE	A3	CAGE CODE	00779	DRAWING NO	1623914	RESTRICTED TO	-
			SCALE	10:1	SHEET	1	OF	1	REV	BA