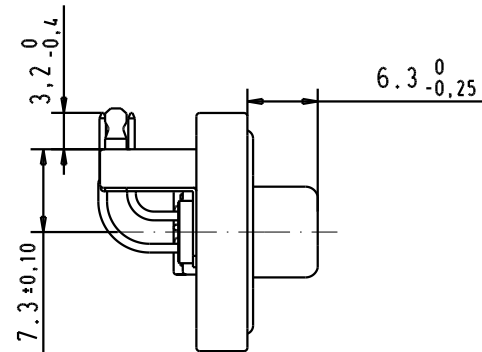
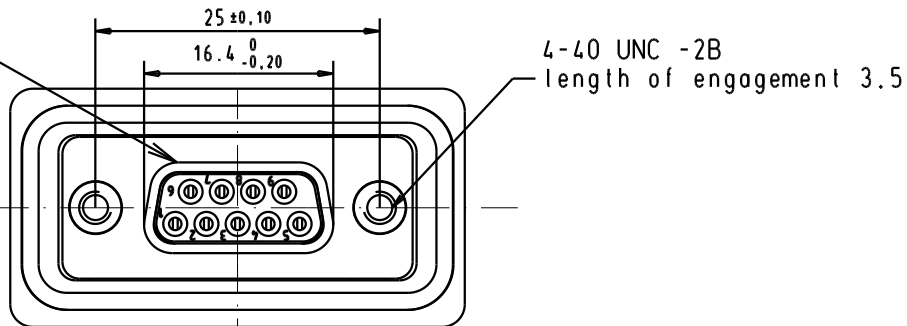
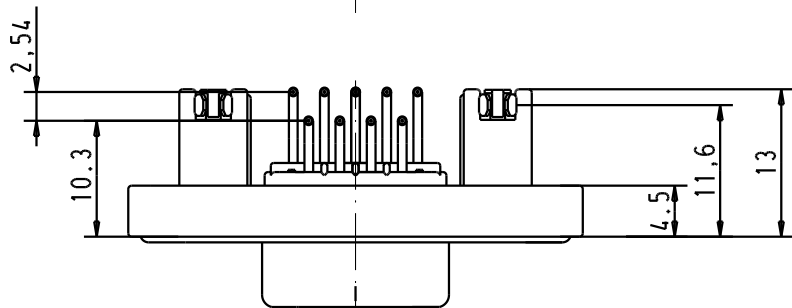


5 4 3 2 1

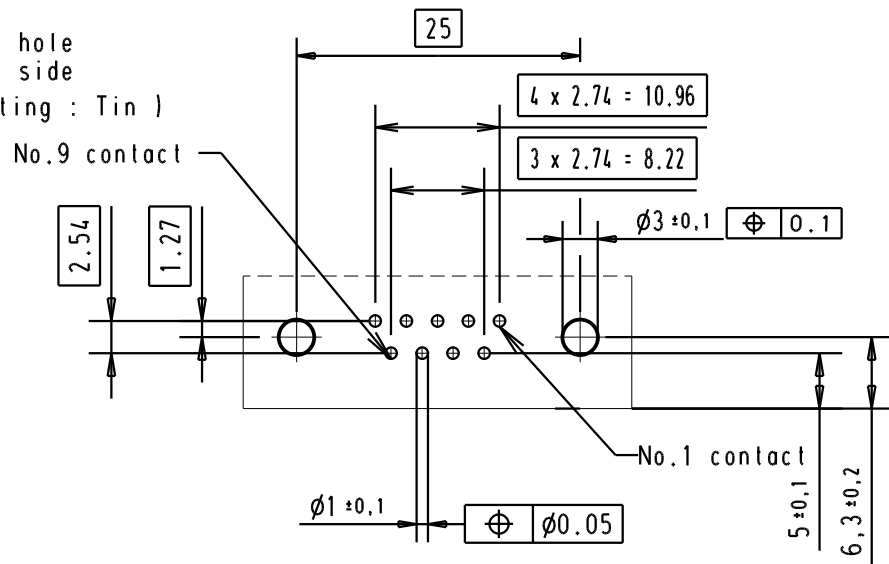
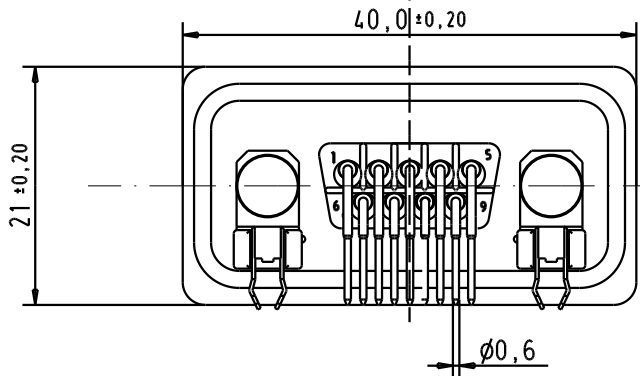
Mating face according to : MIL-C-24308 / DIN 41652 / CECC 75.01-802



1) Protection standard IP 67 according to IEC 529 / DIN 40050.

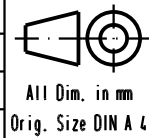


PCB layout hole component side  
( PCB holes plating : Tin )



|                |                         |
|----------------|-------------------------|
| 09 67 509 6758 | Au plating 0,76 µm mini |
| Part Number    | Performance Level       |

|         | Dat.     | Name |
|---------|----------|------|
| Detail. | 20/01/04 | S.H. |
| Insp.   |          |      |
| Stand.  |          |      |
| 31587   | 20/01/04 | S.H. |
| Mod.    | Dat.     | Name |



D-SUB IP67 female 09 Poles angled solder pin with bracket and clip for 1.6mm PCB 4-40 UNC nut

Maßstab/Scale

HARTING ELEKTRONIK F-95972 Paris



TB 09 67 509 6758

Blatt/ Page

Sub.