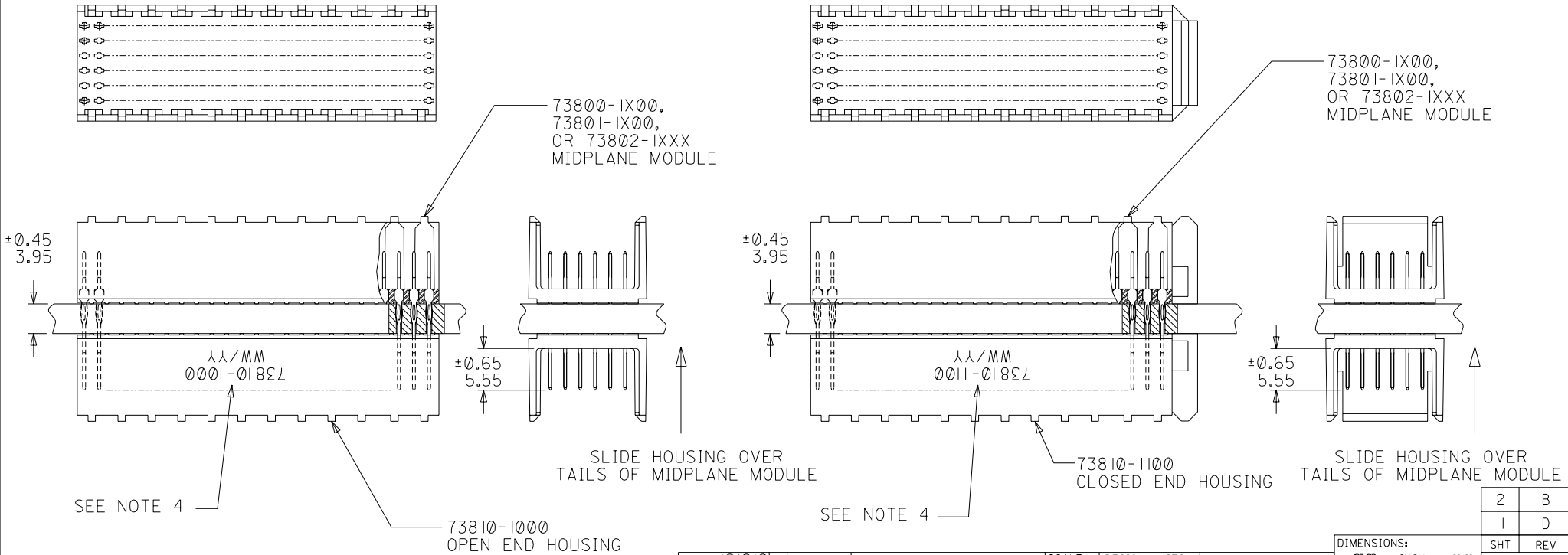


**NOTES:**

1. HOUSING MATERIALS: LIQUID CRYSTAL POLYMER (LCP), GLASS-FILLED, UL94V-0, COLOR: BLACK.
2. THIS PART CONFORMS TO MOLEX PRODUCT SPECIFICATION PS-73670-9999.
3. SEE DRAWINGS SD-73800-001, SD-73801-001, AND SD-73802-001 FOR DIMENSIONAL INFORMATION.
4. PARTS MARKED WITH PART NUMBER AND DATE CODE, ON EITHER SIDE, APPROXIMATELY WHERE SHOWN.
5. PARTS PACKAGED PER PK-70873-0818.



SEE NOTE 4

73810-1000  
OPEN END HOUSING

SEE NOTE 4

REVISED EC NO. LCP2003-2260 DRWN: THOMAS 03/04/25 CHK: BINGHAM 03/04/25 APPR: REED 03/04/25	DESCRIPTION MAJOR CRITICAL C=0	GENERAL TOLERANCES: (UNLESS SPECIFIED)		SCALE 2 : 1	DESIGN UNITS <input checked="" type="checkbox"/> mm <input type="checkbox"/> INCH	THIRD ANGLE PROJECTION	DIMENSIONS: <input type="checkbox"/> mm <input type="checkbox"/> INCH <input checked="" type="checkbox"/> mm ONLY		SHT 2	REV B
		4 PLACES ±0.     ±.	DRAWN BY & DATE JBINGHAM 97/06/19	TITLE: SALES ASSEMBLY, HDM DOUBLE-END MIDPLANE, 144 POS. SLIDE-ON HOUSING						
		3 PLACES ±0.     ±.	CHECKED BY & DATE SREED 97/06/19	MOLEX INCORPORATED						
		2 PLACES ±0.05     ±.	APPROVED BY & DATE CBIXLER 97/06/19	CAD FILENAME S73810X1.DGN	MATERIAL NO. SEE CHART	DRAWING NO. SD-73810-001	SHEET NO. 1 OF 2			
1 PLACE ±0.10     ±.	ANGLAR: ± 1/2°	DRAFT WHERE APPLICABLE MUST REMAIN WITHIN DIMENSIONS		THIS DRAWING CONTAINS INFORMATION THAT IS PROPRIETARY TO MOLEX INCORPORATED AND SHOULD NOT BE USED WITHOUT WRITTEN PERMISSION.				SIZE B		

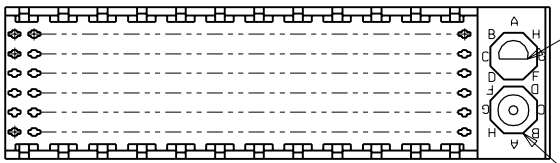
**MATERIAL NUMBER ASSIGNMENT**

73810- \* \* \* \*

1 = 144-CIRCUIT

0 = OPEN END VERSION  
 1 = CLOSED END VERSION  
 2 = POLAR/GUIDE VERSION

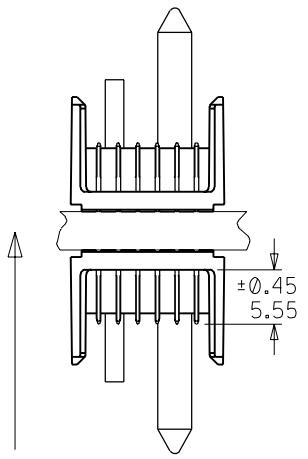
73800-1X00,  
 73801-1X00,  
 OR 73802-1XXX  
 MIDPLANE MODULE



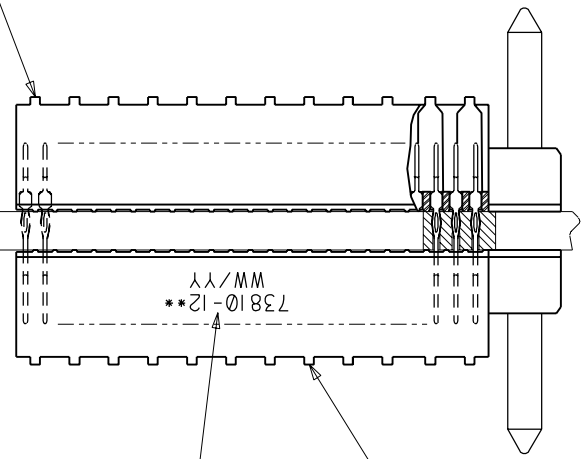
LOCATION B

LOCATION A

NUMBER	GUIDE POST LOCATION	POLAR KEY POSITION
00	N/A	N/A
01	B	A
02	A	A
03	B	B
04	A	B
05	B	C
06	A	C
07	B	D
08	A	D
09	B	E
10	A	E
11	B	F
12	A	F
13	B	G
14	A	G
15	B	H
16	A	H
17	B	N/A
18	A	N/A



±0.65  
 3.95



SEE NOTE 5

73810-12XX  
 POLAR/GUIDE HOUSING

SEE SHEET 1 EC NO. UDT2000-0443 DRWN: JBINGHAM 99/11/04 CHK: SREED 99/11/04 APPR: CBIXLER 99/11/04	QUALITY SYMBOLS	GENERAL TOLERANCES: (UNLESS SPECIFIED)	SCALE 2 : 1	DESIGN UNITS <input checked="" type="checkbox"/> mm <input type="checkbox"/> INCH	DIMENSIONS: <input type="checkbox"/> mm <input type="checkbox"/> INCH <input checked="" type="checkbox"/> mm ONLY	SHT REV
	MAJOR = 0	mm	INCH	THIRD ANGLE PROJECTION	REVISION ON CAD ONLY	
	CRITICAL = 0	4 PLACES ±0.	3 PLACES ±0.	DRAWN BY & DATE JBINGHAM 97/06/19	TITLE: SALES ASSEMBLY, HDM DOUBLE-END MIDPLANE, 144 POS. SLIDE-ON HOUSING	
		2 PLACES ±0.05	1 PLACE ±0.10	CHECKED BY & DATE SREED 97/06/19	APPROVED BY & DATE CBIXLER 97/06/19	MOLEX INCORPORATED
REV	DESCRIPTION	ANGULAR: ± 1/2°	DRAFT WHERE APPLICABLE MUST REMAIN WITHIN DIMENSIONS	CAD FILENAME S73810X2.DGN	MATERIAL NO. SEE CHART	DRAWING NO. SD-73810-001
B						SHEET NO. 2
						SIZE B