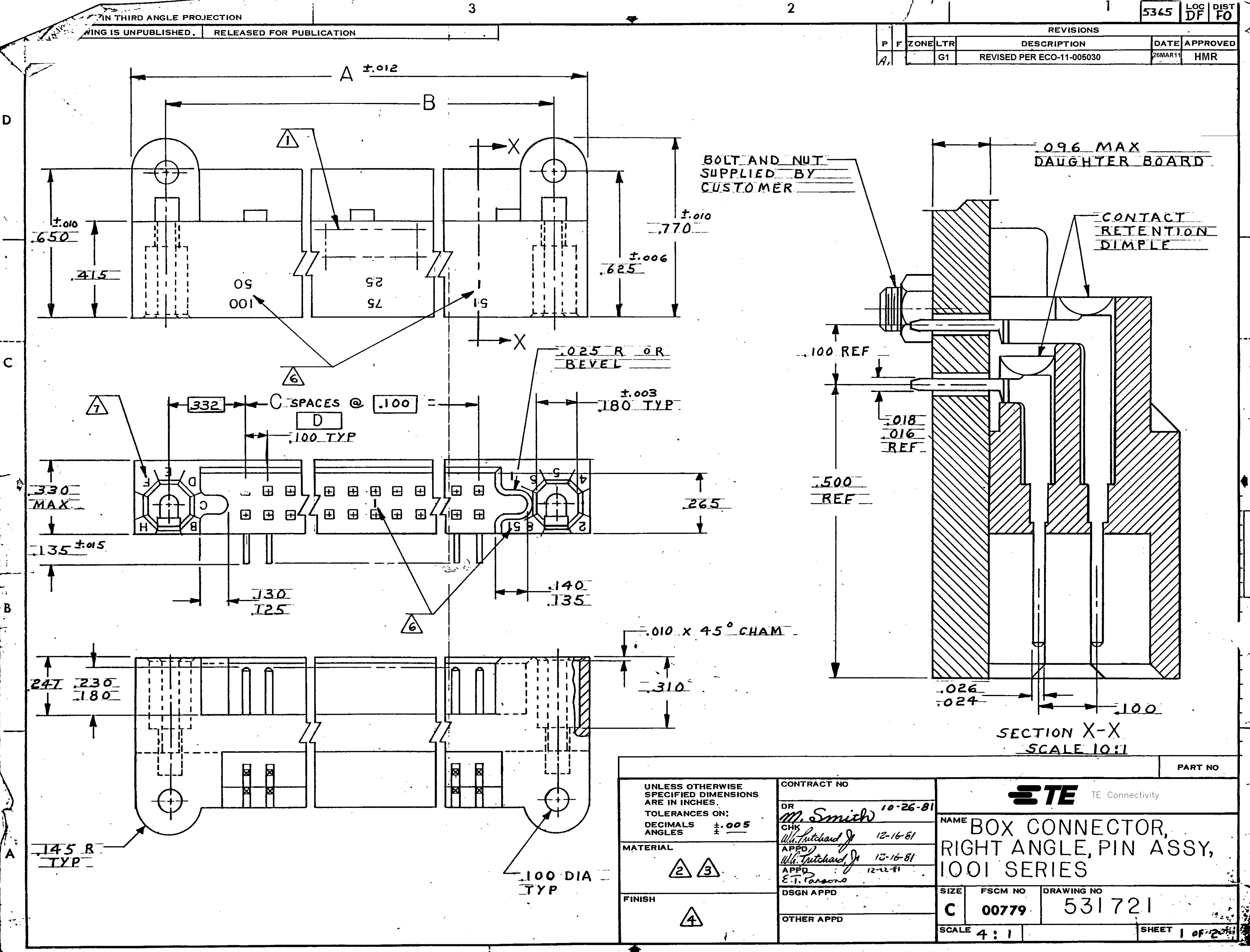


IN THIRD ANGLE PROJECTION  
 DRAWING IS UNPUBLISHED. RELEASED FOR PUBLICATION

5365 LOC DF DIST FO

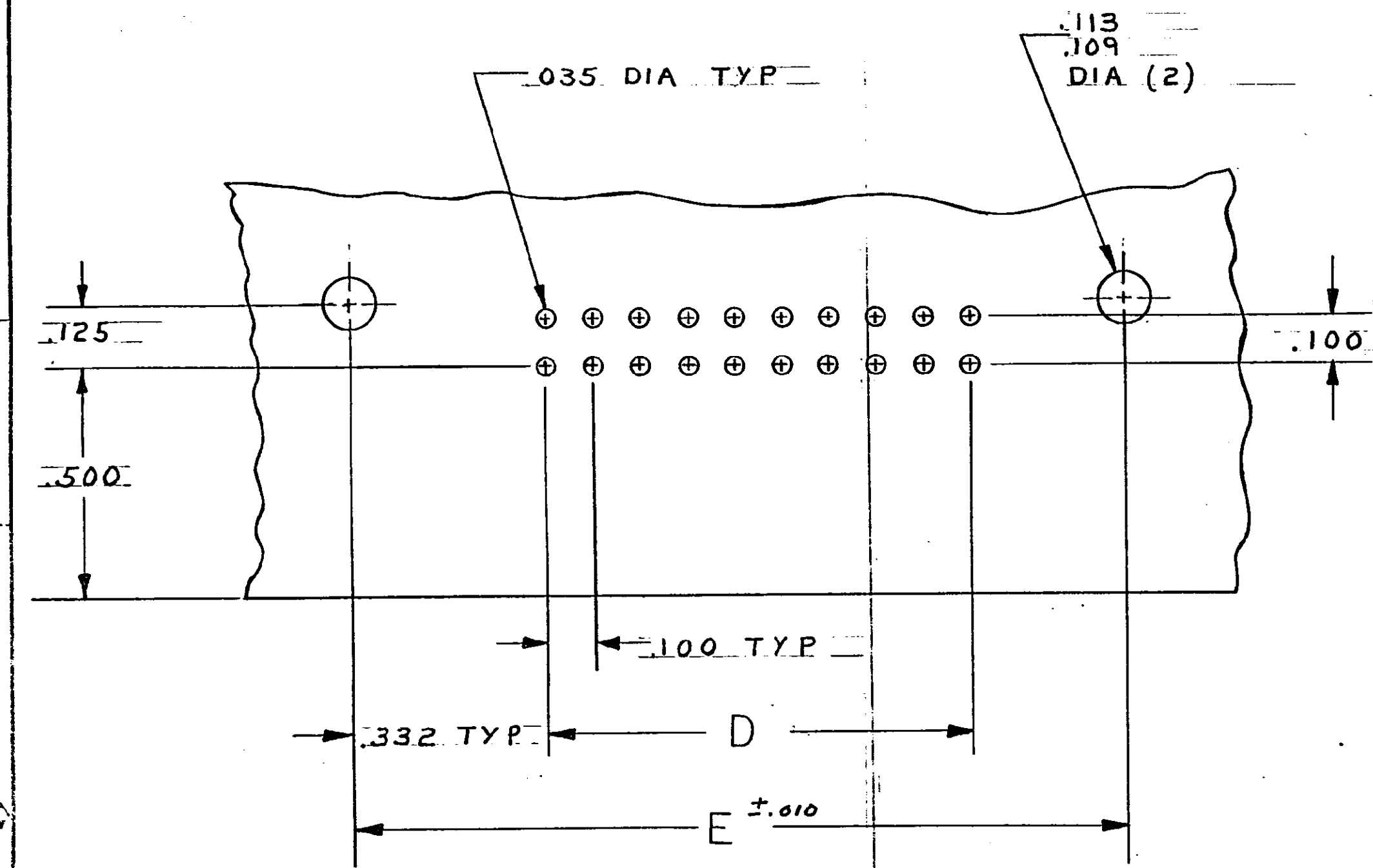
REVISIONS					
P	F	ZONE	DESCRIPTION	DATE	APPROVED
A1		G1	REVISED PER ECO-11-005030	26MAR11	HMR



UNLESS OTHERWISE SPECIFIED DIMENSIONS ARE IN INCHES. TOLERANCES ON: DECIMALS ±.005 ANGLES ±	CONTRACT NO	PART NO	
	DR <i>M. Smith</i> 10-26-81	NAME <b>STE</b> TE Connectivity	
	CHK <i>W. Fitchard Jr</i> 12-16-81	BOX CONNECTOR, RIGHT ANGLE, PIN ASSY, 100I SERIES	
	APPD <i>W. Fitchard Jr</i> 12-16-81	SIZE <b>C</b>	FSCM NO <b>00779</b>
MATERIAL ② ③	APPD <i>E.T. Parsons</i> 12-22-81	DSGN APPD	SCALE 4:1
FINISH ④	OTHER APPD	SHEET 1 OF 2	

THIS DRAWING IS UNPUBLISHED. RELEASED FOR PUBLICATION  
 © COPYRIGHT

REVISIONS				DATE	APPROVED
P	F	ZONE	LTR	DESCRIPTION	
				SEE SHEET 1	



- 1 AMP, 00779, PART NO & DATE CODE AND MILITARY PART NO MARKED IN APPROX AREA
- 2 HOUSING: GLASS FILLED POLYESTER COLOR - BLUE
- 3 CONTACT: BRASS
- 4 CONTACT FINISH: .000050 GOLD IN CONTACT AREA, TIN-LEAD ON SOLDER TAILS, NICKEL UNDERPLATE.
- 5 MIL-C-55302 INSPECTION REQUIRED.
- 6 NUMBERS AND LINES INDICATING EVERY FIVE CAVITIES MARKED ON MATING FACE, NUMBERS INDICATING EVERY FIVE CAVITIES MARKED ON SIDE
- 7 KEY POSITION IDENTIFICATION MOLDED ON SURFACE SHOWN.

RECOMMENDED P.C. BOARD LAYOUT

M 55302/110-31	1 - 71	7.565	6.900	69	7.565	7.855	140	1-531721-3
	-30	7.265	6.600	66	7.265	7.555	134	1- -2
	-29	7.065	6.400	64	7.065	7.355	130	1- -1
	-28	6.565	5.900	59	6.565	6.855	120	1- -0
	-18	6.065	5.400	54	6.065	6.355	110	-9
	-17	5.565	4.900	49	5.565	5.855	100	-8
	-16	5.065	4.400	44	5.065	5.355	90	-7
	-15	4.565	3.900	39	4.565	4.855	80	-6
	-14	4.065	3.400	34	4.065	4.355	70	-5
	-13	3.565	2.900	29	3.565	3.855	60	-4
	-12	3.065	2.400	24	3.065	3.355	50	-3
	-11	2.565	1.900	19	2.565	2.855	40	-2
M 55302/110-10	1 - 16	2.065	1.400	14	2.065	2.355	30	531721-1
MILITARY PART NO.	CONTACT IDENT NO.	E	D	C	B	A	NO. POS	PART NO

UNLESS OTHERWISE SPECIFIED DIMENSIONS ARE IN INCHES.  
 TOLERANCES ON:  
 DECIMALS ±.005  
 ANGLES

CONTRACT NO  
 DR *M. Smith* 10-27-81  
 CH *W. Hutchard Jr* 12-16-81  
 APPD *W. Hutchard Jr* 12-16-81  
 APPD *E.T. Parsons* 12-22-81

MATERIAL  
 FINISH

STE TE Connectivity  
 NAME BOX CONNECTOR, RIGHT ANGLE, PIN ASSY, 100I SERIES

SIZE C FSCM NO 00779 DRAWING NO 531721 REV G1  
 SCALE 4:1 SHEET 2

531721