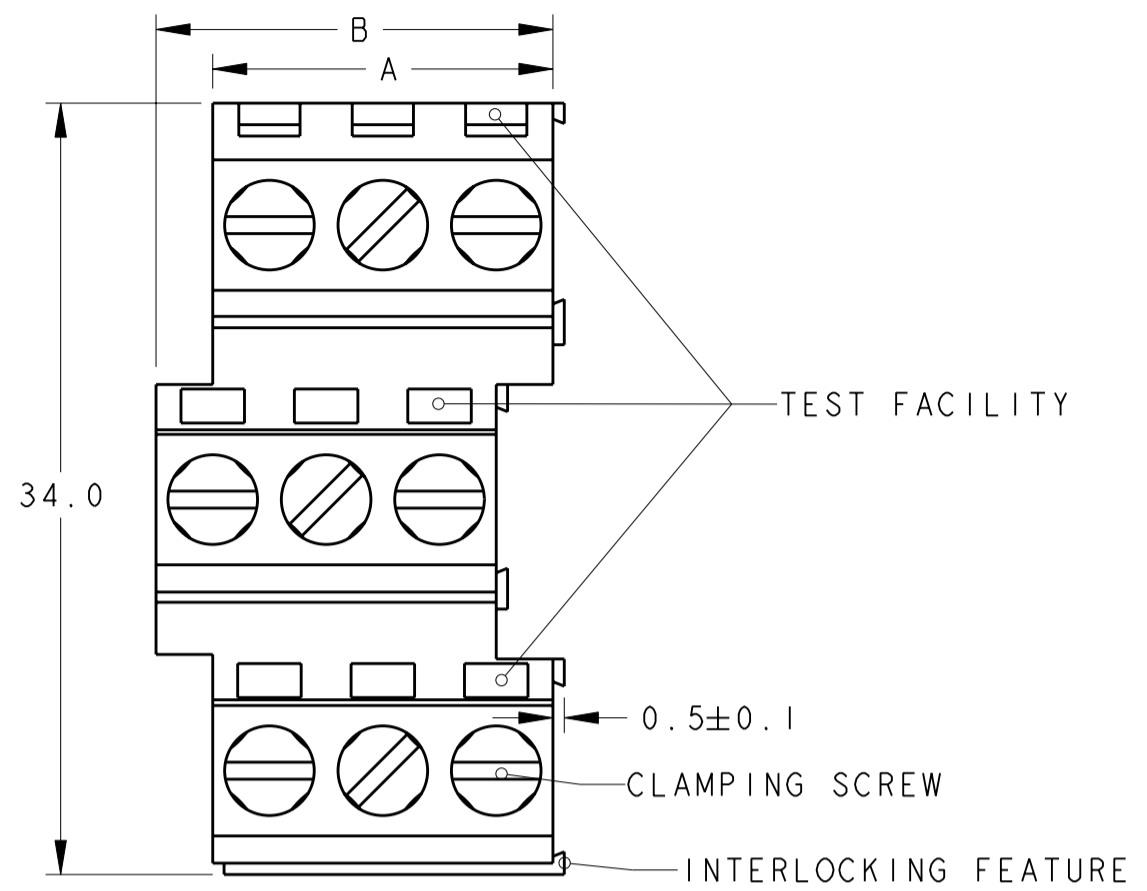
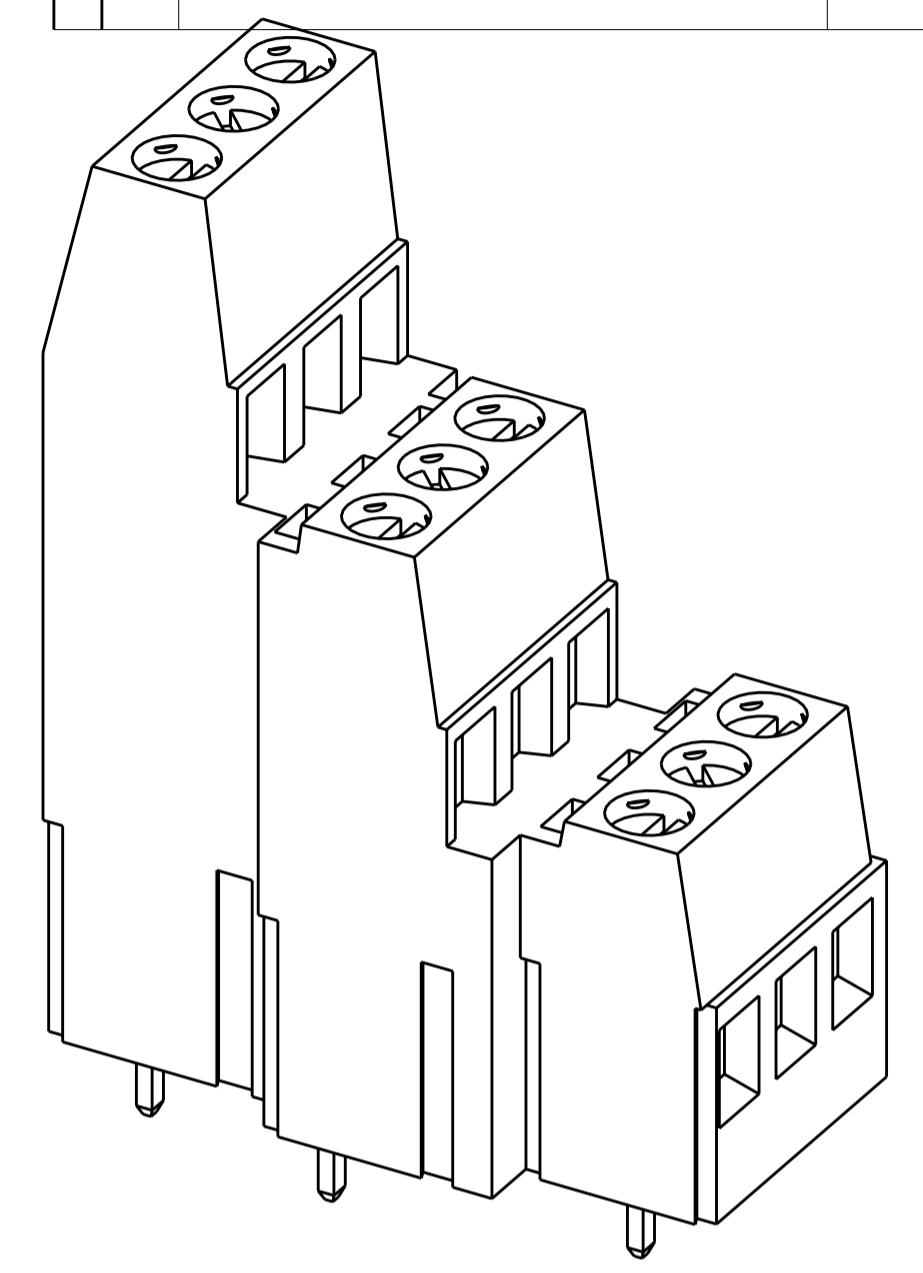
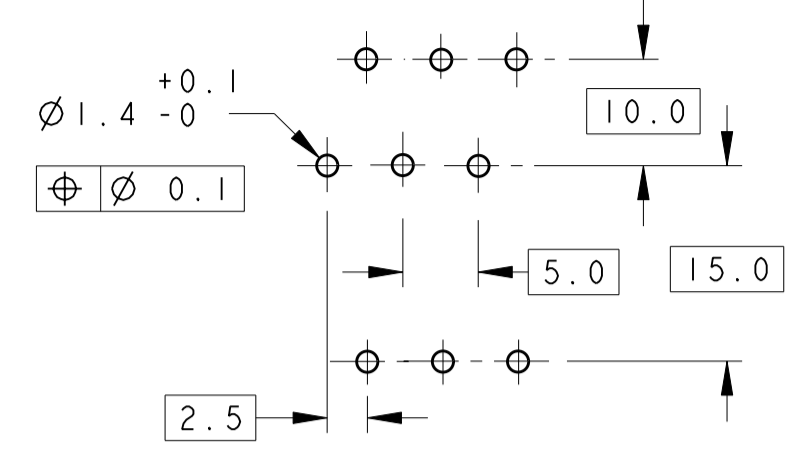


THIS DRAWING IS UNPUBLISHED. RELEASED FOR PUBLICATION 20  
 © COPYRIGHT 20 BY TYCO ELECTRONICS CORPORATION. ALL RIGHTS RESERVED.

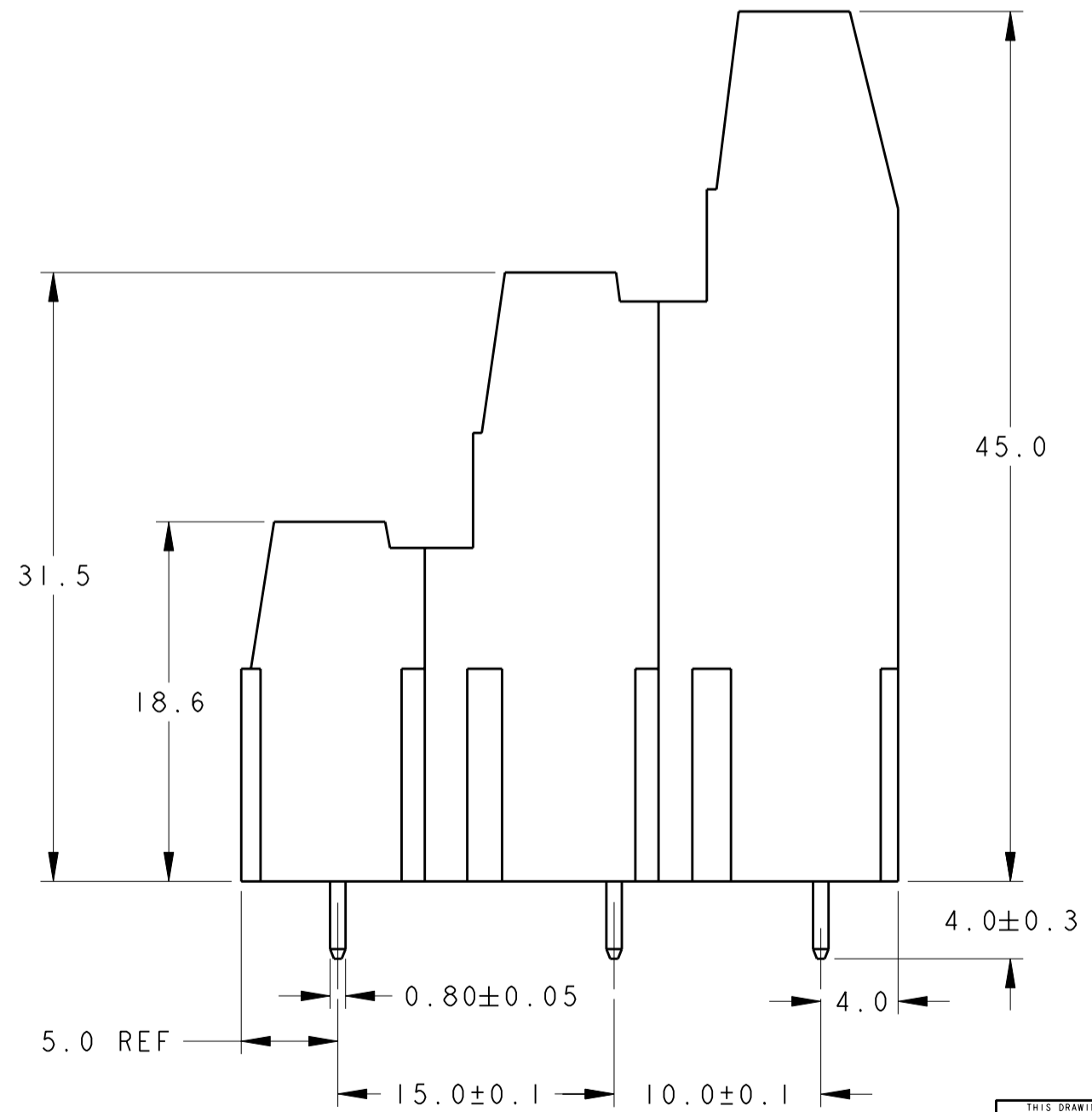
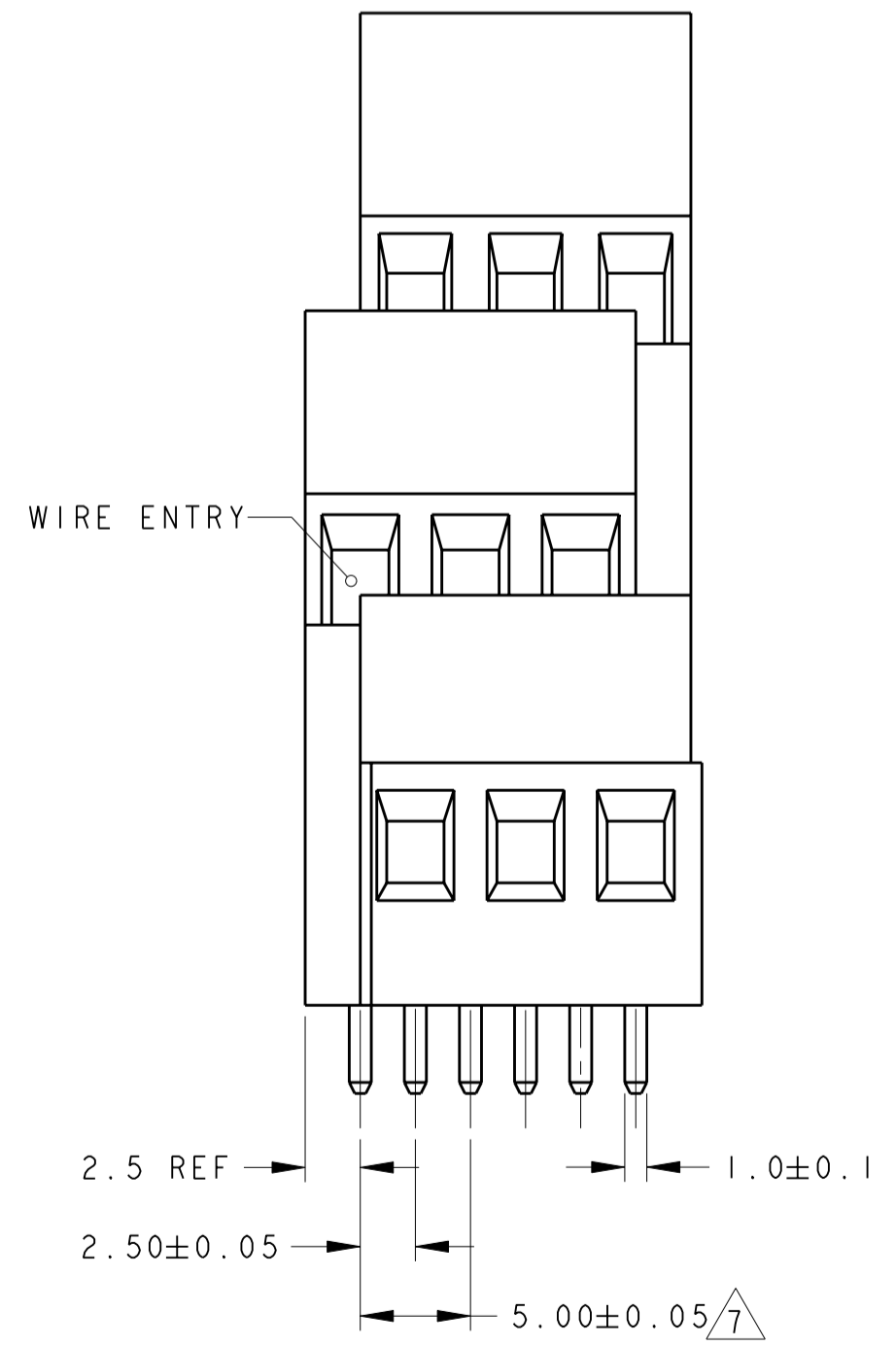
LOC	DIST	REVISIONS					
FT	0	P	LTR	DESCRIPTION	DATE	DWN	APVD
		CI		REVISED PER ECO-08-029356	24NOV2008	HMR	CR



RECOMMENDED PC BOARD LAYOUT



282916-3 AS SHOWN



- 1 MATERIALS AND FINISH  
 HOUSING: PA 6-6, UL 94-V0, COLOR: SEE TABLE.  
 CLAMP: BRASS, NICKEL PLATED.  
 TERMINAL: BRASS, TIN PLATED.  
 CLAMPING SCREW: M3, BRASS, NICKEL PLATED.
- 2 SUITABLE FOR 1,6-2,4mm PC BOARD THICKNESS.
- 3 END-TO-END STACKABLE W/INTERLOCK WITHOUT LOSS OF CENTERLINE SPACING.
- 4 WIRE SIZE RANGE  
 12 - 30 AWG
- 5 RECOGNIZED UNDER THE COMPONENT PROGRAM OF UNDERWRITERS LABORATORIES INC. FILE N° E60677.
- 6 IMQ CERTIFICATE WITH SURVEILLANCE IN CONFORMITY WITH IEC 998-1/998-2-1.
- 7 NOT CUMULATIVE TOLERANCE.

HOUSING COLOR	DIM. B	DIM. A	N° OF POS.	PART NUMBER
GRAY	17.5	15	3	1-282916-3
GREEN	17.5	15	3	282916-3
GREEN	12.5	10	2	282916-2

THIS DRAWING IS A CONTROLLED DOCUMENT FOR TYCO ELECTRONICS CORPORATION. IT IS SUBJECT TO CHANGE AND THE CONTROLLING ENGINEERING ORGANIZATION SHOULD BE CONTACTED FOR THE LATEST REVISION.

DIMENSIONS:	TOLERANCES UNLESS OTHERWISE SPECIFIED:	DWN	21DEC2001	Tyco Electronics Harrisburg, PA 17105-3608
mm	0 PLC ±-	CHK	21DEC2001	
	1 PLC ±.3	APVD	21DEC2001	
	2 PLC ±.25	NAME	D. BIEVENOUR	
	3 PLC ±-	PRODUCT SPEC	108-20166	TERMINAL BLOCK, PCB MOUNT THREE LEVEL STACKING WITH INTERLOCK, 5mm PITCH
	4 PLC ±-	APPLICATION SPEC	114-20079	SIZE CAGE CODE DRAWING NO A2 00779 C-282916
MATERIAL	FINISH	WEIGHT	-	RESTRICTED TO
				-

CUSTOMER DRAWING SCALE 3:1 SHEET 1 OF 1 REV CI