

THIS DRAWING IS UNPUBLISHED.

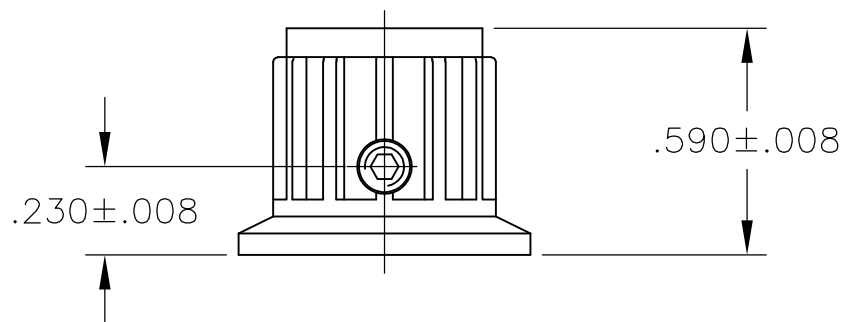
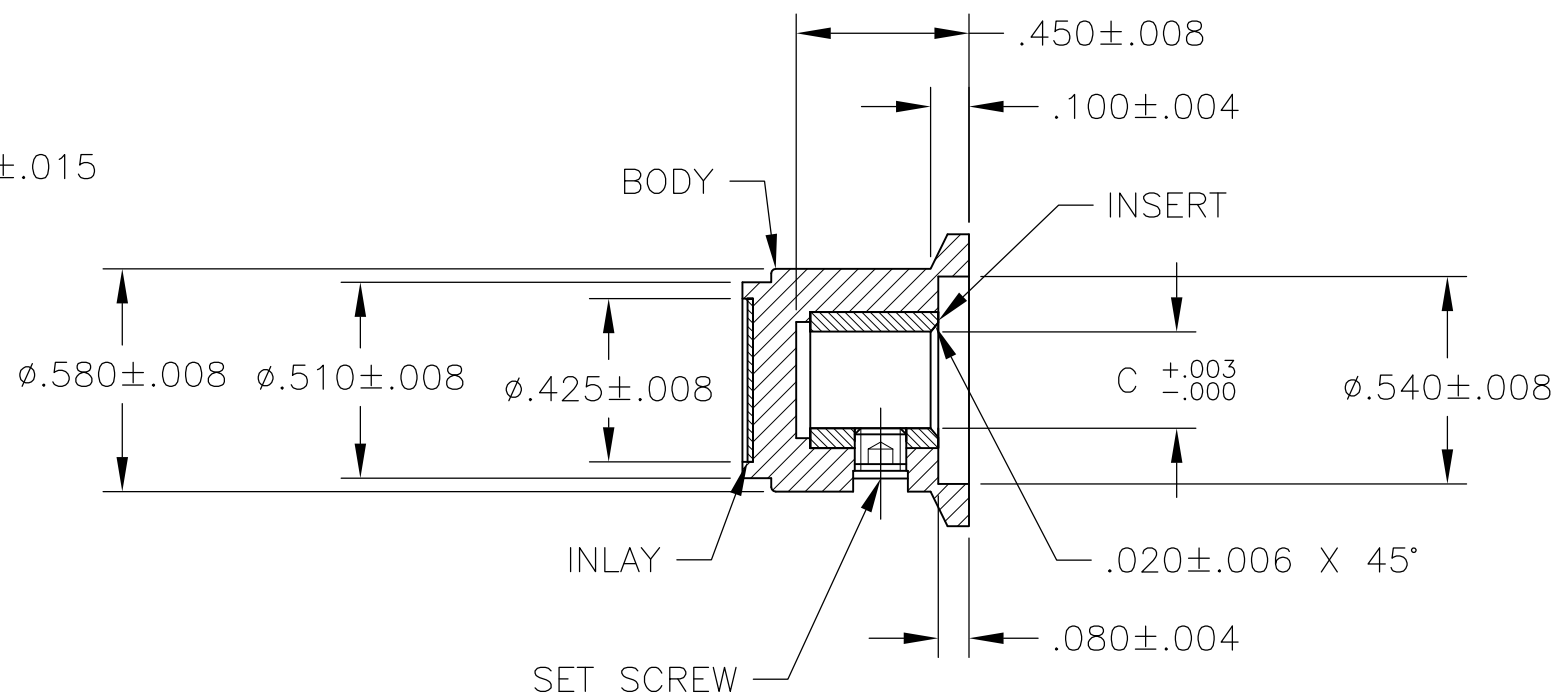
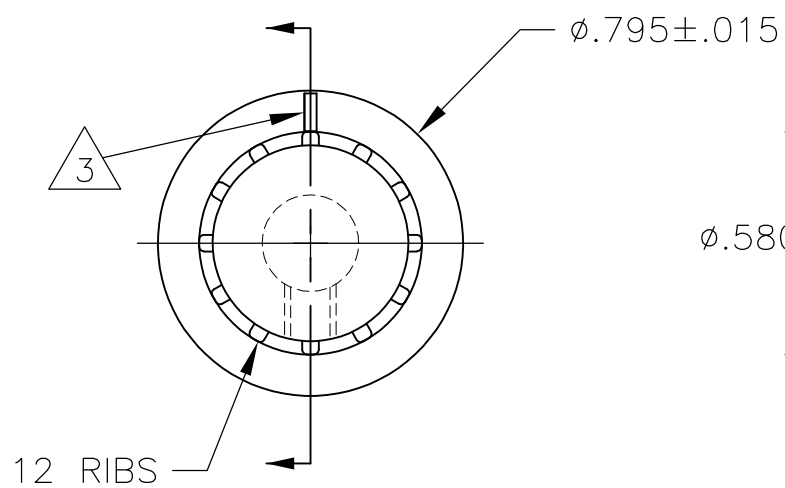
RELEASED FOR PUBLICATION

ALL RIGHTS RESERVED.

LOC AD DIST 0

REVISIONS

P	LTR	DESCRIPTION	DATE	DWN	APVD
D1		REVISED PER ECO-11-004917	11MAR11	RK	HMR



- MATERIAL AND FINISH:
 SKIRT AND INLAY: ALUMINUM .016 THK., CLEAR ACRYLIC COATED
 BODY: PHENOLIC, BLACK, HIGH GLOSS FINISH (SPE/SP1#A2)
 SET SCREW: 303 STAINLESS STEEL, BLACK ANODIZED
 INSERT: BRASS

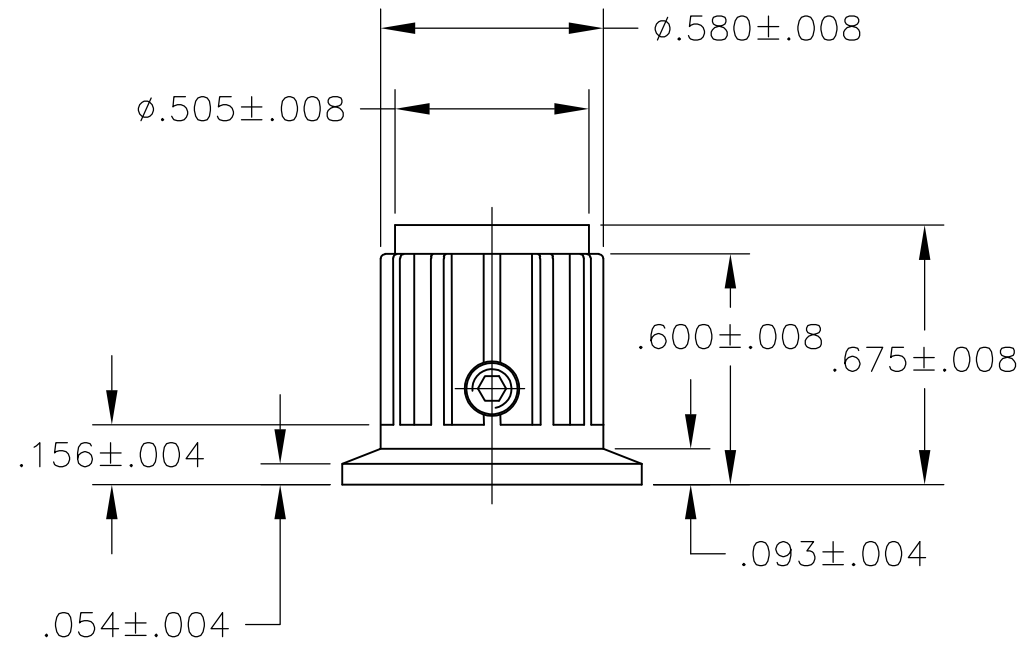
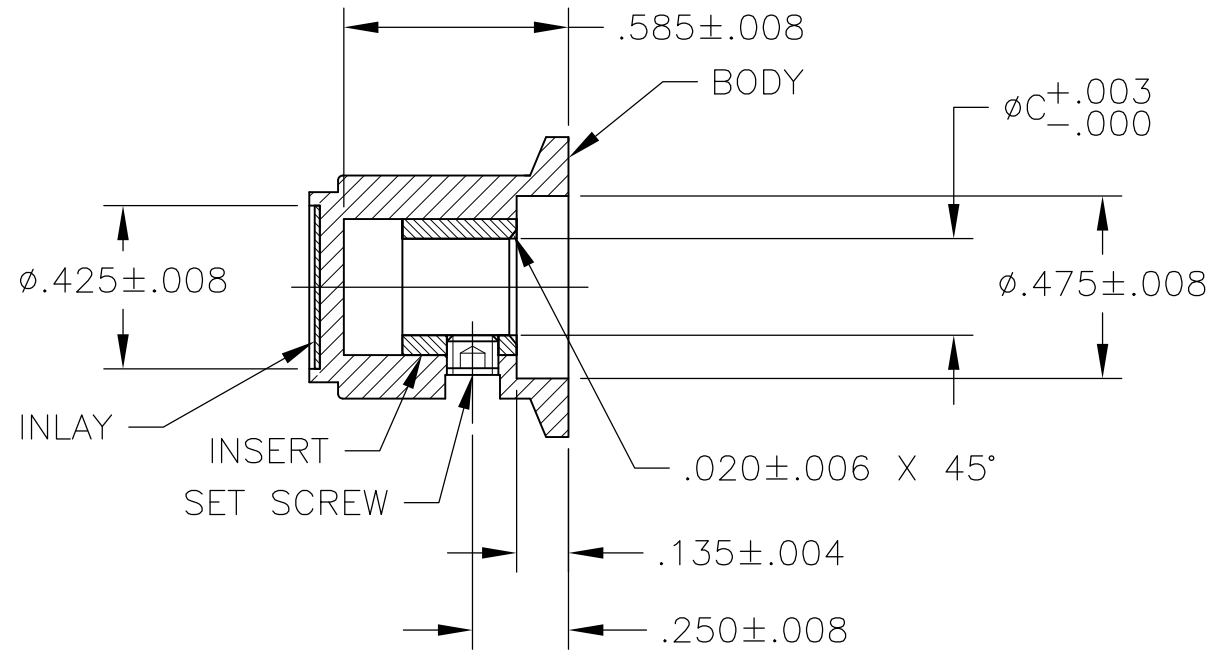
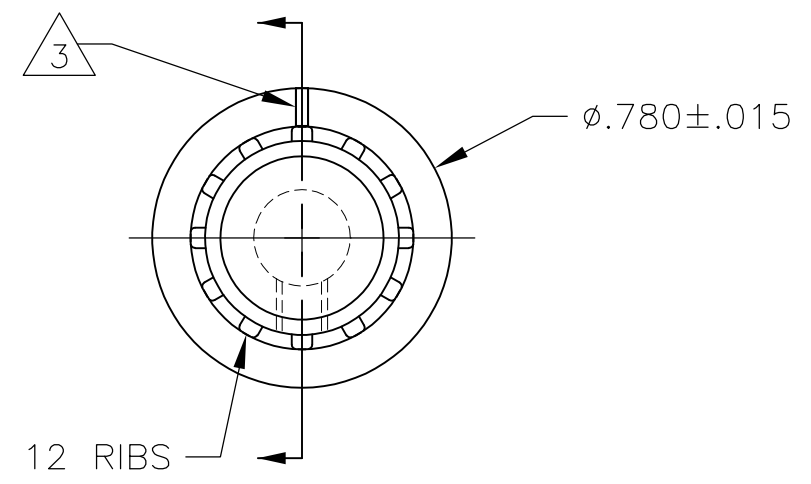
- SET SCREW ARE UNC-2A, CUP POINT, HEX SOCKET TYPE.
- INDICATOR, PAINTED FULL, COLOR: WHITE; .02 ± 0.01 DEEP
- RETENTION FORCE OF INSERT IN KNOB BODY: 2 LBS MIN.

#6-32 X .188	.126	PKA50B1/8	1-1437624-1
#6-32 X .125	.251	PKA50B1/4	1-1437624-0
SET SCREW	C	MODEL NUMBER	PART NUMBER
	SHAFT HOLE		

THIS DRAWING IS A CONTROLLED DOCUMENT.		DWN M.BINNER	25MAR03	TE Connectivity	
DIMENSIONS: INCHES		CHK -	APVD -		
		TOLERANCES UNLESS OTHERWISE SPECIFIED: 0 PLC ± - 1 PLC ± - 2 PLC ± - 3 PLC ± - 4 PLC ± - ANGLES ± -		PKA KNOB SERIES STANDARD	
MATERIAL -		FINISH -		PRODUCT SPEC -	APPLICATION SPEC -
		WEIGHT -		SIZE A3	CAGE CODE 00779
		CUSTOMER DRAWING		DRAWING NO C-1-1437624-0	RESTRICTED TO -
		SCALE 2:1		SHEET 1 OF 4	REV D1

THIS DRAWING IS UNPUBLISHED. RELEASED FOR PUBLICATION
 © COPYRIGHT - By - ALL RIGHTS RESERVED.

LOC	DIST	REVISIONS					
AD	0	P	LTR	DESCRIPTION	DATE	DWN	APVD
		-		SEE SHEET 1	-	-	-



#6-32 X .188	.126	PKA55B1/8	1-1437624-4
#6-32 X .125	.251	PKA55B1/4	1-1437624-3
SET SCREW	C	MODEL NUMBER	PART NUMBER
2	SHAFT HOLE		

THIS DRAWING IS A CONTROLLED DOCUMENT.		DWN M.BINNER	25MAR03	TE Connectivity			
DIMENSIONS: INCHES		CHK	-				
		TOLERANCES UNLESS OTHERWISE SPECIFIED:		PKA KNOB SERIES STANDARD			
		0 PLC	± -	APVD	-	PRODUCT SPEC	
MATERIAL		1 PLC	± -	APPLICATION SPEC		-	-
FINISH		2 PLC	± -	SIZE	CAGE CODE	DRAWING NO	RESTRICTED TO
		3 PLC	± -	A3 00779		C-1-1437624-0	-
		4 PLC	± -	CUSTOMER DRAWING			
		ANGLES	± -	SCALE	1:1	SHEET	2 OF 4
				REV		D1	

THIS DRAWING IS UNPUBLISHED.

RELEASED FOR PUBLICATION

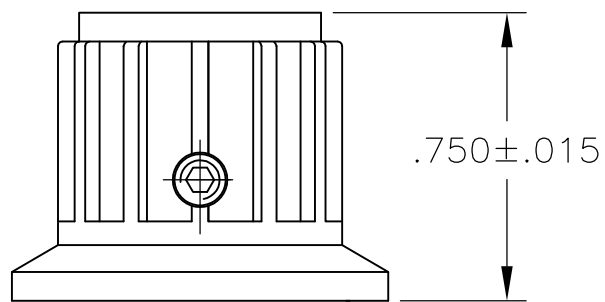
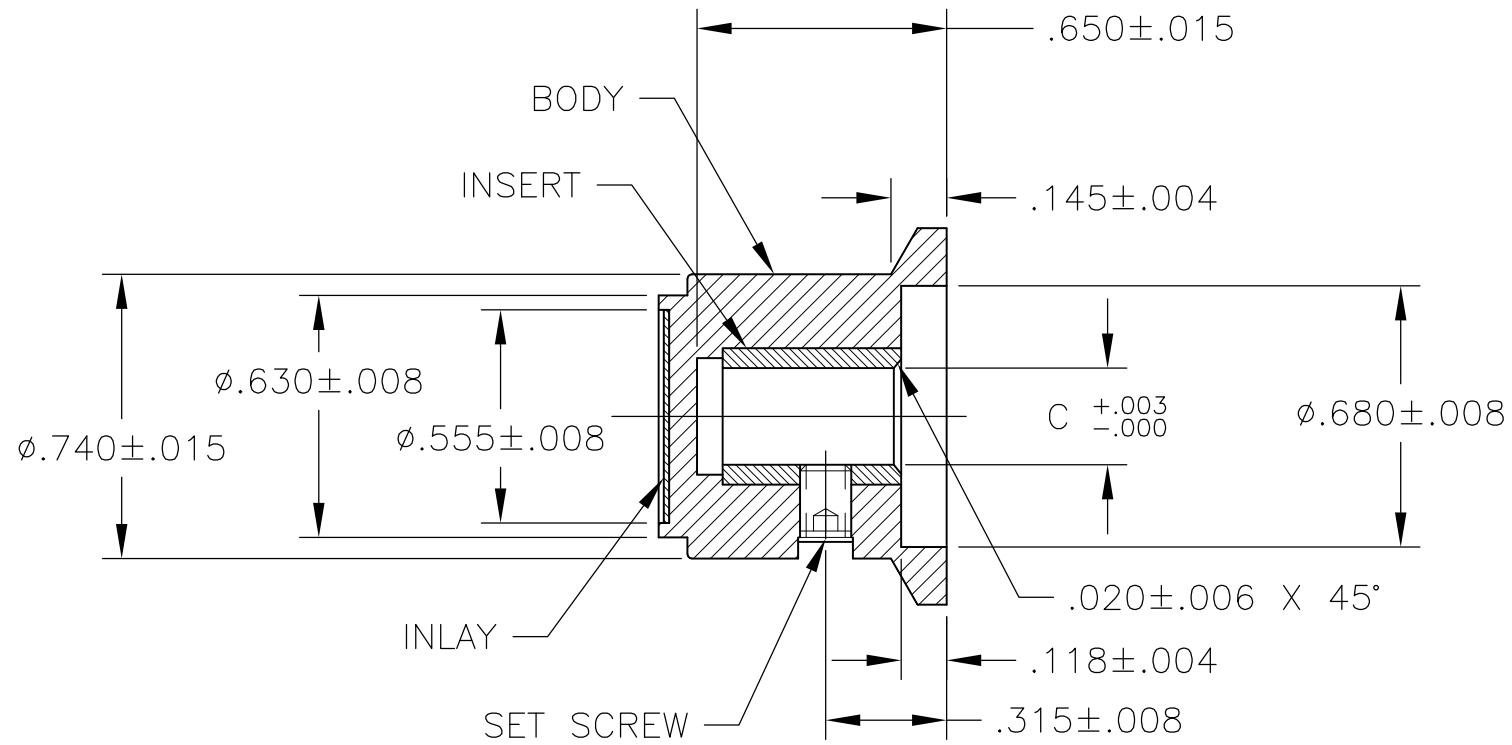
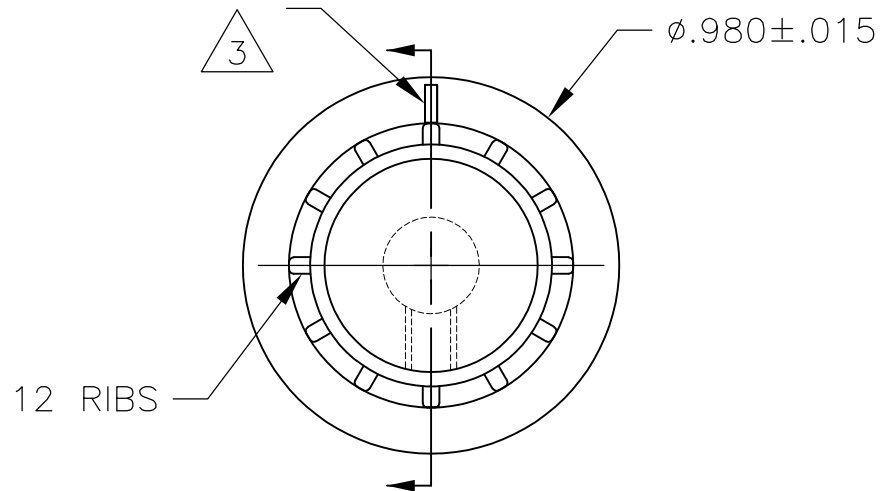
ALL RIGHTS RESERVED.

© COPYRIGHT - By -

LOC AD DIST 0

REVISIONS

P	LTR	DESCRIPTION	DATE	DWN	APVD
-	-	SEE SHEET 1	-	-	-



#6-32 X .188	.251	PKA70B1/4	1-1437624-5
SET SCREW	C SHAFT HOLE	MODEL NUMBER	PART NUMBER

THIS DRAWING IS A CONTROLLED DOCUMENT.		DWN M.BINNER	25MAR03	STE TE Connectivity			
DIMENSIONS: INCHES		CHK -	APVD -				
TOLERANCES UNLESS OTHERWISE SPECIFIED:		PRODUCT SPEC		PKA KNOB SERIES STANDARD			
0 PLC ± -		APPLICATION SPEC		SIZE	CAGE CODE	DRAWING NO	RESTRICTED TO
1 PLC ± -		MATERIAL -		A300779		C-1-1437624-0	-
2 PLC ± -		FINISH -		CUSTOMER DRAWING			
3 PLC ± -		MATERIAL -		SCALE	SHEET	REV	
4 PLC ± -		MATERIAL -		1:1	3 OF 4	D1	
ANGLES ± -		MATERIAL -					

4

3

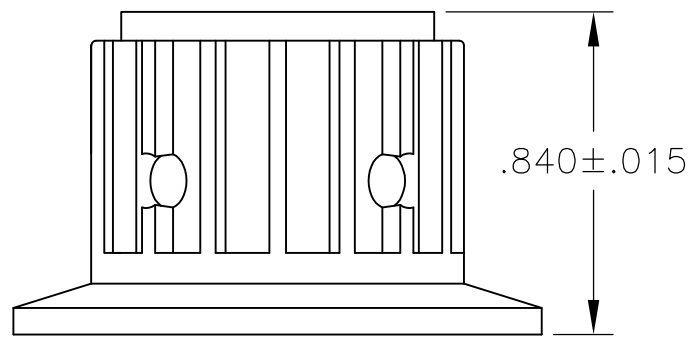
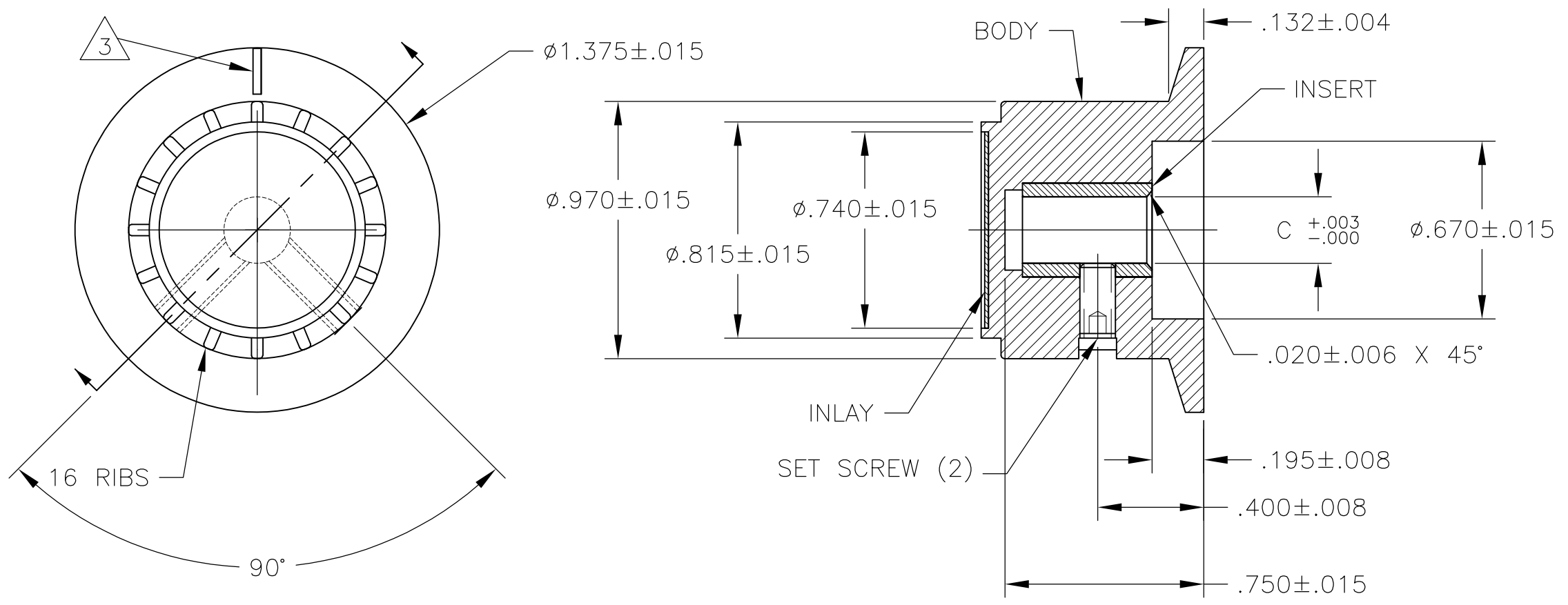
2

1

THIS DRAWING IS UNPUBLISHED. RELEASED FOR PUBLICATION -,- -

© COPYRIGHT - By - ALL RIGHTS RESERVED.

LOC	DIST	REVISIONS					
AD	0	P	LTR	DESCRIPTION	DATE	DWN	APVD
		-		SEE SHEET 1	-	-	-



#6-32 X .188	.251	PKA90B1/4	1-1437624-7
SET SCREW	C	MODEL NUMBER	PART NUMBER
SHAFT HOLE			

THIS DRAWING IS A CONTROLLED DOCUMENT.		DWN	M.BINNER	25MAR03	STE TE Connectivity		
DIMENSIONS: INCHES		CHK	-	-			
TOLERANCES UNLESS OTHERWISE SPECIFIED:		APVD	-	-	NAME		
0 PLC ± -		PRODUCT SPEC	-	-			
1 PLC ± -		APPLICATION SPEC	-	-	CAGE CODE		
2 PLC ± -		WEIGHT	-	-			
3 PLC ± -		CUSTOMER DRAWING	-	-	RESTRICTED TO		
4 PLC ± -							
ANGLES ± -					SHEET		
FINISH							
MATERIAL					4 OF 4		