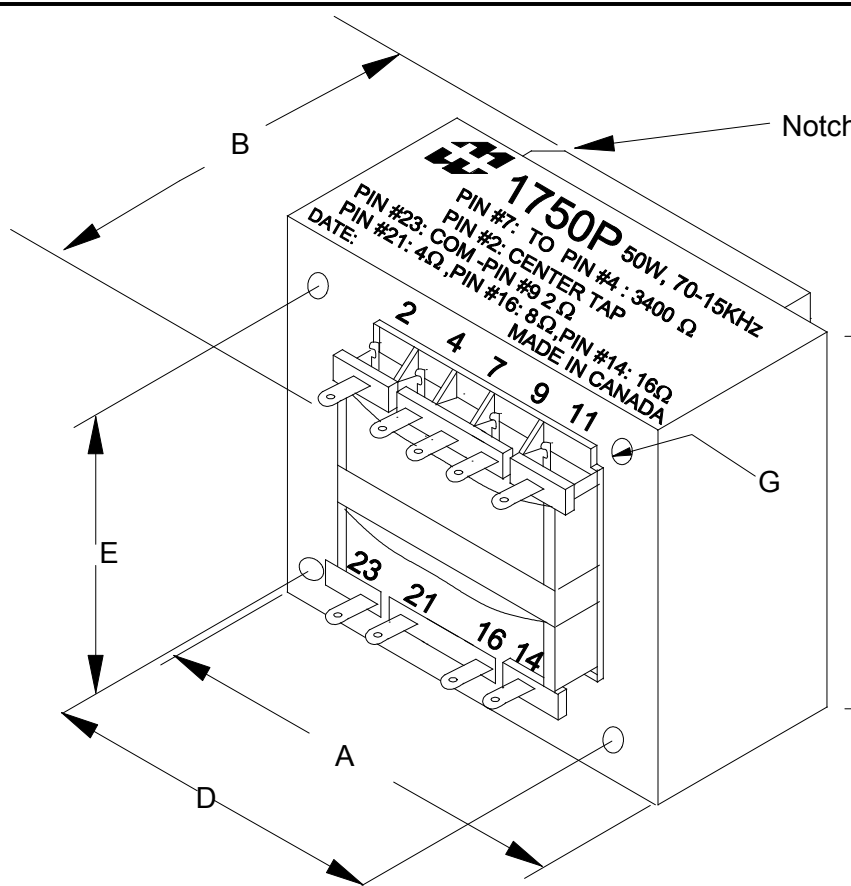
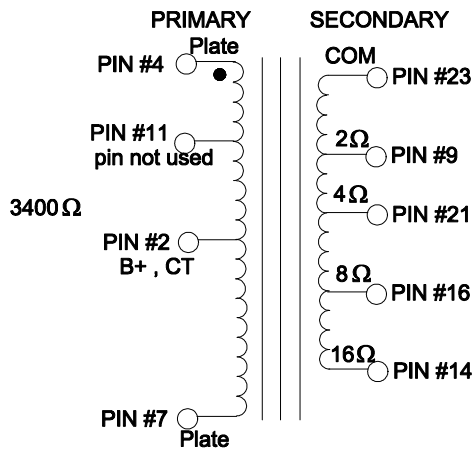


1750P



DIMENSIONS:	
A	3.750" ±0.063
B	3.090" ±0.125
C	3.125" ±0.063
D	3.125" ±0.063
E	2.50" ±0.063
G	.2175" ±0.010



ELECTRICAL DATA:

Turns ratio:	14.24 : 1 (16 ohm tap)
Inductance	@240V,50Hz =>79.58H (Open circuit)
DCR	@ 20C, PIN #7 - PIN #2 = 41.3 Ω ±20%
	@ 20C, PIN #2 - PIN #4 = 40.5 Ω ±20%
	@ 20C, PIN #7 - PIN #4 = 81.80 Ω ±20%
	@ 20C, PIN #23 - PIN #9 = 0.21 Ω ±20%
	@ 20C, PIN #9 - PIN #21 = 0.12 Ω ±20%
	@ 20C, PIN #21 - PIN #16 = 0.15Ω ±20%
	@ 20C, PIN #16 - PIN #14 = 0.21 Ω ±20%
FREQ. RESP	@ 50W (316.2V), 50Hz-12kHz, pin7 - Pin4 ±1db (1kHz Ref.)
Pri. Impedance	3400 Ω CT (412.3V)
Sec. Impedance	2Ω(10V 5.0A)/ 4Ω (14.1V 3.5A)/ 8Ω (20.0V 2.5A)
Power	50 WATTS

**HAMMOND
ELECTRONICS**
52 RANKIN PLACE,
WATERLOO, ONTARIO, N2L 3Z5.
PHONE (519) 886-6181
FAX # (519) 886-9540

TITLE **OUTPUT TRANSFORMER**

1	11/11/11	corrected impedance / pin numbers	DR BY IOAN POP
0	05/11/09	PRELIMINARY.	I.P. DATE 05/11/09
NO	DATE	REVISION	DIM IN(X)MM()

1750P