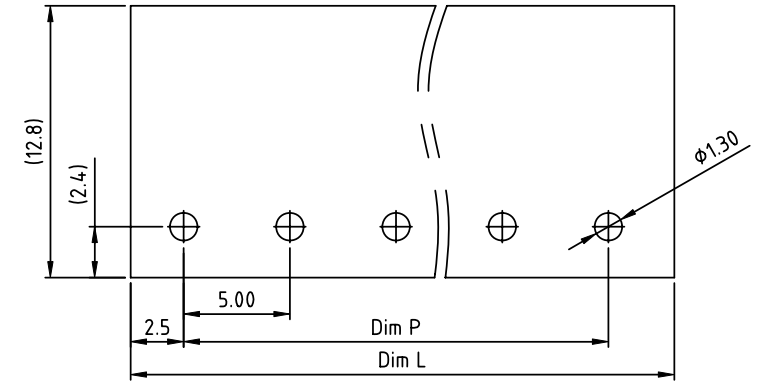
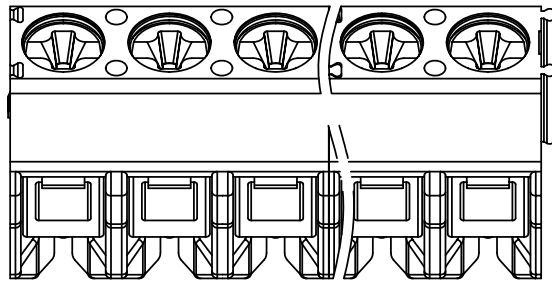


PRODUCT NUMBER	PITCH
KZxx70x000J0G	5.00 mm



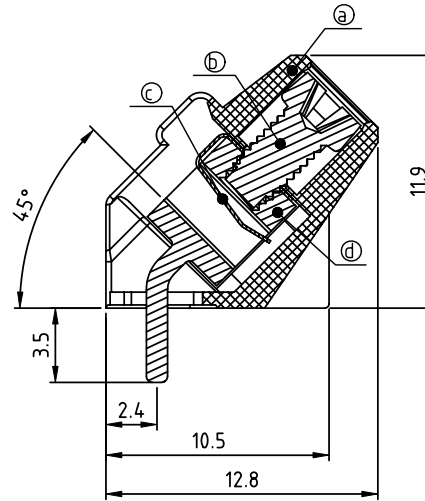
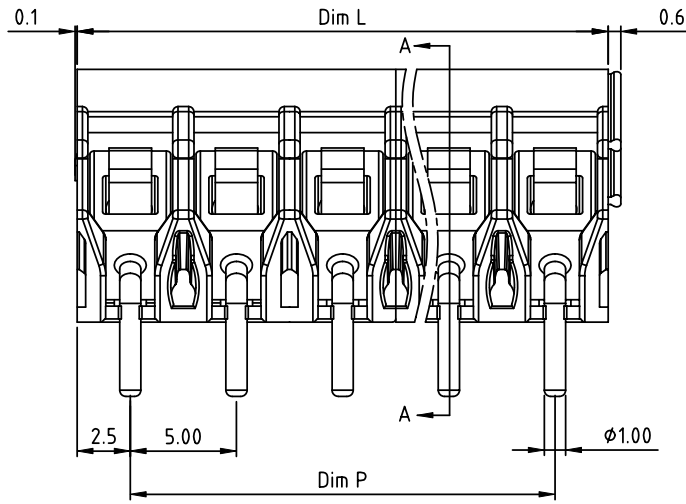
RECOMMENDED P.C.B LAYOUT
TOP VIEW

Materials

- Item ① Terminal housing: PA66 (UL94V-0)
- Item ② Terminal screw: Steel Zinc plating "+/-" slot type
- Item ③ Wire guard :Stainless steel
- Item ④ Terminal body :Brass(CuZn) ,Tin Plated

Electrical cULus

- Voltage rating: 300VAC
- Current rating: 15A
- Wire range:
- Solid wire(AWG): 12-26
- Stranded wire(AWG): 12-26
- Torque(Lb-In): 2.4
- Screw: M2.6
- Wire strip length: 5-6mm
- Withstanding Voltage: 1.6KV
- Operating temperature: -40°C to +115°C
- Soldering temperature: 260°C±5°C/5 Sec
- Safety Approval: cULus



SECTION A-A

N = Number of poles
Dim L=Nx5.0
Dim P=(N-1)x5.0

Poles	Dim. L	Dim L	Dim P
2-6p	±0.15	±0.15	
7-12p	±0.25	±0.25	
13-18p	±0.35	±0.35	
19-24p	±0.40	±0.40	

PART NO.: KZ xx 7 0 x 0 00J0 G

- End stackable
- No. of poles
- 02 2 poles
- 03 3 poles
-
- 24 24 poles
- Body Color
- 0 Black (RAL9005)
- 2 Red (RAL3001/D)
- 3 Orange(RAL2011/P)
- 4 Yellow(RAL1018/A)
- 5 Green(RAL6018/T)
- 6 Blue (RAL5015/A)
- 8 Grey(RAL7035/D)
- 9 White(RAL1102)
- C Green(RAL6018/U)
- RoHS compliant (lead<4%) In copper Alloy

mat'l. code		surface ASME Y14.5	tolerance ASME Y14.5	projection	product family
ltr ecn no dr date		tolerances unless otherwise specified		MM	TERMINAL BLOCK
		angles	X.±0.5	scale	title
		X°±1'	X.X±0.3		TERMINAL BLOCK
			X.XX±0.1		WIRE PROTECTOR,SQUARE HOLE,45D WIRE INLET
		dr	EVIN ZHONG 040314	FCI	dwg no
		enrg	EVIN ZHONG 040314		sheet 1 of 1
		chr	HANKE FENG 040314		size
		appd	SHI JUN 040314		KZxx70x000J0G A4
		type			CUSTOMER Drawing
sheet index	revision sheet	A	1		