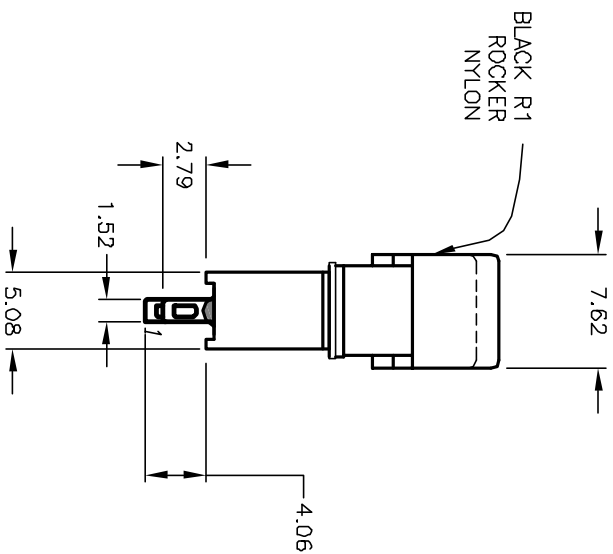
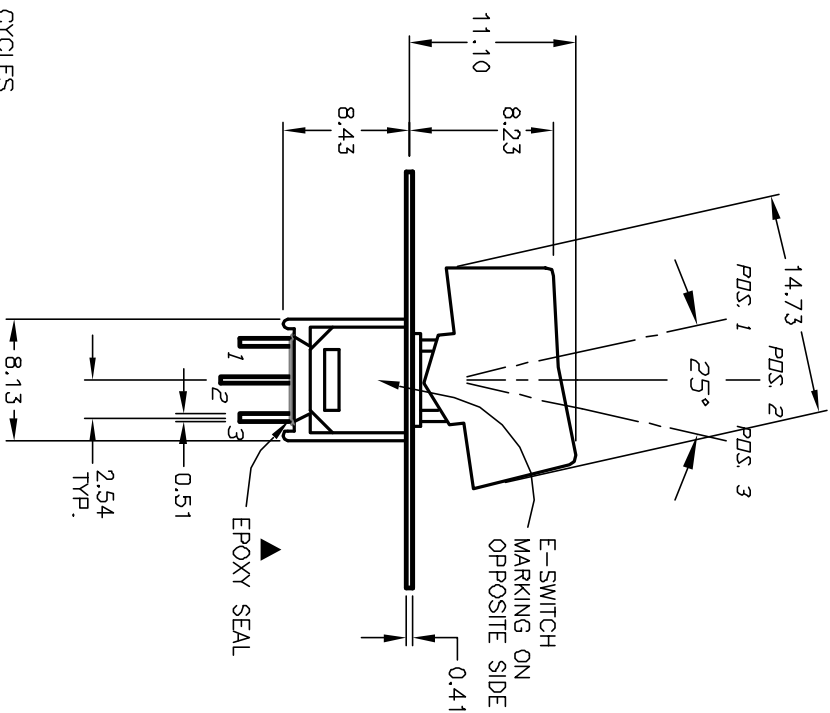


| SWITCH FUNCTION | | |
|-----------------|--------|--------|
| POS. 1 | POS. 2 | POS. 3 |
| DN | NDNE | DN |
| 2-3 | OPEN | 2-1 |

NOTES:

1. ALL DIMENSIONS IN MM
2. GENERAL TOLERANCE: X.X=±0.4
X.XX=±0.25
3. TERM. NOS. FOR REF. ONLY
4. RATING: 3A @120V AC or 28VDC;
1A @250V AC
5. FIXED TERMINAL/MOVING CONTACT:
COPPER ALLOY W/Silver plate
AT FULL LOAD.
6. ELECTRICAL LIFE: 30,000 MAKE-BREAK CYCLES
7. INSULATION RESISTANCE: 1000M OHM TYPICAL
8. DIELECTRIC STRENGTH: 1,000 V RMS @SEA LEVEL
9. OPERATING TEMP.: -30°C to 85°C



| | | | | |
|------|---------|-------------|---------|------|
| REV. | ECN NO. | DESCRIPTION | DATE | CHKD |
| A | 12367 | RELEASED | 8/14/02 | CB |

| | | | | | | |
|--------------------------|--|-------|------|----|---------|-----|
| TITLE | | SCALE | DATE | DR | DWG | REV |
| 400 WSP-1 R1 (BLK) M1 QE | | 2:1 | -- | -- | T411008 | A |

E-SWITCH®

THE INFORMATION CONTAINED IN THIS DOCUMENT IS PREPARED FOR E-SWITCH AND IS NOT TO BE COPIED OR TRANSMITTED