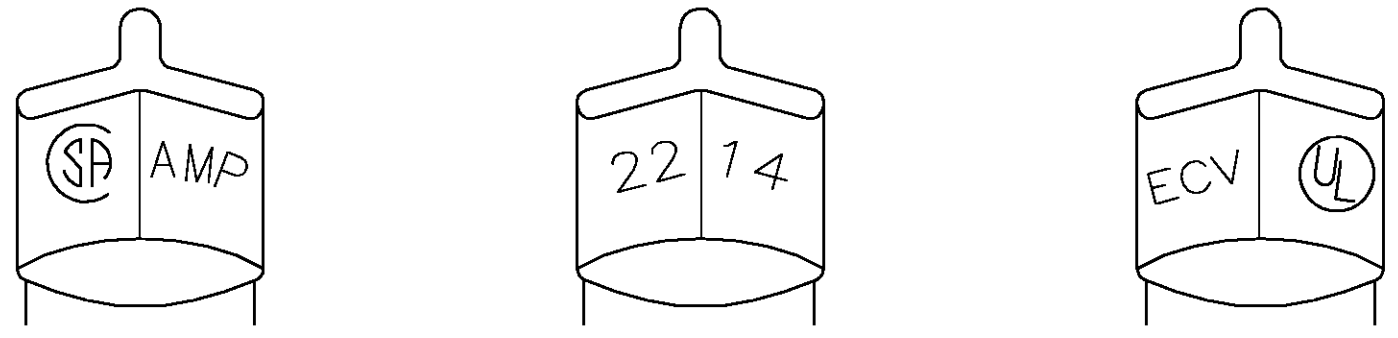


THIS DRAWING IS UNPUBLISHED. RELEASED FOR PUBLICATION
 © COPYRIGHT - BY TYCO ELECTRONICS CORPORATION. ALL RIGHTS RESERVED.

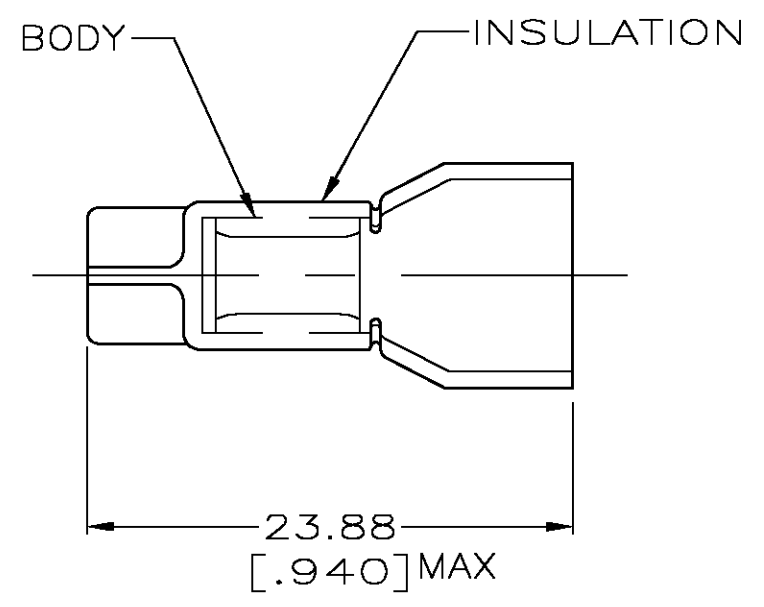
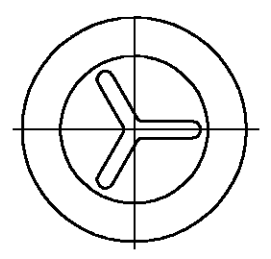
LOC	DIST	REVISIONS					
		P	LTR	DESCRIPTION	DATE	DWN	APVD
G	14		D	REV PER 0G3A-0256-04	08APR04	JR	TM

AMP WIRE RANGE	Listed FILE E13288	LR7189 Certified
22-14 AWG SOLID OR STRANDED	22-14 AWG SOLID OR STRANDED	22-14 AWG SOLID OR STRANDED



STAMPING DETAIL

- 1 FOR 5.97 [.235] MAX WIRE INSULATION DIA
- MATERIAL: BODY - COPPER
INSULATION - PVC
- FINISH: BODY - TIN PLATE PER ASTM B-545
INSULATION - PURPLE



-	LOOSE PIECE	55843-1
QTY	DESCRIPTION	PART NO

AMP INCORPORATED CUSTOMER SERVICE SYSTEMS		MAX RECOMMENDED OPERATING TEMPERATURE: 105° C	THIS DRAWING IS A CONTROLLED DOCUMENT.		DWN G KRUPER 01-11-93	Tyco Electronics Corporation Harrisburg, Pa 17105-3608	
FOR ADDITIONAL PRODUCT INFORMATION OR COPIES OF DRAWINGS AND TECHNICAL DOCUMENTS	PRODUCT INFORMATION CENTER 1-800-522-6752	VOLTAGE RATING: 600V MAX (BUILDING WIRING) 1000V MAX (FIXTURES & SIGNS)	DIMENSIONS: INCHES	TOLERANCES UNLESS OTHERWISE SPECIFIED:	CHK R HERSEY 01-11-93	NAME SPLICE, WIRE, CLOSED END	
FOR APPLICATION TOOLING INFORMATION	TOOLING ASSISTANCE CENTER 1-800-722-1111	CIRCULAR MIL AREA: 0.26-2.63mm ² [509-5180] SOLID OR STRANDED		0 PLC ± - 1 PLC ± - 2 PLC ± 0.20 [.008] 3 PLC ± - 4 PLC ± - ANGLES ± -	APVD M ELLIS 01-11-93	PRODUCT SPEC	SIZE
FOR ORDER ENTRY	1-800-526-5142	THIS DRAWING IS A CONTROLLED DOCUMENT FOR AMP INCORPORATED. IT IS SUBJECT TO CHANGE AND THE CONTROLLING ENGINEERING ORGANIZATION SHOULD BE CONTACTED FOR THE LATEST REVISION.	MATERIAL	FINISH	APPLICATION SPEC	APPLICATION SPEC	CAGE CODE
			-	-	WEIGHT	WEIGHT	DRAWING NO
					CUSTOMER DRAWING		RESTRICTED TO
					SCALE 2:1		SHEET 1 OF 1
					REV D		