

# SMT Gate Drive Transformer

1500Vdc Basic and Operational Insulation



- Maximum Reflow Temperature: +235°C
- Storage Temperature: -55°C to +130°C
- Moisture Sensitivity Level (MSL): 3
- 1500 V<sub>DC</sub> isolation between Gate and Drive
- Basic Insulation (1.4mm creepage/clearance) and operational available
- Part designed for rugged environments
- Construction techniques assure excellent resistance to vibration and shock
- Operating frequency: 50kHz and up
- Tape and Reel packaging available
- Lead Finish: SnPb

## Electrical Specifications @ 25°C — Operating Temperature -40°C to +130°C

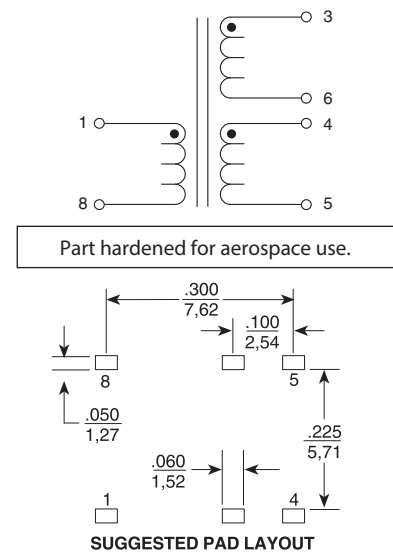
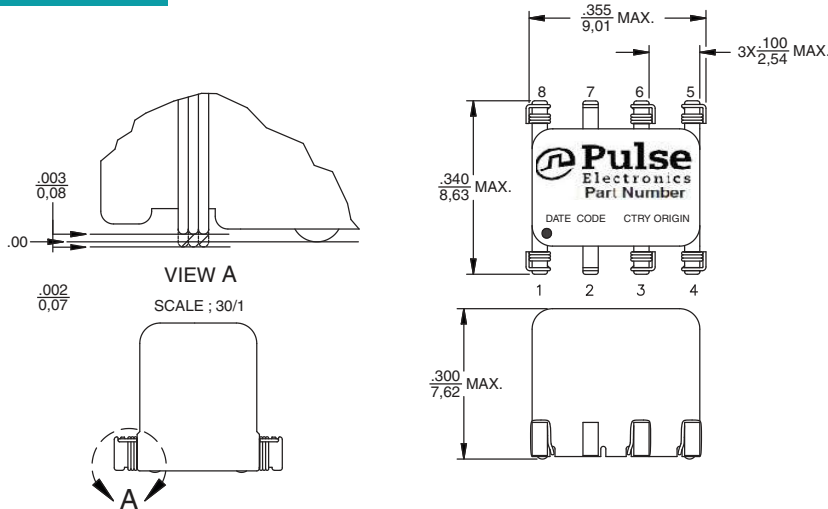
Part Number	Turns Ratio	Pri-Sec Isolation (V <sub>DC</sub> )	MAX <sup>1</sup> V*μsec	Primary Inductance (mH MIN)	Leakage <sup>2</sup> Inductance (μH MAX)	DCR Primary (Ω MAX)	DCR Secondary (Ω MAX)	Package Size (L x W x H) (mm MAX)
X-1569	1:1	1500	45.1	3.3	0.700	1.6	1.6	9.0 x 8.6 x 7.6

- NOTES: 1. The maximum volt-sec rating limits the flux density to 2200 Gauss when used in a unipolar drive application. For bi-polar drive applications a maximum volt-sec of two times this rating is acceptable. (2\*(volt\* sec ratio))  
 2. Leakage Inductance is measured at the primary terminals with all secondaries shorted.  
 3. Add suffix "T" to part number for Tape & Reel package.  
 4. To order a RoHS compliant part, add the suffix "NL" to the part number, i.e. X-1569 becomes X-1569NL.

## Electrical Schematic

## Schematic

X-1569



## For More Information

**Pulse Worldwide Headquarters**  
 Two Pearl Buck Court  
 Bristol, PA 19007  
 U.S.A.

**Pulse Europe**  
 Zeppelinstrasse 15  
 71083 Herrenberg  
 Germany

**Pulse China Headquarters**  
 B402, Shenzhen Academy of  
 Aerospace Technology Bldg.  
 10th Kejianan Road  
 High-Tech Zone  
 Nanshan District  
 Shenzhen, PR China 518057  
 Tel: 86 755 33966678  
 Fax: 86 755 33966700

**Pulse North China**  
 Room 2704/2705  
 Super Ocean Finance Ctr.  
 2067 Yan An Road West  
 Shanghai 200336  
 China

**Pulse South Asia**  
 135 Joo Seng Road  
 #03-02  
 PM Industrial Bldg.  
 Singapore 368363

**Pulse North Asia**  
 3F No. 198, Zhongyuan Road  
 Zhongli City  
 Taoyuan County (32068)  
 Taiwan

Tel: 215 781 6400  
 Fax: 215 781 6403

Tel: 49 7032 7806 0  
 Fax: 49 7032 7806 12

Tel: 86 21 62787060  
 Fax: 86 2162786973

Tel: 65 6287 8998  
 Fax: 65 6287 8998

Tel: 886 3 4356768  
 Fax: 886 3 4356823

Performance warranty of products offered on this data sheet is limited to the parameters specified. Data is subject to change without notice. Other brand and product names mentioned herein may be trademarks or registered trademarks of their respective owners. © Copyright, 2013. Pulse Electronics, Inc. All rights reserved.