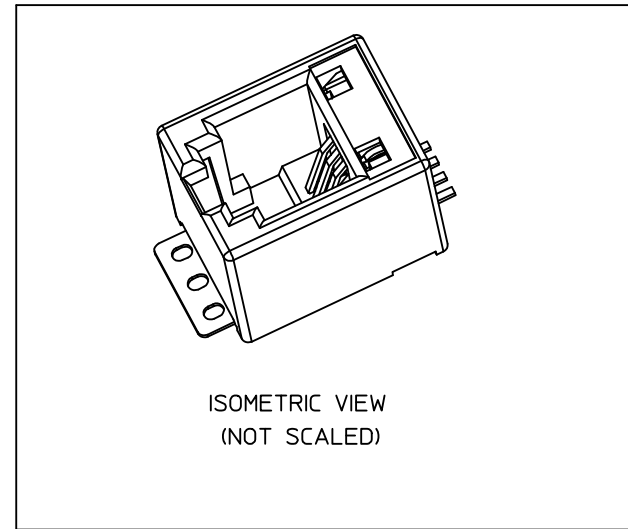
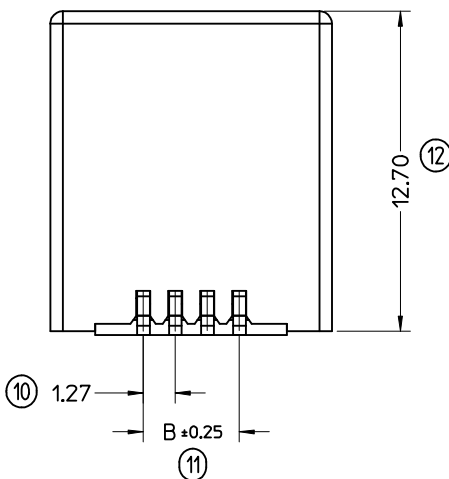


NOTES:

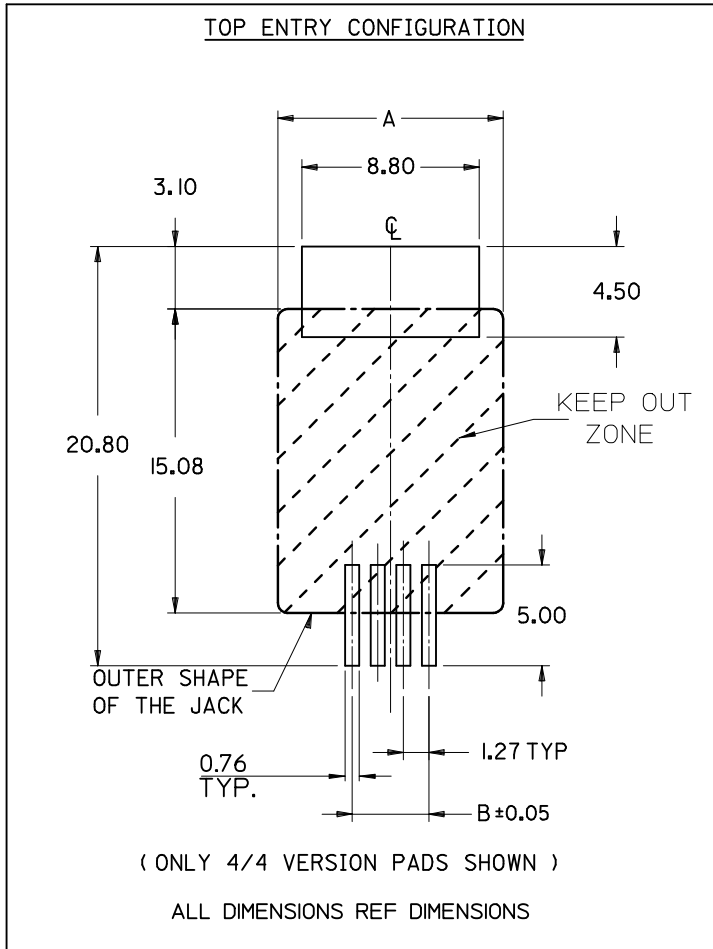
- 1- MATERIAL:
 -HOUSING: LCP GLASS FILLED UL 94-V0, COLOUR BLACK.
 -TERMINAL: COPPER ALLOY PLATED WITH:
 BASE FINISH: NICKEL
 CONTACT SURFACE FINISH:
 GOLD,
 OR
 GOLD FLASH OVER PALLADIUM NICKEL.
 EXCEEDS PRODUCT REQUIREMENTS BASED ON PS-85513-002
- 2- JACK FOR MATING WITH IEC 60603-7 AND TIA-1096-A PLUGS (MOLEX 90075 SERIES).
- 3- PRODUCT SPECIFICATION: PS-85513-002.
- 4- PACKAGING SPECIFICATION (SEE CHART SHEET2):
 PK-85513-001 SHEET 3 (BLISTER ON REEL 13")
 PK-85133-001 SHEET 1 (BLISTER ON REEL 15")
 PK-85513-001 SHEET 2 (BLISTER ON REEL 22")
- 5- FLAT SURFACE ON BOTH SIDES FOR PICK AND PLACE PURPOSE
- 6- COPLANARITY OF LEADS AND TABS: 0.10 MAX
- 7- SEE RECOMMENDED PCB LAYOUT ON SHEET 2
- 8- FOR DRAWING PURPOSE, ONLY 4/4 VERSION SHOWN.
- 9- MANUFACTURING ID CAN BE EITHER MXF, MG OR MXI.
- 10- APPLICATION SPEC AS-85513-001
- 11- OPTIONAL PICK&PLACE TAPE

LAST INSPECTION No: 14



REMOVED OPTION UPDATE DIM C EC NO: IPG2015-0192 DRWN: JKEARNS 2014/05/06 CHKD: APPR: STGRIFFIN 2014/08/29	DESCRIPTION REV	QUALITY SYMBOLS	GENERAL TOLERANCES (UNLESS SPECIFIED)	DIMENSION STYLE	SCALE	DESIGN UNITS	THIRD ANGLE PROJECTION																												
		$\nabla = 0$ $\nabla C = 0$	<table border="1"> <thead> <tr> <th></th> <th>mm</th> <th>INCH</th> </tr> </thead> <tbody> <tr> <td>4 PLACES</td> <td>± ---</td> <td>± ---</td> </tr> <tr> <td>3 PLACES</td> <td>± ---</td> <td>± ---</td> </tr> <tr> <td>2 PLACES</td> <td>± 0.15</td> <td>± ---</td> </tr> <tr> <td>1 PLACE</td> <td>± 0.25</td> <td>± ---</td> </tr> </tbody> </table>		mm	INCH	4 PLACES	± ---	± ---	3 PLACES	± ---	± ---	2 PLACES	± 0.15	± ---	1 PLACE	± 0.25	± ---	MM ONLY	5:1	METRIC														
			mm	INCH																															
		4 PLACES	± ---	± ---																															
3 PLACES	± ---	± ---																																	
2 PLACES	± 0.15	± ---																																	
1 PLACE	± 0.25	± ---																																	
<table border="1"> <thead> <tr> <th></th> <th>mm</th> <th>INCH</th> </tr> </thead> <tbody> <tr> <td>4 PLACES</td> <td>± ---</td> <td>± ---</td> </tr> <tr> <td>3 PLACES</td> <td>± ---</td> <td>± ---</td> </tr> <tr> <td>2 PLACES</td> <td>± 0.15</td> <td>± ---</td> </tr> <tr> <td>1 PLACE</td> <td>± 0.25</td> <td>± ---</td> </tr> </tbody> </table>		mm	INCH	4 PLACES	± ---	± ---	3 PLACES	± ---	± ---	2 PLACES	± 0.15	± ---	1 PLACE	± 0.25	± ---	<table border="1"> <thead> <tr> <th></th> <th>DATE</th> <th>TITLE</th> </tr> </thead> <tbody> <tr> <td>DRAWN BY</td> <td>2006/08/17</td> <td rowspan="4"> LOW PROFILE TOP ENTRY TRUE SMT JACK WITH P&P SURFACE (SHORT VERSION) MOLEX INCORPORATED </td> </tr> <tr> <td>CHECKED BY</td> <td>2006/08/17</td> </tr> <tr> <td>APPROVED BY</td> <td>2006/08/17</td> </tr> <tr> <td>EOMAHONY</td> <td>2006/08/17</td> </tr> </tbody> </table>		DATE	TITLE	DRAWN BY	2006/08/17	LOW PROFILE TOP ENTRY TRUE SMT JACK WITH P&P SURFACE (SHORT VERSION) MOLEX INCORPORATED	CHECKED BY	2006/08/17	APPROVED BY	2006/08/17	EOMAHONY	2006/08/17	<table border="1"> <thead> <tr> <th>SIZE</th> <th>DOCUMENT NO.</th> <th>SHEET NO.</th> </tr> </thead> <tbody> <tr> <td>A3</td> <td>SD-85513-010</td> <td>1 OF 2</td> </tr> </tbody> </table>	SIZE	DOCUMENT NO.	SHEET NO.	A3	SD-85513-010	1 OF 2
	mm	INCH																																	
4 PLACES	± ---	± ---																																	
3 PLACES	± ---	± ---																																	
2 PLACES	± 0.15	± ---																																	
1 PLACE	± 0.25	± ---																																	
	DATE	TITLE																																	
DRAWN BY	2006/08/17	LOW PROFILE TOP ENTRY TRUE SMT JACK WITH P&P SURFACE (SHORT VERSION) MOLEX INCORPORATED																																	
CHECKED BY	2006/08/17																																		
APPROVED BY	2006/08/17																																		
EOMAHONY	2006/08/17																																		
SIZE	DOCUMENT NO.	SHEET NO.																																	
A3	SD-85513-010	1 OF 2																																	
DRAFT WHERE APPLICABLE MUST REMAIN WITHIN DIMENSIONS		<table border="1"> <thead> <tr> <th>SIZE</th> <th>THIS DRAWING CONTAINS INFORMATION THAT IS PROPRIETARY TO MOLEX INCORPORATED AND SHOULD NOT BE USED WITHOUT WRITTEN PERMISSION</th> </tr> </thead> <tbody> <tr> <td>A3</td> <td></td> </tr> </tbody> </table>		SIZE	THIS DRAWING CONTAINS INFORMATION THAT IS PROPRIETARY TO MOLEX INCORPORATED AND SHOULD NOT BE USED WITHOUT WRITTEN PERMISSION	A3																													
SIZE	THIS DRAWING CONTAINS INFORMATION THAT IS PROPRIETARY TO MOLEX INCORPORATED AND SHOULD NOT BE USED WITHOUT WRITTEN PERMISSION																																		
A3																																			

RECOMMENDED PCB LAYOUTS
(SEE FROM COMPONENT SIDE)



PART No.	PICK&PLACE TAPE	HOUSING SIZE	LOADED CKTS	TOOLED	A	B	C	PACKAGING	PACKAGING SPEC.	
85513-5013	NO	8	8	YES	15.24	8.89	14.40	BLISTER ON REEL 13'	PK-85513-001 SHEET 3	
85513-5113	YES			YES						+2
85513-5001	NO			YES						-4
85513-5009	NO			YES						
85513-5109	YES	6	6	YES	13.21	6.35	12.40	BLISTER ON REEL 13'	PK-85513-001 SHEET 3	
85513-5014	NO			YES						+2
85513-5114	YES			YES						-4
85513-5002	NO			YES						
85513-5010	NO	6	4	YES	13.21	3.81	12.40	BLISTER ON REEL 15'	PK-85513-001 SHEET 1	
85513-5110	YES			YES						+2
85513-5015	NO			YES						-4
85513-5115	YES			YES						
85513-5003	NO	4	4	YES	11.18	3.81	10.40	BLISTER ON REEL 13'	PK-85513-001 SHEET 3	
85513-5011	NO			YES						+4
85513-5111	YES			YES						-2
85513-5016	NO			YES						
85513-5116	YES	4	4	YES	11.18	3.81	10.40	BLISTER ON REEL 15'	PK-85513-001 SHEET 1	
85513-5004	NO			YES						+4
85513-5012	NO			YES						-2
85513-5112	YES			YES						

SEE SHEET 1 EC NO: IPG2015-0192 DRWN: JKEARNS 2014/05/06 CHKD: APPR: STORIFFIN 2014/08/29	QUALITY SYMBOLS ▽=0 ◻=0	GENERAL TOLERANCES (UNLESS SPECIFIED) mm INCH 4 PLACES ± --- ± --- 3 PLACES ± --- ± --- 2 PLACES ± 0.15 ± --- 1 PLACE ± 0.25 ± --- ANGULAR ± 2 °	DIMENSION STYLE MM ONLY DRAWN BY: DBYRNES DATE: 2006/08/17 CHECKED BY: EOMAHONY DATE: 2006/08/17 APPROVED BY: EOMAHONY DATE: 2006/08/17	SCALE: 1:1 DESIGN UNITS: METRIC THIRD ANGLE PROJECTION	TITLE: LOW PROFILE TOP ENTRY TRUE SMT JACK WITH P&P SURFACE(SHORT VERSION) MOLEX INCORPORATED DOCUMENT NO: SD-85513-010 SHEET NO: 2 OF 2	
	DRAFT WHERE APPLICABLE MUST REMAIN WITHIN DIMENSIONS		SIZE: A3 THIS DRAWING CONTAINS INFORMATION THAT IS PROPRIETARY TO MOLEX INCORPORATED AND SHOULD NOT BE USED WITHOUT WRITTEN PERMISSION			