

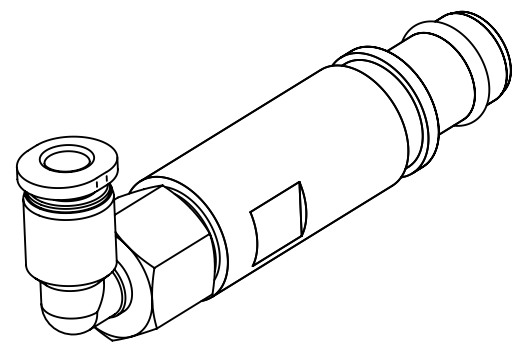
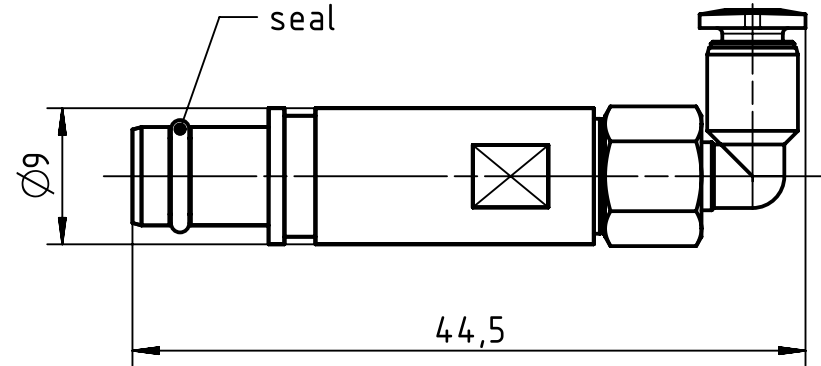
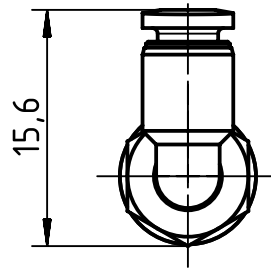
1 2 3 4 5 6


A

B

C

D



	All rights reserved Department EL PD - DE		Created by MOELLERLI	Inspected by BEISCHER	Standardisation RUETERA	Date 2018-05-16	State Final Release	
	HARTING Electric GmbH & Co. KG D-32339 Espelkamp		Title Pneum. contact metal OD 3mm male angled				Doc-Key / ECM-Nr. 100730970/UGD/002/B 500000133860	
			Type TB	Number 09 14 000 7353			Rev. B	Page 1/1