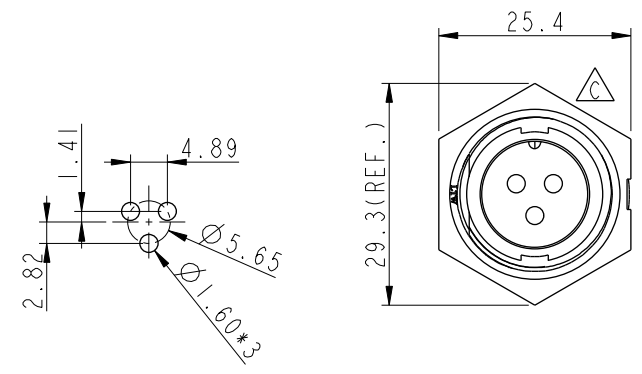


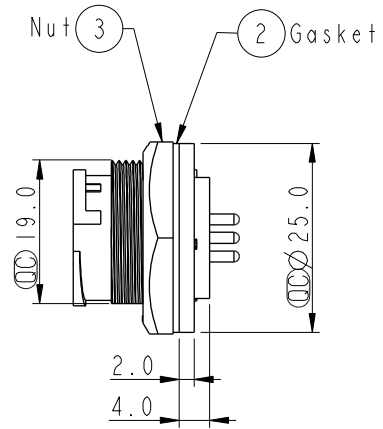
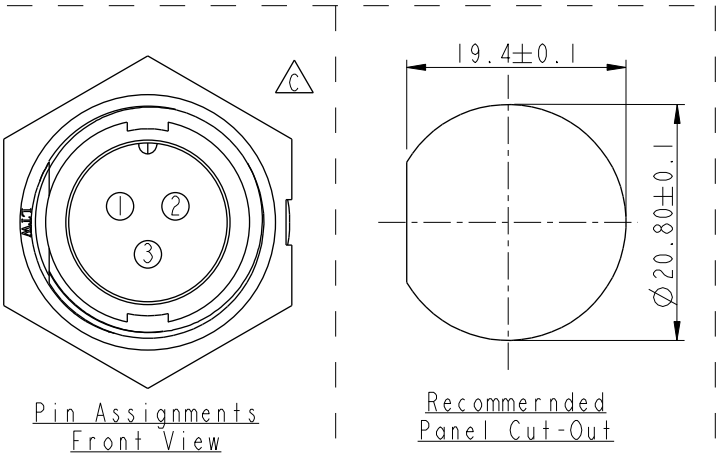
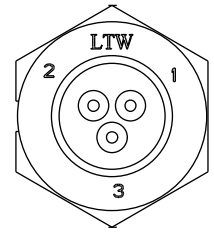
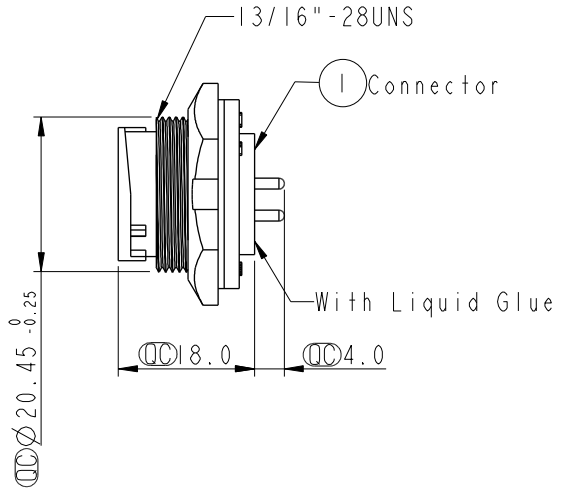
REV.	ECN NO.	DATE	SIGN	DESCRIPTION
B	LEN-8B0052	2008/10/03	Shin	Add Note
C	LEN-090205	2010/09/07	WuHaiYan	Delete Logo

ALTW  
CONFIDENTIAL  
2012-04-10  
R&D DEPT.

ALTW  
DCC. DEPT.  
CONFIDENTIAL  
2012-05-10  
ISSUED



3Pin Male Connector  
Female Pin PCB Layout



- Note:
- \*  $\varnothing$  Important Dimension.
  - \* Waterproof Rate: IP67
  - \* Housing: Nylon+GF, Black.
  - \* Male Pin: Copper Alloy, Gold Plated.
  - \* Nut: Nylon+GF, Black.
  - \* Gasket: EPDM, Black.
  - $\triangle B$  \* Use with waterproof cap or dust cap  
Panel Thickness Max: 3.0mm
  - $\triangle B$  \* Use without waterproof cap or dust cap  
Panel Thickness Max: 4.0mm

UNIT:mm		TITLE Lock Type Connector For Panel Mount Male Connector Male Pin (20A)		ITEM NO CC-03PMMP-LC7001		DRAWN BY SamChang		DATE 2012-04-10	
		TOLERANCE .X ±0.25 .XX ±0.1 .XXX ±0.05 ANGLES ±1°	SCALE 1:1	SIZE A4	SHEET 1 OF 1	DWG NO CC-03PMMP-LC7001	CHECKED BY Jeffrey	DATE 2012-05-10	APPROVED BY Lion
		REV. C	WC-REV. A.2	$\varnothing$ : Inspection item	CUSTOMER ALTW		APPROVED BY Lion		DATE 2012-05-10

**Amphenol LTW**  
安費諾亮泰企業股份有限公司

THIS DOCUMENT IS SUBJECT TO CHANGE WITHOUT NOTICE. IT IS CONFIDENTIAL AND A PROPERTY OF AMPHENOL LTW. DISCLOSURE TO THIRD PARTY HAS TO BE AUTHORIZED BY AMPHENOL LTW.