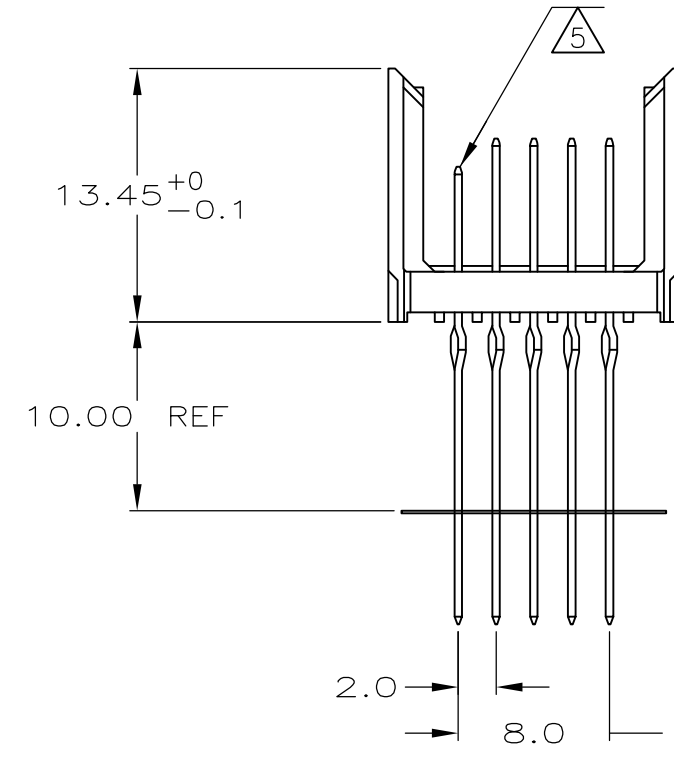
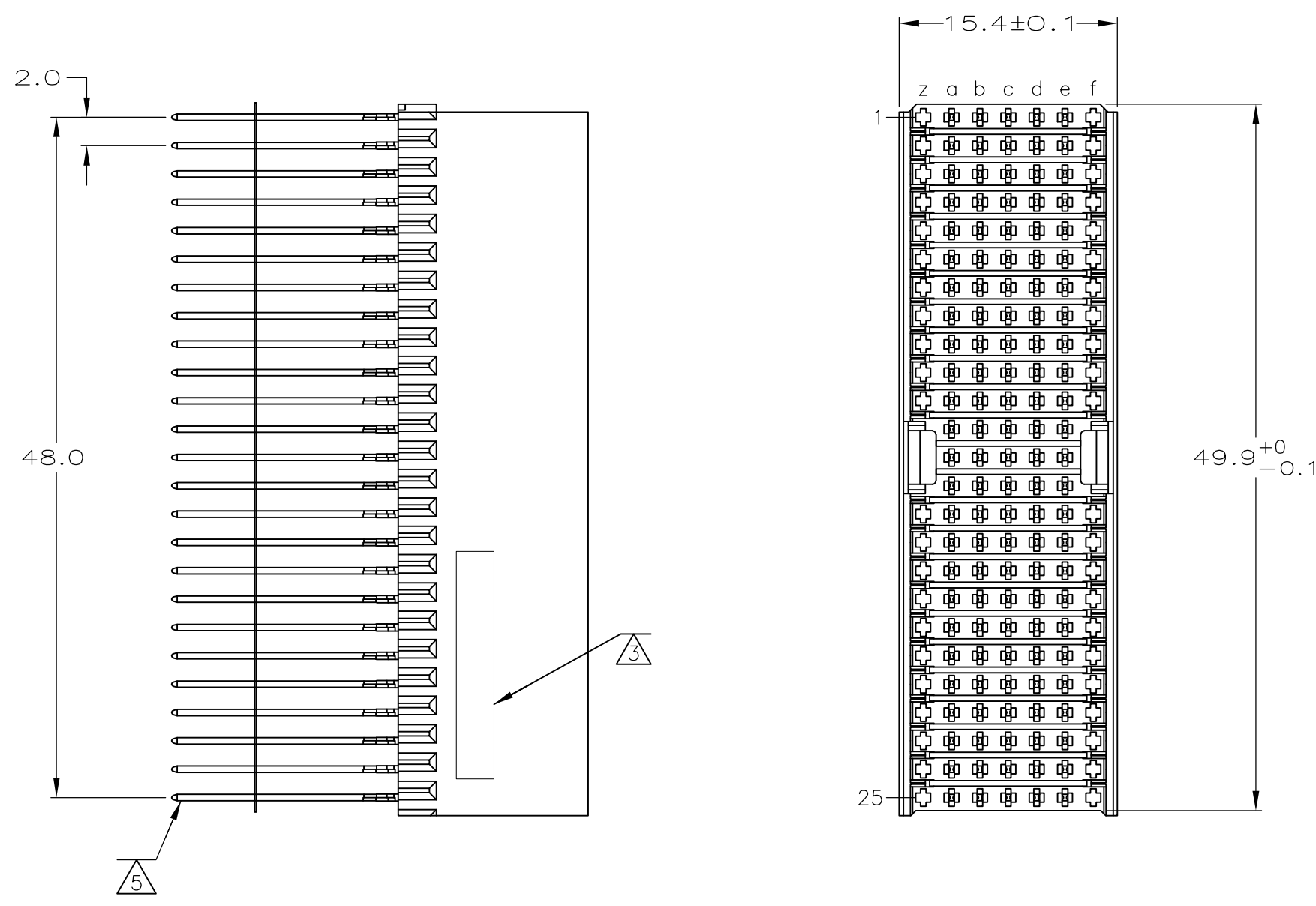


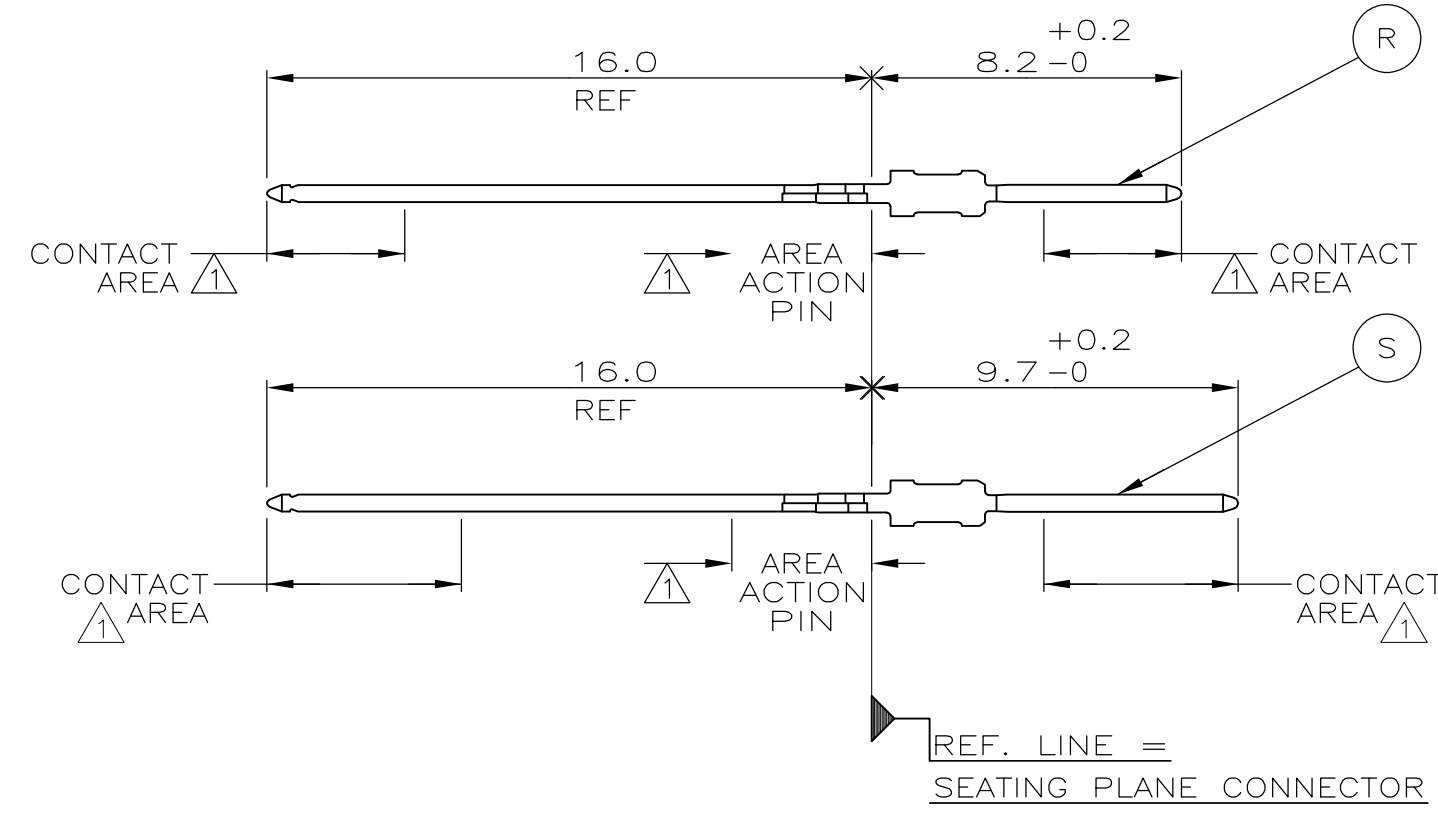
THIS DRAWING IS UNPUBLISHED. RELEASED FOR PUBLICATION
 © COPYRIGHT BY TYCO ELECTRONICS CORPORATION. ALL RIGHTS RESERVED.

LOC	DIST	REVISIONS			
P	LTR	DESCRIPTION	DATE	DWN	APVD
AD	47				
	A	REVISED PER ECO-08-010459	28APR08	DH	JE
	B	ECR-10-019054	15SEP10	DP	MQW

**CONNECTOR ASSEMBLY
 EXEMPLARY LOADED**
 SCALE 2.5:1



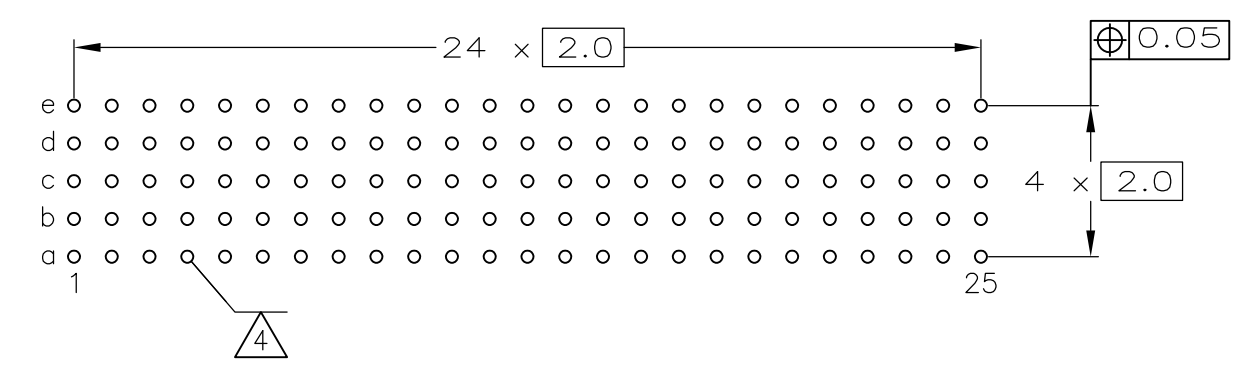
CONTACT DIMENSIONS



**CONTACT LAYOUT
 NTS**

	z	a	b	c	d	e	f
1	R	R	R	R	R		
2	R	R	R	R	R		
3	R	R	R	R	R		
4	R	R	R	R	R		
5	R	R	R	R	R		
6	R	R	R	R	R		
7	R	R	R	R	R		
8	R	R	R	R	R		
9	R	R	R	R	R		
10	R	R	R	R	R		
11	R	R	R	R	R		
12		R	R	R	R		
13		R	R	R	R		
14		R	R	R	R		
15	R	R	R	R	R		
16	R	R	R	R	R		
17	R	R	R	R	R		
18	R	R	R	R	R		
19	R	R	R	R	R		
20	R	R	R	R	R		
21	R	R	R	R	R		
22	R	R	R	R	R		
23	R	R	R	R	R		
24	R	R	R	R	R		
25	R	S	S	S	S		

**RECOMMENDED PCB-HOLE LAYOUT
 COMPONENT SIDE SHOWN**



**PLATED THRU HOLES PARAMETERS
 REFERENCE APPLICATION SPECIFICATION**

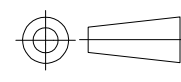
2 6 12	1-646783-9
2 5 12	646783-9
2 4	646783-4
2 3	646783-1
FINISH	PART NUMBER

THIS DRAWING IS A CONTROLLED DOCUMENT.		DWN DK_SCHRUM 08NOV00	Tyco Electronics Corporation Harrisburg, PA 17105-3608	
DIMENSIONS: mm		CHK LS_BRINER 08NOV00	NAME	
TOLERANCES UNLESS OTHERWISE SPECIFIED:		APVD LS_BRINER 08NOV00	PRODUCT SPEC	
0-PLG ±		108-19082		
1-PLG ± 0.1		APPLICATION SPEC		
2-PLG ±		114-19029		
3-PLG ±		WEIGHT -		
4-PLG ±		SIZE A2 CAGE CODE 00779 C=646783		
ANGLES ±		DRAWING NO		
FINISH		RESTRICTED TO		
SEE TABLE		SCALE 5:1 SHEET 1 of 2 REV B		
MATERIAL 1		CUSTOMER DRAWING		

THIS DRAWING IS UNPUBLISHED. RELEASED FOR PUBLICATION
 © COPYRIGHT BY TYCO ELECTRONICS CORPORATION. ALL RIGHTS RESERVED.

LOC	DIST	REVISIONS					
		P	LTR	DESCRIPTION	DATE	DWN	APVD
AD	47	-	-	SEE SHEET 1	-	-	-

- 1 MATERIAL:
CONTACT: PHOSPHOR BRONZE.
HOUSING: GLASS-FILLED POLYESTER.
- 2 GENERAL PLATING SPECIFICATION: UNDERPLATING
(ENTIRE CONTACT): 1.3µm MIN NICKEL AND
ACTION PIN: 0.5µm MIN TIN/LEAD.
FOR PLATING OF MATING SURFACES SEE APPLICABLE
SPECIFICATION REFERENCE FOR EACH DASH NUMBER.
- 3 CONNECTOR MARKED WITH PART NUMBER AND DATE CODE.
ADDITIONAL CHARACTERS OR MARKINGS, AS WELL AS THE LOCATION OF
THE MARKINGS,
MAY BE ADDED FOR TRACEABILITY BASED UPON MANUFACTURERS
DISCRETION.
- 4 PLATED-THROUGH HOLES AT 2x2mm SQUARE GRID
PATTERN DEFINED BY CONTACT LAYOUT.
- 5 FOR ACTUAL PIN LOADING SEE "CONTACT LAYOUT".
- 6 CONFORMS TO ALL TESTING ACCORDING TO IEC 61076-4-101
PERFORMANCE LEVEL 2.
- 7 CONFORMS TO ALL TESTING ACCORDING TO IEC 61076-4-101
PERFORMANCE LEVEL 1.
- 8 CONNECTOR TESTED AND QUALIFIED AGAINST TELCORDIA GR-1217-CORE
QUALITY LEVEL 3,
CENTRAL OFFICE APPLICATIONS.
- 9 CONNECTOR TESTED AND QUALIFIED AGAINST TELCORDIA GR-1217-CORE
QUALITY LEVEL 3,
UNCONTROLLED ENVIROMENT APPLICATIONS.
- 10 FOR ACTUAL PIN DIMENSIONS SEE "CONTACT DIMENSIONS".
- 11 TO BE MEASURED AT BOTTOM OF SHROUD.
- 12 CONNECTOR LUBRICATED WITH BELCORE APPROVED LUBRICANT,
TECHNICAL REFERENCE: TR-NWT-001217 ISSUE 1, SEP 1992.

THIS DRAWING IS A CONTROLLED DOCUMENT.		DWN DK SCHRUM 08NOV00	Tyco Electronics Corporation Harrisburg, PA 17105-3608	
DIMENSIONS: mm		CHK LS BRINER 08NOV00	NAME PIN ASSEMBLY, Z-PACK 2mm HM TYPE A/B, 125 POSITION	
TOLERANCES UNLESS OTHERWISE SPECIFIED:		APVD LS BRINER 08NOV00	RESTRICTED TO -	
		PRODUCT SPEC 108-19082	SIZE A2	
0-PLC ± 1-PLC ±0.1 2-PLC ± 3-PLC ± 4-PLC ± ANGLES ±		APPLICATION SPEC 114-19029	CAGE CODE 00779	DRAWING NO C-646783
MATERIAL SEE SHEET 1	FINISH SEE SHEET 1	WEIGHT -	SCALE 5:1	SHEET 2 of 2
CUSTOMER DRAWING		REV B		

646783