

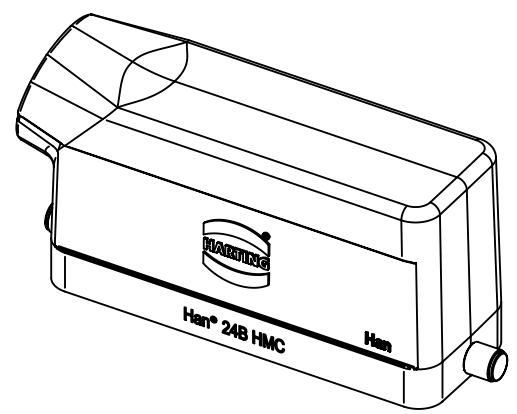
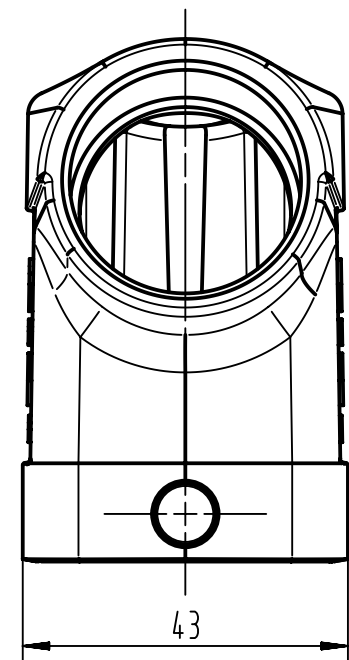
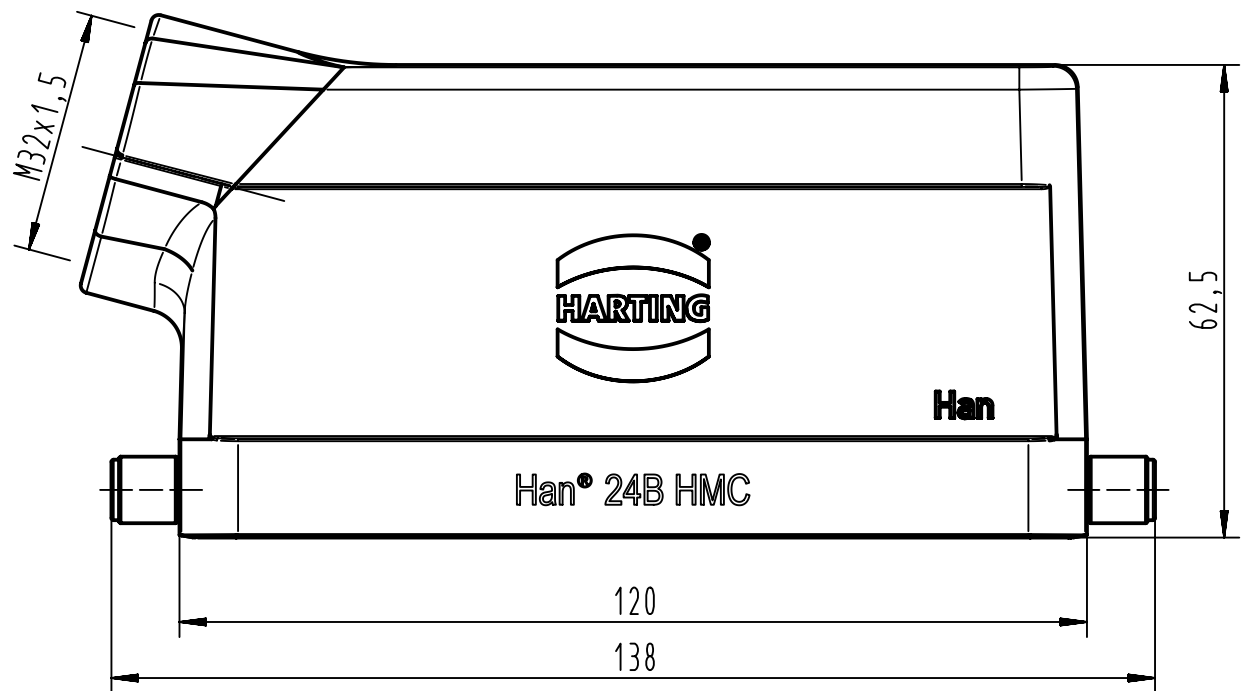
1 2 3 4 5 6

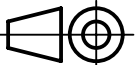

A

B

C

D



 All Dimensions in mm Original Size DIN A4	Scale 1:1		Free size tol.		Ref.	
	 All rights reserved Department EL PD - DE		Created by HOLLERT	Inspected by BERGHORN	Standardisation SCHMIDTM	Date 2013-03-21
HARTING Electric GmbH & Co. KG D-32339 Espelkamp		Title Han 24B-HMC-gs-R-M32			Doc-Key / ECM-Nr. 100533966/UGD/002/A	
		Type TB	Number 19 30 224 1542		Rev. A	Page 1/1