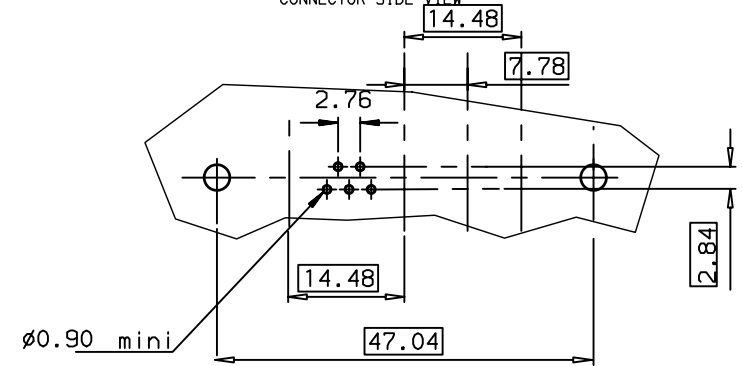


LAYOUT DIMENSIONS (after plating)
CONNECTOR SIDE VIEW



DB9W4S300A00LF
PART NUMBER

GENERAL CHARACTERISTICS AND ROHS INFORMATIONS:
SEE DRAWING C01-8639-0000

European Views

www.fciconnect.com			surface ISO 1302 ✓	tolerance std ISO 406 ISO 1101	projection mm	TOLERANCES UNLESS OTHERWISE SPECIFIED	
Dr	PESSON	2005/12/01	ANGULAR	LINEAR	0.X ±0.1	size	Scale
Eng	PESSON	2005/12/01	0.XX ±0.1	0.XXX ±0.1	A3	1.5	
Chr	LEGARE	2005/12/01	0.XX' ±2'		ECN		LS06-0095
Appr	LEGARE	2005/12/01	Product family		D-SUB	Spec ref -	
FCI title			SOCKET CONNECTOR WITH STRAIGHT CONTACTS			dwg no	Rev.
catalog no			-			C01-8639-2259	B
CUSTOMER						sheet 1 of 1	

rev	ecn no	dr	date
A	LS05-0106	MPE	2005/12/01
B	LS06-0095	MPE	2006/06/16
-	-	-	-
-	-	-	-
-	-	-	-
-	-	-	-



Copyright FCI.