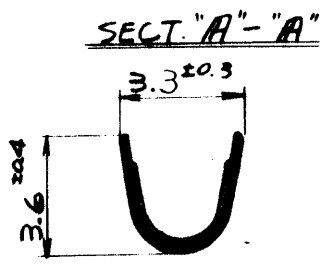
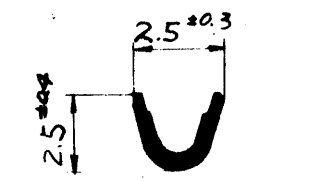
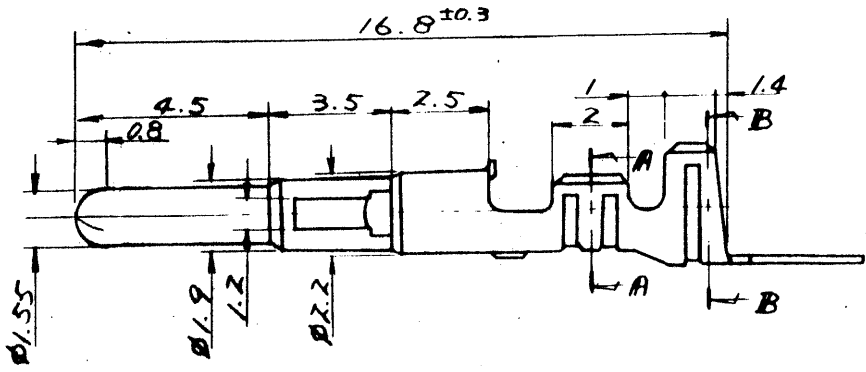
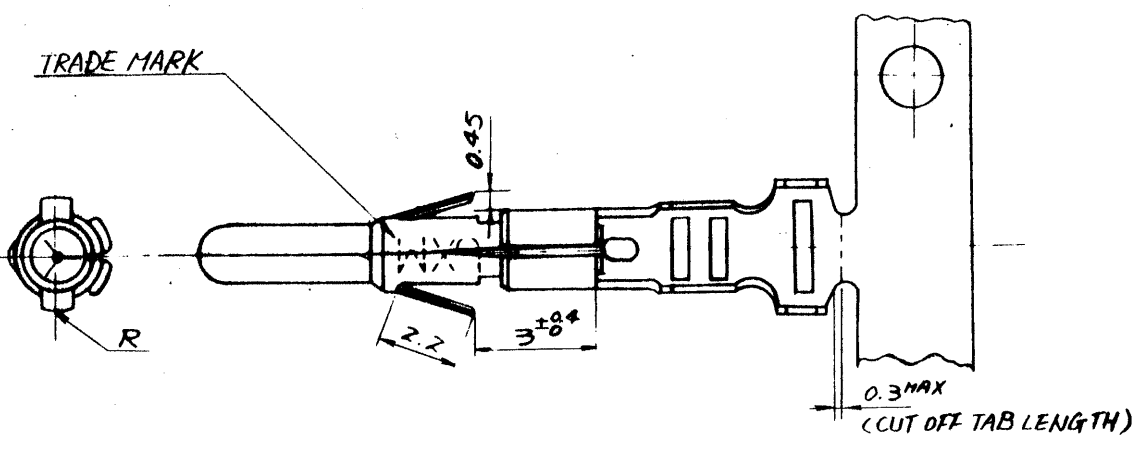


EDP NO. 08-70-\*\*\*\*\* SD-5006\*  
 ENG. NO. SD-5006\*



DIMENSIONS IN METRIC DO NOT SCALE DRAWING

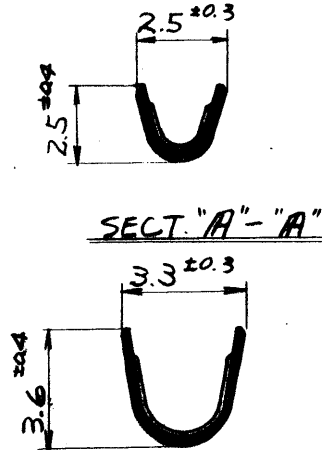
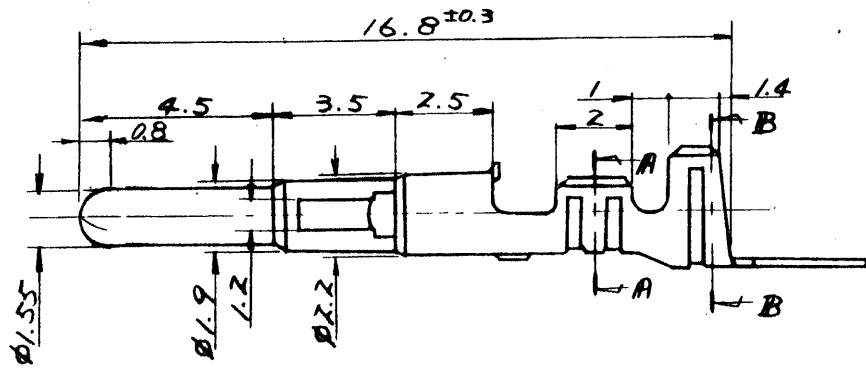
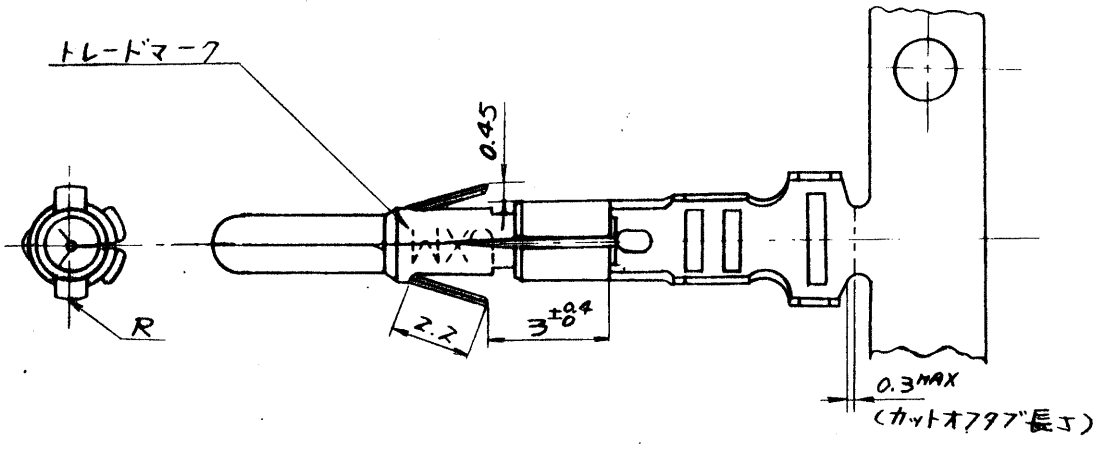
|       |       |        |
|-------|-------|--------|
| 角度    | ANGLE | ± 3°   |
| 30 以上 | OVER  | ± 0.3  |
| 10 以上 | 30 未満 | ± 0.25 |
| 10 未満 | UNDER | ± 0.2  |

公差表  
 GENERAL TOLERANCES

|       |         |            |         |
|-------|---------|------------|---------|
| LOOSE | GOLD    | 08-70-1014 | 5006 GL |
| CHAIN | PLATING | 08-70-1013 | G       |
| LOOSE | PRE-    | 08-70-0043 | TL      |
| CHAIN | TINNED  | 08-70-0002 | 5006T   |
| FORM  | FINISH  | EDP NO.    | ENG NO. |

|                                    |  |                                      |  |
|------------------------------------|--|--------------------------------------|--|
| 材料<br>MATERIAL                     |  | MOLEX-JAPAN CO., LTD.<br>日本モレックス株式会社 |  |
| 7/3 BRASS, 0.2T                    |  | EDP NO.<br>08-70-*****               |  |
| 仕上<br>FINISH                       |  | SEE CHART                            |  |
| 適用電線規格<br>WIRE RANGE AWG #18 ~ #24 |  | ENG. NO.<br>SD-5006*                 |  |
| 線径外徑<br>INS. RANGE Ø(1.3) ~ 3      |  | REV<br>H                             |  |
| DRAWN BY<br>CHK'D BY               |  | TITLE 名称:<br>MINI FIT PIN            |  |
| APP'D<br>SCALE 4-1                 |  |                                      |  |
| REVISION RECORD                    |  |                                      |  |

EDP NO. 08-70-\*\*\*\*  
 ENG. NO. SD-5006\*



DEMENSIONS IN METRIC DO NOT SCALE DRAWING

|                         |        |
|-------------------------|--------|
| 角度 ANGLE                | ± 3°   |
| 30 以上 OVER              | ± 0.3  |
| 10 以上 30 未満 OVER UNDER  | ± 0.25 |
| 10 未満 UNDER             | ± 0.2  |
| 一般公差 GENERAL TOLERANCES |        |

|     |      |            |         |
|-----|------|------------|---------|
| バラ状 | 金メッキ | 08-70-1014 | 5006 GL |
| 連鎖状 | 金メッキ | 08-70-1013 | G       |
| バラ状 | 錫メッキ | 08-70-0043 | TL      |
| 連鎖状 | 錫メッキ | 08-70-0002 | 5006T   |
| 形状  | 表面処理 | EDP NO.    | ENG NO. |

|                                 |                      |                                      |     |
|---------------------------------|----------------------|--------------------------------------|-----|
| 材料 MATERIAL                     |                      | MOLEX-JAPAN CO., LTD.<br>日本モレックス株式会社 |     |
| 7/3 黄銅 0.2t                     |                      | EDP NO.<br>08-70-****                |     |
| 仕上 FINISH                       |                      | ENG. NO.<br>SD-5006*                 |     |
| 通用電線範囲 WIRE RANGE AWG #18 ~ #24 |                      | REV<br>H                             |     |
| 被覆外径 INS. RANGE φ(1.3) ~ 3      |                      | TITLE 名称:<br>MINI FIT PIN            |     |
| DRAWN BY 17/160                 |                      | CHK'D BY                             |     |
| APP'D BY                        |                      | SCALE 4-1                            |     |
| 記号 LTR                          | 変更内容 REVISION RECORD | 日付 DATE                              | CHK |