

"FCI" Marking

**MATERIAL:**

- Hood: Black Thermoplastic UL94 HB
- Strain Relief Clamp: Black Thermoplastic
- Screws: Steel, Blackened

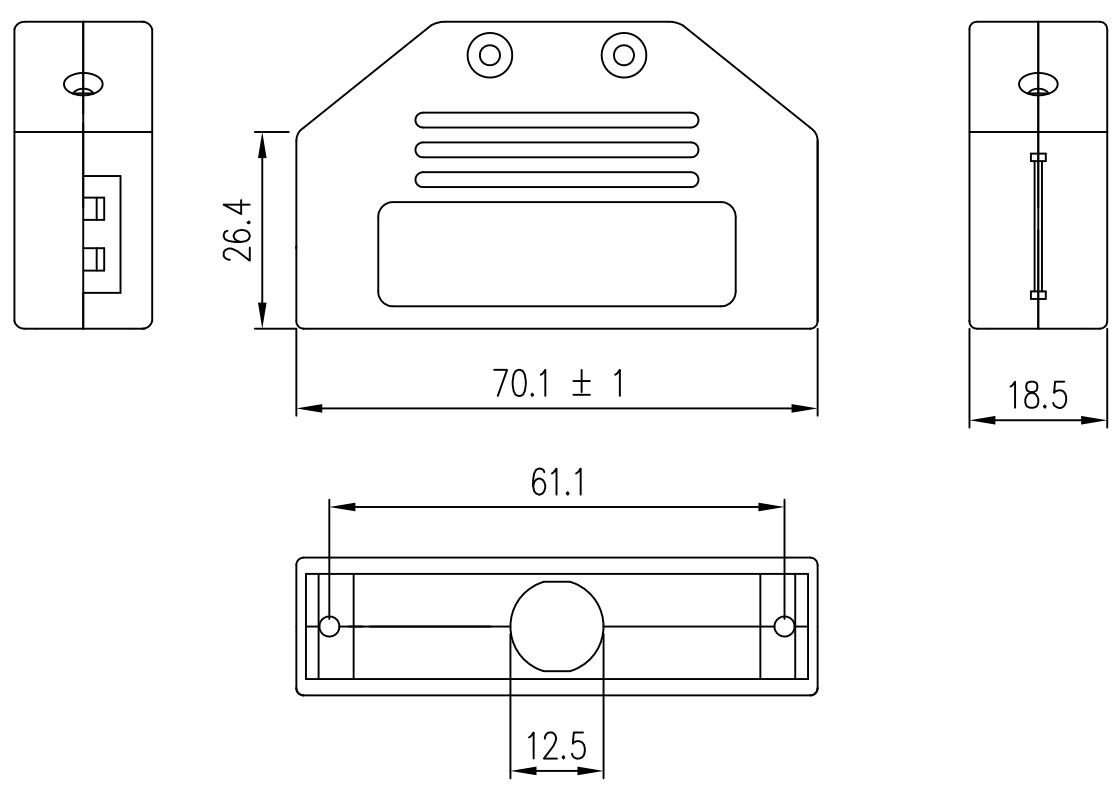
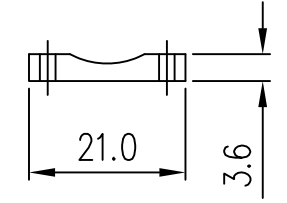
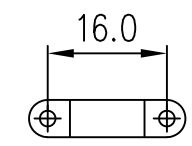
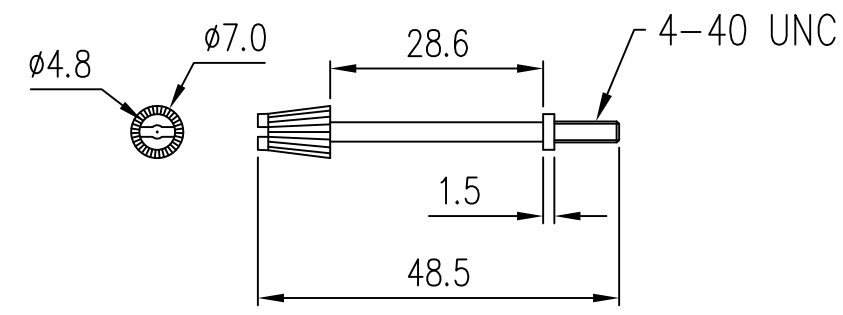
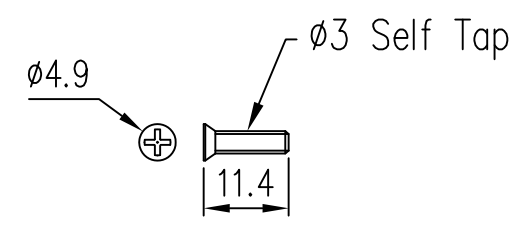
**TEMPERATURE RANGE:**

- Climatic category : -35°/ +85°C

**PACKAGING:**

- Box of 100 individual sets
- One set contains 1 pc each Hood & Strain Relief, 2 pcs each Clamp Screw & Jack Screw in unassembled condition

PART NUMBER	86303641CLF
-------------	-------------



**RoHS INFORMATIONS:**

- These products meet European union Directives and other country regulations as described in GS-47-0004
- Packaging spec: see GS-14-920

mat'l. code		surface ISO 1302 ✓		tolerance ISO 406 ISO 1101		projection		product family D-SUB		
ltr	ecn no	dr	date	tolerances unless otherwise specified		mm		title		
A	-	MP	2015/10/27	angles	linear	.0±.7		PLASTIC SNAP TOGETHER HOOD		
B	ELX-I-22496	MP	2015/11/13	0°±2°		.00±.35		D-SUB ACCESSORIES		
						.000±.15		scale 1:1		
		dr	MITHUN PAUL	2015/10/27	FCI		dwg no		sheet 1 of 1	size
		engr	MITHUN PAUL	2015/10/27			10136877		A3	
		chr	ALIAS BABU	2015/10/27			type		Product Customer Drawing	
		appd	BIJU K PAUL	2015/10/27						
sheet index	revision	B	1							