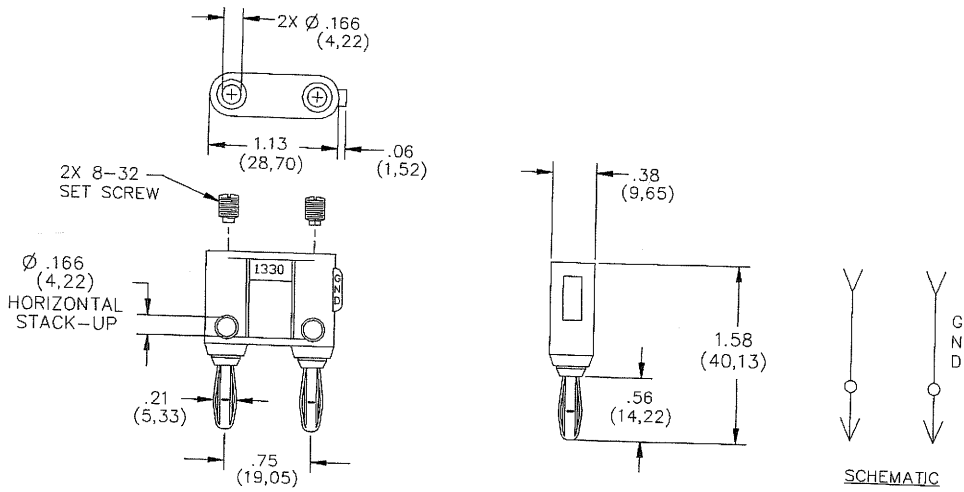


MODEL: BU-P1330
Double Banana Plug (Solderless)



MATERIALS:
 Body – Nylon
 Contacts – Nickel Plated Beryllium Copper

Standard Colors: -0 Black; -2 Red

RATING:
 15 Amps
 Hands free testing to 5000 VRMS Max.
 Temperature: -50°C to 105°C