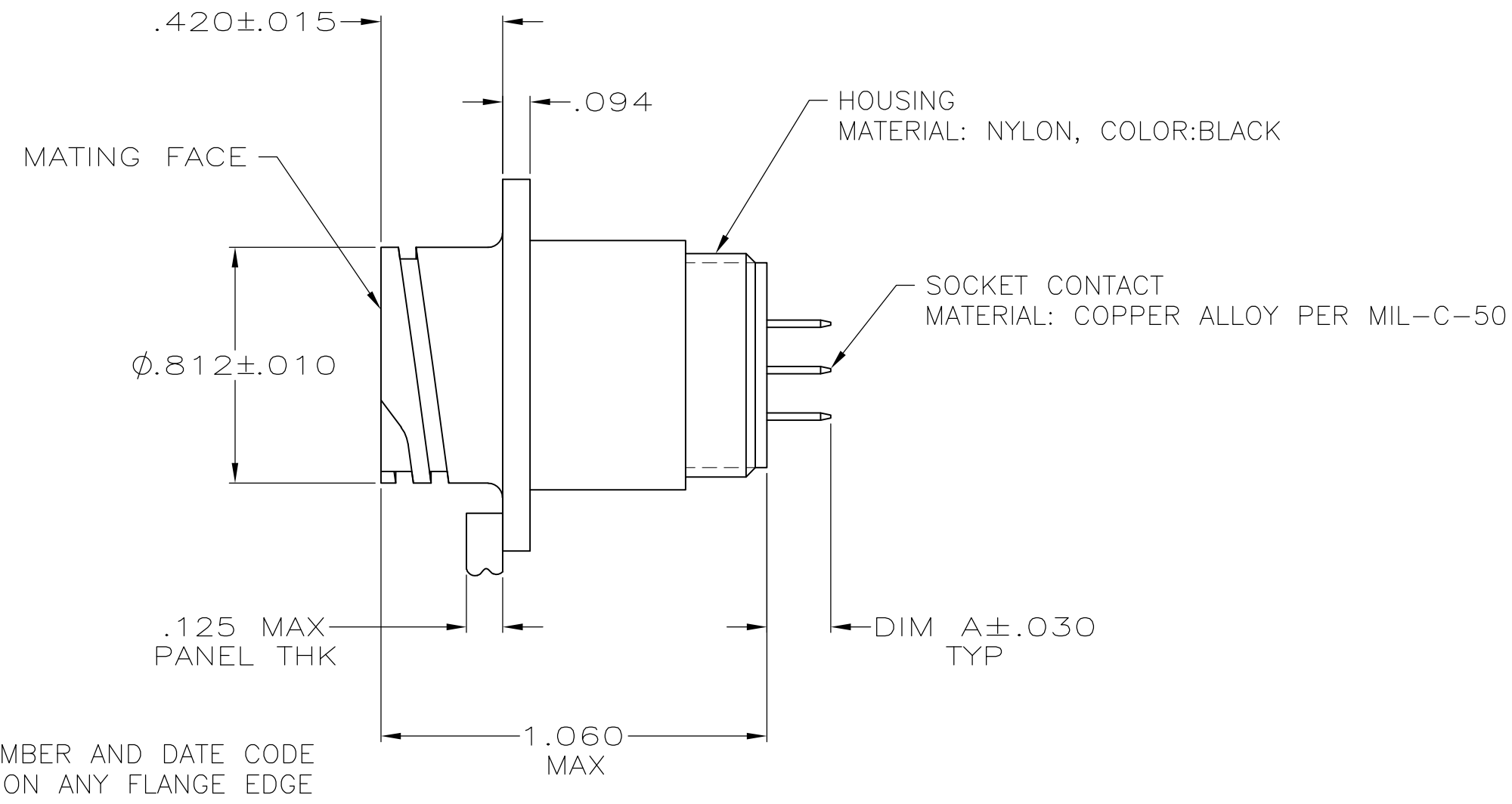
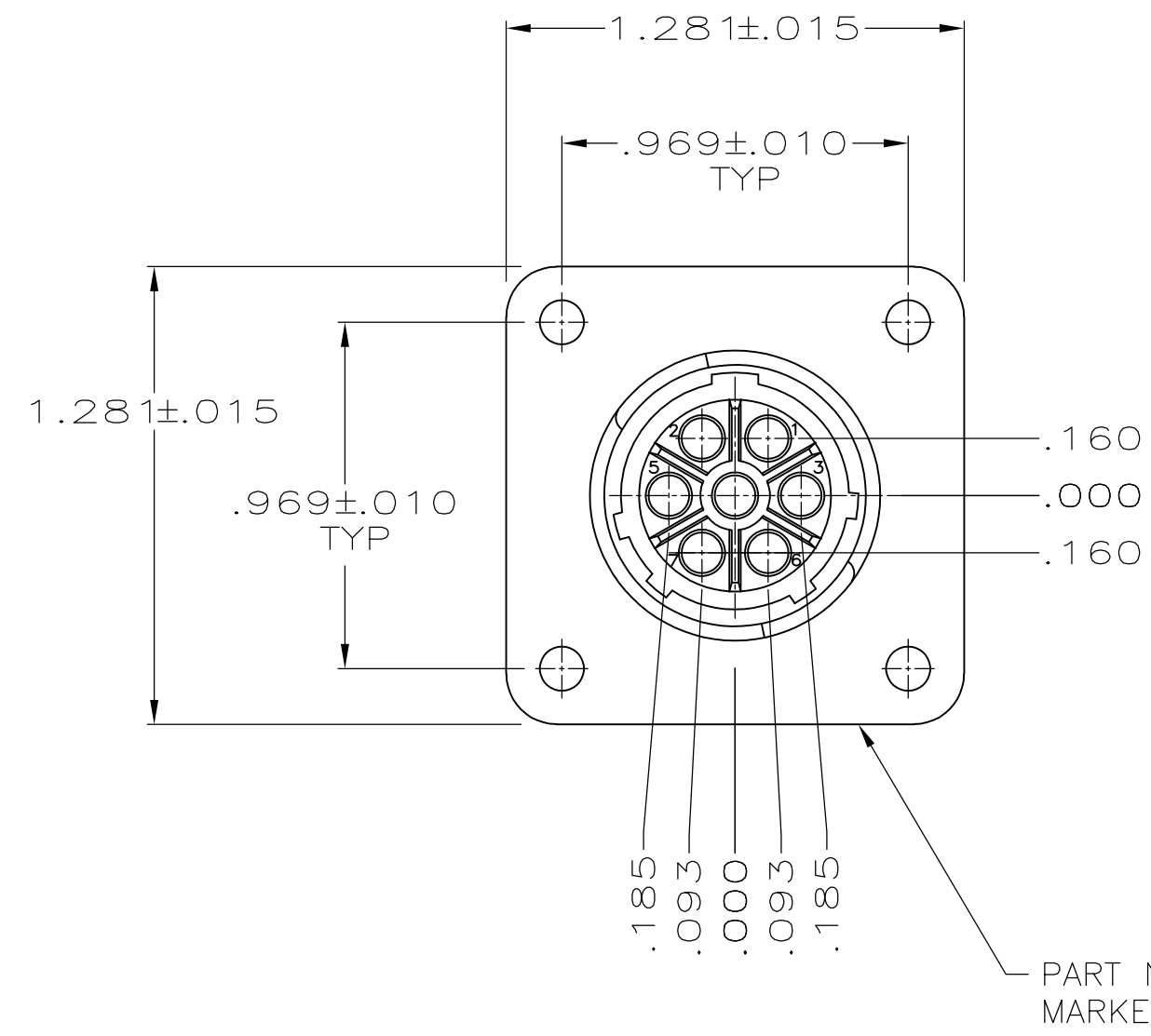


THIS DRAWING IS UNPUBLISHED. RELEASED FOR PUBLICATION
 © COPYRIGHT - By - ALL RIGHTS RESERVED.

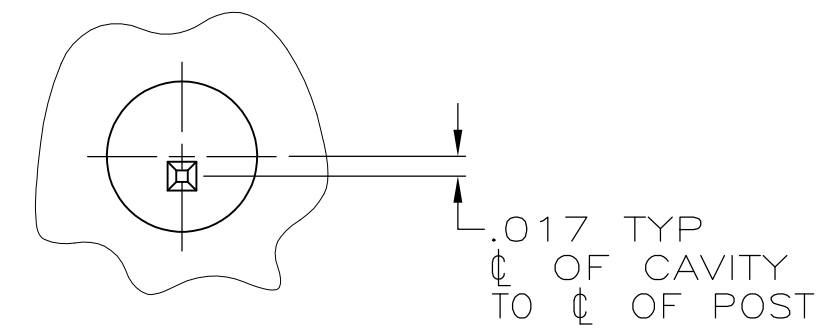
REVISIONS				
P	LTR	DESCRIPTION	DATE	APVD
D1		REVISED PER ECO-16-004800	08SEP2016	NK MZ

- 1 CONTACT BODY: 30 μIN MIN GOLD IN CONTACT AREA, 5 μIN MIN GOLD ON REMAINDER, OVER 30 μIN MIN NICKEL.
CONTACT POST: 100 μIN MIN TIN OVER 50 μIN MIN NICKEL.
- 2 CONTACT BODY: 30 μIN MIN GOLD IN CONTACT AREA, OVER 30 μIN MIN NICKEL.
CONTACT POST: 100 μIN MIN TIN-LEADED, OVER 50 μIN MIN NICKEL.



PART NUMBER AND DATE CODE MARKED ON ANY FLANGE EDGE

4-40 THREADED INSERTS QTY: 4 MATERIAL: BRASS



POST ARRANGEMENT ON REAR FACE
SCALE 6:1

1986377-2

	.557	1986377-2
OBSOLETE	.220	-1986377-1-
	DIM A	PART NUMBER

	YES	2	1986377-2
OBSOLETE	NO	1	-1986377-1-
	4-40 THREADED INSERTS	CONTACT FINISH	PART NUMBER

THIS DRAWING IS A CONTROLLED DOCUMENT.		DWN	S SCHLEGEL	2/27/08	TE TE Connectivity
DIMENSIONS: INCHES		CHK	S HEADER	2/27/08	
TOLERANCES UNLESS OTHERWISE SPECIFIED:		APVD	S HEADER	2/27/08	
0 PLC ± - 1 PLC ± - 2 PLC ± 0.13 [.005] 3 PLC ± - 4 PLC ± - ANGLES ± -		PRODUCT SPEC	NAME		
MATERIAL SEE CALLOUTS		FINISH	-		RECEPTACLE ASSY, POSTED, REV SEX, SERIES 1, SIZE 13-7, CPC
		WEIGHT	A2 00779		RESTRICTED TO
		CUSTOMER DRAWING	SCALE	2:1	SHEET 1 of 1
					REV D1

1986377