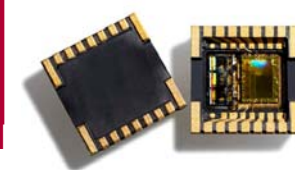


# Data Sheet



## SCA3000-E02 3-AXIS ULTRA LOW POWER ACCELEROMETER WITH DIGITAL I<sup>2</sup>C INTERFACE

### Features

- 2.35 V – 3.6 V supply voltage, 1.7 V - 3.6 V digital I/O voltage
- ±3 g measurement range
- I<sup>2</sup>C digital interface: V2.1 compliant, 10-bit addressing, supports standard mode
- Selectable frequency response
- Ultra low current consumption (2.5 V, 200 μA typ)
- 64 samples/axis buffer memory for output acceleration data and advanced features enable significant power and resource savings at system level
- Interrupt signal triggered by motion and free fall
- Size 7x7x1.8 mm
- Proven capacitive 3D-MEMS technology
- High shock durability
- RoHS compliant / lead free soldering

### Applications

SCA3000-E02 is targeted to battery operated wrist and hand-held devices. Typical applications are but not limited

- Motion activated functions in mobile terminals and antitheft systems
- Gaming input devices
- Inclination sensing in digital inclinometers
- Tilt compensation in electronic compass
- Hard disk protection
- Pedometers and activity monitors

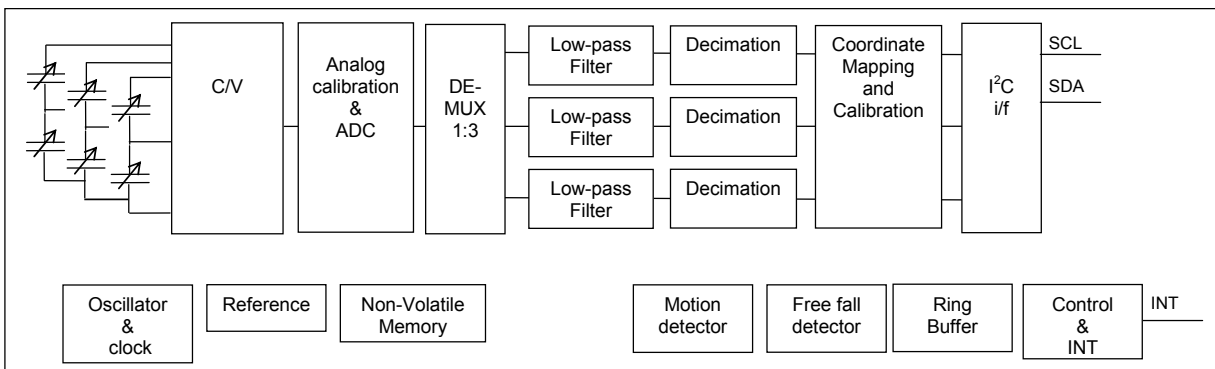


Figure 1 SCA3000-E02 Block Diagram

## Performance Characteristics <sup>1)</sup>

Parameter	Condition	Typical supply range 2.35 – 2.7 V			Extended supply range 2.7 – 3.6 V			Units
		Min	Typ <sup>2)</sup>	Max	Min	Typ <sup>2)</sup>	Max	
Analog and digital Vdd		2.35	2.5	2.7	-	3.3	-	V
Digital I/O Vdd	Vdd ≥ Digital I/O Vdd	1.7	1.8 / 2.5	2.7	-	3.3	-	V
Operating temperature **		-40	-	85	-40	-	85	°C
Current consumption *	Reset <sup>3)</sup>	-	<7	12	-	<9	-	µA
	Active	-	200	240	-	250	-	µA
	Motion Detection mode	-	170	210	-	210	-	µA
Acceleration range * <sup>4)</sup>	Nominal	-3	-	3	-	± 3	-	g
Offset calibration error *	Z-axis +1g position	-40	-	40	-	± 100	-	mg
Offset temperature error ** <sup>5)</sup>	-40 ... +85 °C	-3	±0.8	3	-	±0.8	-	mg/°C
Sensitivity * <sup>6)</sup>		-	1000	-	1000	-	-	Count/g
Sensitivity calibration error *		-1.5	-	+1.5	-	± 1	-	%
Sensitivity temperature error ** <sup>7)</sup>	-40 ... +85 °C	-	±0.01	-	-	±0.01	-	%/°C
Non-Linearity ** <sup>8)</sup>		-3	±1	3	-	1	-	% FS
Cross-Axis sensitivity ** <sup>9)</sup>		-	3	-	-	3	-	%
Bandwidth ** <sup>10)</sup>	Measurement mode	32	40	48	-	40	-	Hz
	Narrow band measurement mode	9	11	13	-	11	-	Hz
Noise ** <sup>11)</sup>	Measurement mode	-	9	18	-	9	-	mg RMS
	Narrow band measurement mode	-	5	10	-	5	-	mg RMS
Output data rate **	Measurement mode	100	125	150	-	130	-	Hz
	Narrow band measurement mode	50	63	75	-	63	-	Hz
Turn on time ** <sup>12)</sup>	Measurement mode	-	30	70	-	30	-	ms
	Narrow band measurement mode	-	200	400	-	200	-	ms
I <sup>2</sup> C clock rate **		-	-	100	-	-	100	kHz

\* 100% tested in production

\*\* Qualified during product validation

1) The product is factory calibrated at 2.5 V in room temperature.

2) Typical values are not guaranteed.

3) Includes the current through the internal 400 kΩ pull-up resistor connected to digital I/O Vdd.

4) Range defined as  $\sqrt{x^2+y^2+z^2} \leq 3g$ . The measuring range is tested on sensing element level. FS = 3g.

5) Offset temperature error = {Count(0g)-Offset} / Sensitivity [ g ]. Sensitivity = Calibrated sensitivity. Offset= Calibrated offset.

6) Sensitivity = {Count(+1g) - Count(-1g)}/2 [Count/g].

7) Sensitivity temperature error = {[Count(+1g)-Count(-1g)]/2 - Sensitivity} / Sensitivity x 100% [%]. Sensitivity = Calibrated sensitivity.

8) From straight line through sensitivity calibration (+1g, -1g) points.

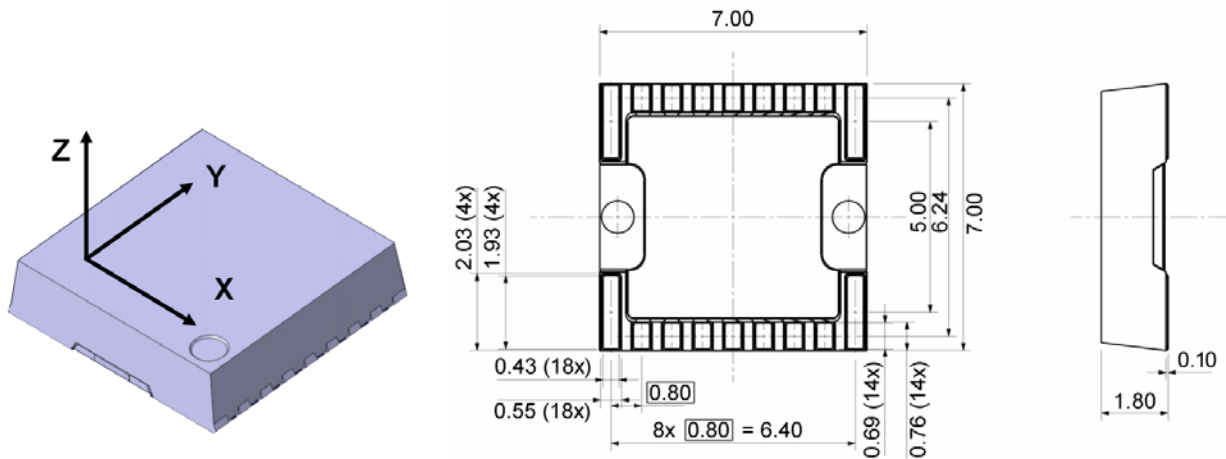
9) The cross-axis sensitivity determines how much acceleration, perpendicular to the measuring axis, couples to the output. The total cross-axis sensitivity is the geometric sum of the sensitivities of the two axes which are perpendicular to the measuring axis. The angular alignment error between X, Y and Z axis is included into the cross axis sensitivity.

10) Frequency responses according to Figure 3 and Figure 4.

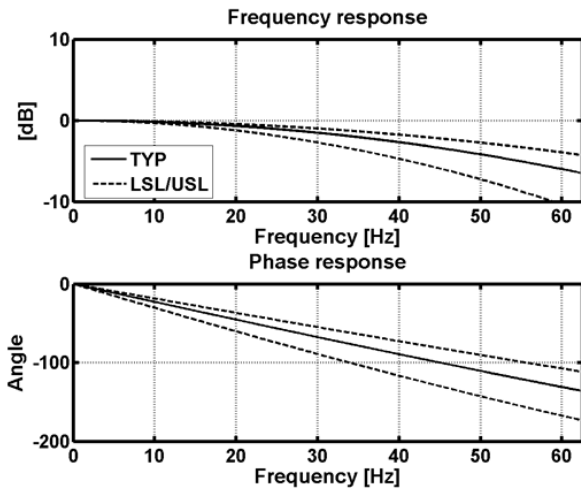
11) Average noise/axis over the measurement bandwidth defined as  $\sqrt{\frac{1}{3}(n_x^2+n_y^2+n_z^2)}$ , where  $n_x$ ,  $n_y$  and  $n_z$  are

the measured signal's standard deviation due to noise in x, y and z directions.

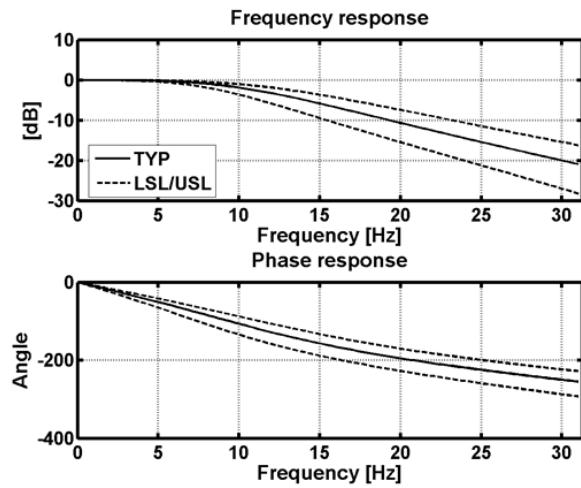
12) Settling error less than 1% of FS.



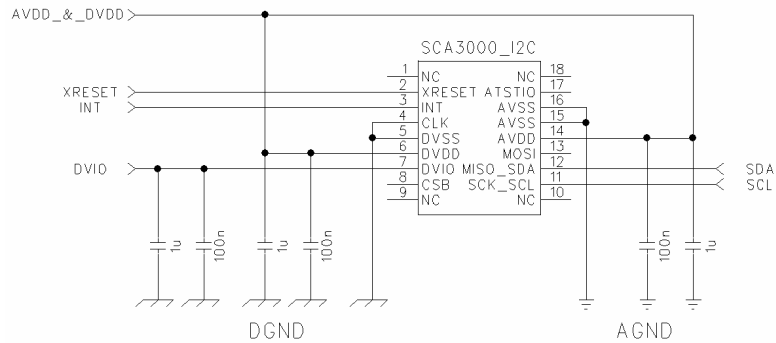
**Figure 2** Sensing directions and package dimensions in mm with  $\pm 50 \mu\text{m}$  tolerance.



**Figure 3** Frequency response of SCA3000-E02 in measurement mode



**Figure 4** Frequency response of SCA3000-E02 in bypass measurement mode



**Figure 5** Application schematic

Pin #	Name	Function
1	NC	Not connected
2	XRESET	External reset, active low
3	INT	Interrupt output
4	CLK	Digital ground
5	DVSS	Digital ground
6	DVDD	Digital supply
7	DVIO	Digital I/O supply
8	CSB	Not connected
9	NC	Not connected
10	NC	Not connected
11	SCK_SCL	I <sup>2</sup> C clock (SCL)
12	MIS0_SDA	I <sup>2</sup> C data (SDA)
13	MOSI	Not connected
14	AVDD	Analog supply
15	AVSS	Analog ground
16	AVSS	Analog ground
17	ATSTIO	Not connected
18	NC	Not connected

**Table 1** Pin descriptions

## Document Change Control

Rev.	Date	Change Description
A	21-Apr-06	1 <sup>st</sup> official release
A.01	13-Jun-06	Dimensions updated
A.02	31-Oct-07	Figure 2 updated
B	28-Aug-08	Performance characteristics updated