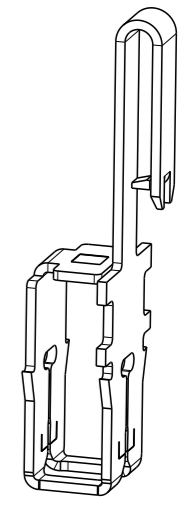



- 6 REELING PER FIG 2
Aufwickeln nach Bild 2
- 5 REELING PER FIG 1
Aufwickeln nach Bild 1
- 4 Materialdicke
0.32±0.012mm
STOCK THICKNESS
- 3 Schlitz geeignet fuer:
Cu Lackdraht, einzeln oder 2 Draehte gleichen Durchmessers
Ø0.265...0.40mm
Al Lackdraht, einzeln oder 2 Draehte gleichen Durchmessers
Ø0.32...0.45mm
SLOT ACCEPTS:
SINGLE OR DOUBLE Cu MAGNET WIRE
SAME DIAMETERS Ø0.265...0.40mm.
SINGLE OR DOUBLE AL MAGNET WIRE
SAME DIAMETERS Ø0.32...0.45mm
- 2 Kontaktkammer nach Zeichnung Nr.411-18517
CONTACT CAVITY ACCORDING
DRAWING No.411-18517
- 1 Kennziffer fuer Lackdrahtbereich (6)
IDENTIFICATION NO. FOR MAGNET WIRE RANGE (6)



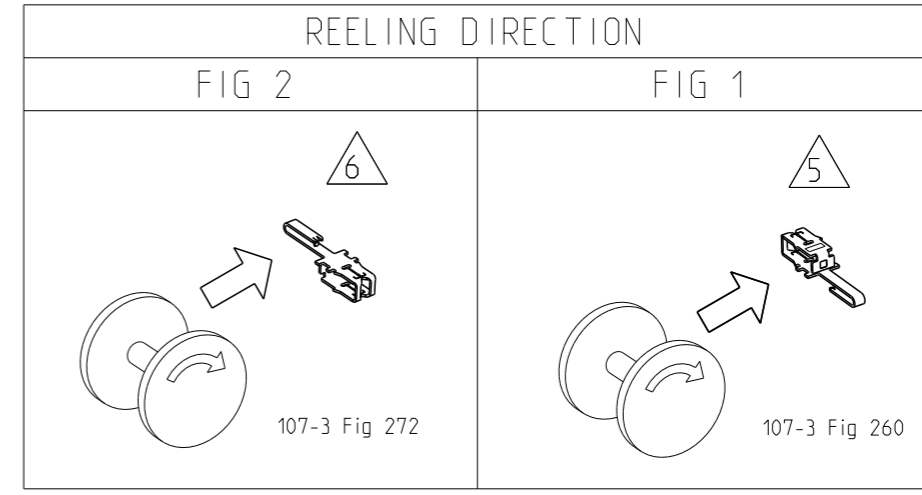
FEED 5.0±0.08

SEE SHEET 2 FOR TABLE

THIS DRAWING IS A CONTROLLED DOCUMENT. DIESES ZEICHNUNGSDOKUMENT WIRD DURCH AMP INCORPORATED KONTROLLIERT. AENDERUNGEN, DIE DEM TECHNISCHEN FORTSCHRITT DIENEN, SIND VORBEHALTEN. DEN JEWEILS LETZTUELTIGEN AENDERUNGSSTAND ERFAHREN SIE AUF ANFRAGE.		DWN H.ATZMANN 27SEP2000	 TE Connectivity															
DIMENSIONS: MASSEINHEITEN: MM		CHK H.PLOSSER 27SEP2000																
TOLERANCES UNLESS OTHERWISE SPECIFIED: ALLGEMEINTOLERANZEN		APVD T.KLENNER 27SEP2000	NAME MAG-MATE CONTACT RAST 5 D															
<table border="1"> <tr><td>0 PLC</td><td>±-</td></tr> <tr><td>1 PLC</td><td>±0.2</td></tr> <tr><td>2 PLC</td><td>±0.2</td></tr> <tr><td>3 PLC</td><td>±0.2</td></tr> <tr><td>4 PLC</td><td>±-</td></tr> <tr><td>ANGLES/W INKEL</td><td>±1°</td></tr> </table>		0 PLC	±-	1 PLC	±0.2	2 PLC	±0.2	3 PLC	±0.2	4 PLC	±-	ANGLES/W INKEL	±1°	PRODUCT SPEC PRODUKTSPEZ. -	SIZE A3	CAGE CODE 00779	DRAWING NO ZEICHNUNGS-NR. C=1394430	RESTRICTED TO NUR FUER -
0 PLC	±-																	
1 PLC	±0.2																	
2 PLC	±0.2																	
3 PLC	±0.2																	
4 PLC	±-																	
ANGLES/W INKEL	±1°																	
MATERIAL SEE TABLE		APPLICATION SPEC VERARBEITUNGSSPEZ. -	WEIGHT GEWICHT -	SCALE MASSSTAB 5:1	SHEET BLATT 1 OF VON 2	REV A5												
FINISH/OBERFLAECHE/FARBE SEE TABLE		Customer Drawing		/KUNDENZEICHNUNG														

THIS DRAWING IS UNPUBLISHED. RELEASED FOR PUBLICATION -
 © COPYRIGHT 2000 BY - ALL RIGHTS RESERVED.

LOC	DIST	REVISIONS					
		P	LTR	DESCRIPTION	DATE	DWN	APVD
A1	-		-	SEE SHEET 1	-	-	-



△6	TIN PLATED verzinkt	CuZn30	A	1-1394430-3
△6	PRETINNED vorverzinkt	CuZn30	A	1-1394430-2
△6	PRETINNED vorverzinkt	CuNiSi	A	1-1394430-1
△5	TIN PLATED verzinkt	CuZn30	A	0-1394430-3
△5	PRETINNED vorverzinkt	CuZn30	A	0-1394430-2
△5	PRETINNED vorverzinkt	CuNiSi	A	0-1394430-1
REMARKS Bemerkungen	SURFACE Oberflaeche	MATERIAL Material	REV.	PART NUMBER Bestellnummer

THIS DRAWING IS A CONTROLLED DOCUMENT.		DWN SENTHIL 24 JAN 2013	TE Connectivity													
DIMENSIONS: mm		CHK RAJENDRA 24 JAN 2013														
TOLERANCES UNLESS OTHERWISE SPECIFIED:		APVD T. KLENNER 24 JAN 2013														
<table border="0"> <tr> <td>0 PLC</td> <td>±-</td> </tr> <tr> <td>1 PLC</td> <td>±0.2</td> </tr> <tr> <td>2 PLC</td> <td>±0.2</td> </tr> <tr> <td>3 PLC</td> <td>±0.2</td> </tr> <tr> <td>4 PLC</td> <td>±-</td> </tr> <tr> <td>ANGLES</td> <td>±1°</td> </tr> </table>		0 PLC	±-	1 PLC	±0.2	2 PLC	±0.2	3 PLC	±0.2	4 PLC	±-	ANGLES	±1°	NAME MAG-MATE CONTACT RAST 5 D	RESTRICTED TO	
0 PLC	±-															
1 PLC	±0.2															
2 PLC	±0.2															
3 PLC	±0.2															
4 PLC	±-															
ANGLES	±1°															
MATERIAL SEE TABLE		PRODUCT SPEC -	SIZE A3	CAGE CODE 00779	DRAWING NO C-1394430											
FINISH SEE TABLE		APPLICATION SPEC -	SCALE 5:1													
		WEIGHT -	SHEET 2 OF 2													
		Customer Drawing	REV A5													