

NOTES:

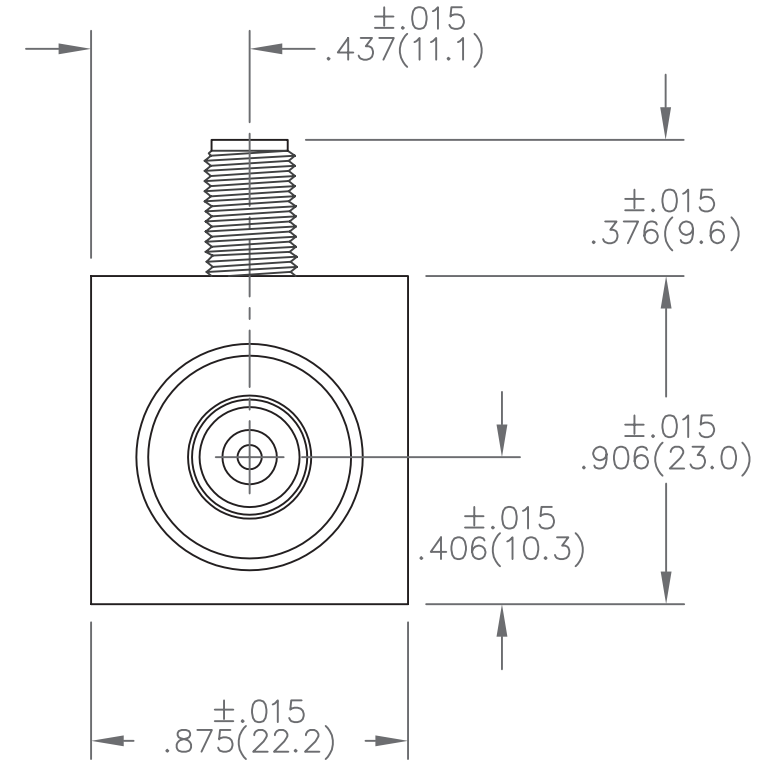
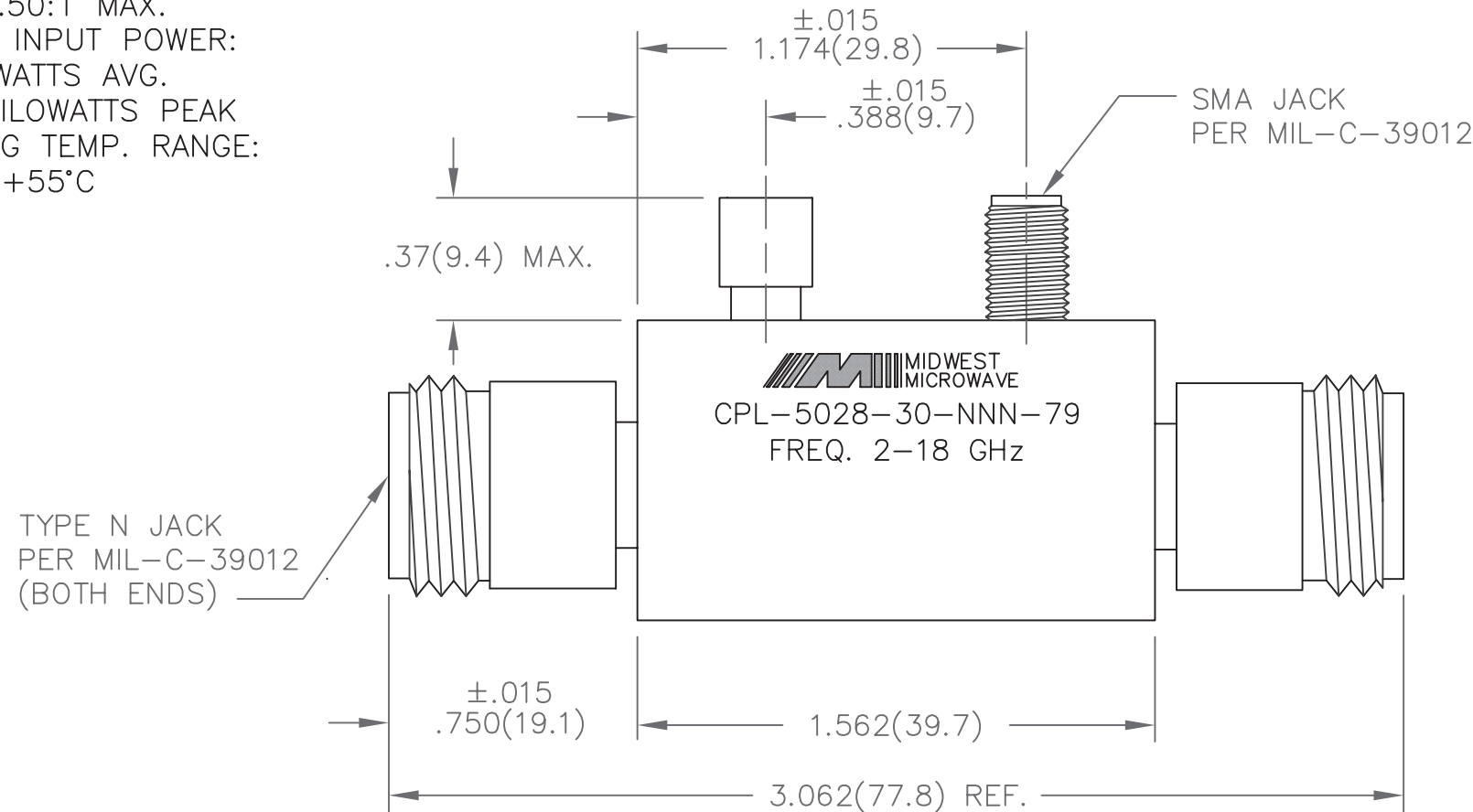
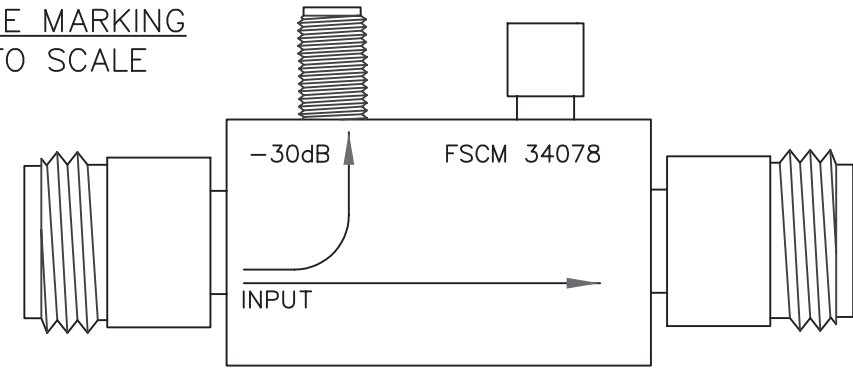
- 1.0 ELECTRICAL SPECIFICATIONS:
- 1.1 FREQUENCY RANGE: 2 to 18 GHz
- 1.2 INSERTION LOSS: 0.6dB MAX.
- 1.3 COUPLING:
  - 2 to 4 GHz: 30 ±5.0dB
  - 4 to 18 GHz: 30 ±2.0dB
- 1.4 DIRECTIVITY: 10dB MIN.
- 1.5 VSWR: 1.50:1 MAX.
- 1.6 MAXIMUM INPUT POWER:
  - 100 WATTS AVG.
  - 3.2 KILOWATTS PEAK
- 1.7 OPERATING TEMP. RANGE:
  - 0 to +55°C

2.0 FINISHING:

- 2.1 GREY PER MIL-E-15090 TYPE II, CLASS 2  
OVER MIL-C-5541 CLASS 3A  
MEETS MIL-F-14072  
MEETS MIL-E-5400
- 2.2 MARK UNIT AS SHOWN  
(REF.: SLK-01794-82-18)

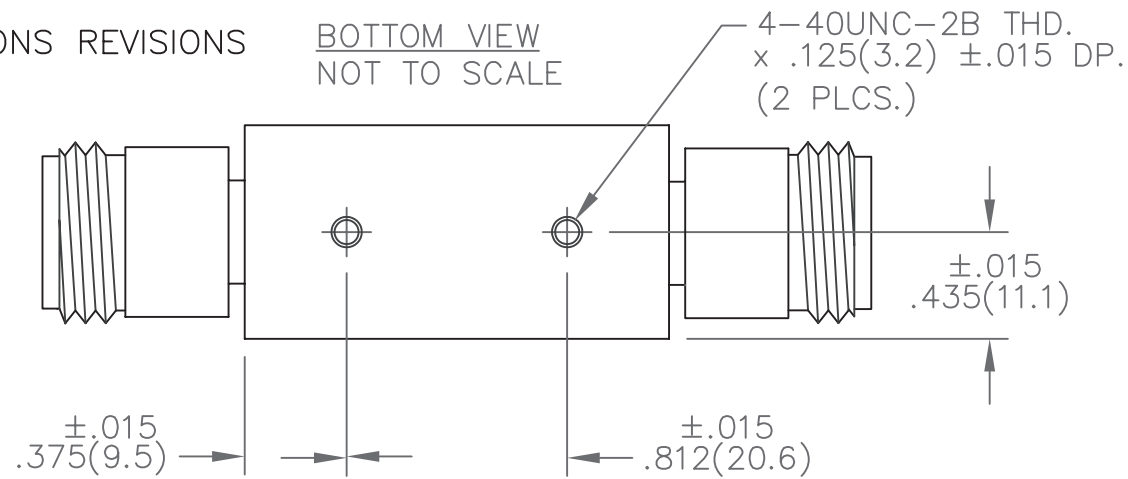
3.0 DIMENSIONS IN PARENTHESIS ARE IN MILLIMETERS.

BACKSIDE MARKING  
NOT TO SCALE



SEE HISTORY FILE FOR REVIONS REVISIONS

BOTTOM VIEW  
NOT TO SCALE



**NOTICE: The information contained in this drawing is proprietary and must not be used without the permission of Cinch Connectivity Solutions.**

UNLESS OTHERWISE NOTED DIMENSIONS ARE IN INCHES AND TOLERANCES ARE:

- 3 PLACE DECIMALS ±.005
- 2 PLACE DECIMALS ±.02
- FRACTIONS ±1/64
- PARALLELITY: T.I.R. \_\_\_\_\_
- FLATNESS: T.I.R. \_\_\_\_\_
- CONCENTRICITY: T.I.R. \_\_\_\_\_
- ANGLES AND PERPENDICULARITY: ±1°

CAGE CODE  
**34078** **MIDWEST MICROWAVE**



TITLE  
DIRECTIONAL COUPLER  
OUTLINE DRAWING

REV.	DESCRIPTION	DATE
I	RELEASED	8/16/86
G	ECN 16702	6/12/98
H	ECN 17871	03/15/01
J	ECN 19273	6/13/03
L	ECO 22810	11/10/10

DRAWN/DATE A.BEATTY 10/22/93	ENG./DATE P.GOODMAN 10/22/93
CHECKED/DATE M.HOLLMAN 10/22/93	APPROVED/DATE

DRAWING NUMBER CPL-5028-30-NNN-79-01	REV. L
SCALE: 2=1	SHEET 1 of 1

MODEL NUMBER  
CPL-5028-30-NNN-79