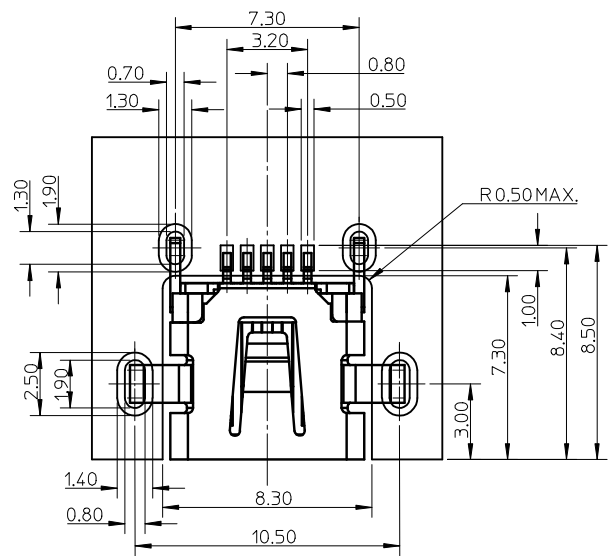
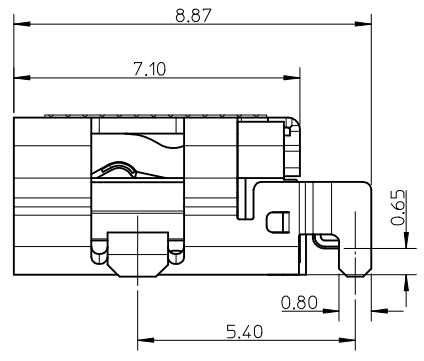
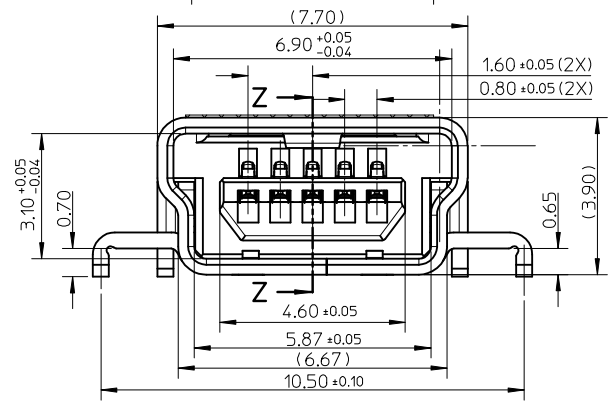
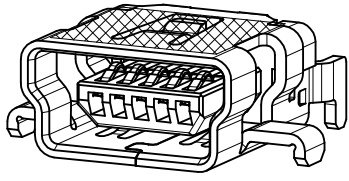
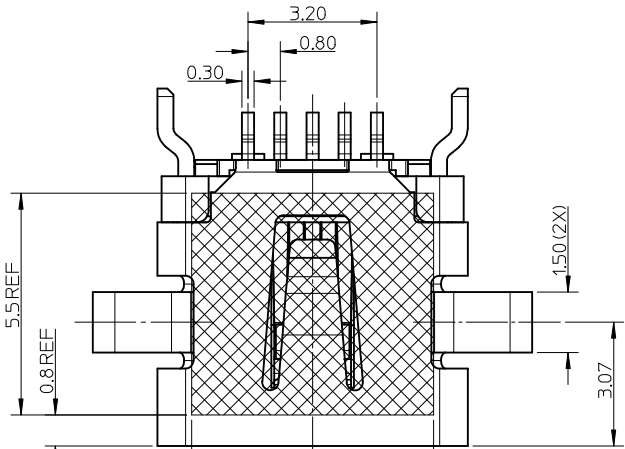
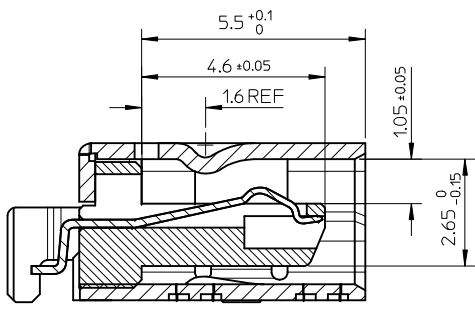


NOTE :

1. MATERIAL :
 HOUSING : LCP GLASS FILLED , BLACK,UL94V-0
 TERMINAL : COPPER ALLOY THICKNESS = 0.2 MM
 SHIELD CASE : STAINLESS STEEL THICKNESS = 0.4 MM
2. PLATING :
 TERMINAL:
 CONTACT AREA : GOLD 0.76 MICRON MINIMUM,
 SOLDER TAIL AREA : MATTE TIN 2.0 MICRON MINIMUM,
 UNDER PLATING : NICKEL 1.25 MICRON MINIMUM.
 SHIELD CASE :
 MATTE TIN 2.0 MICRON MINIMUM,
 UNDER PLATING : NICKEL 1.25 MICRON MINIMUM.
3. COPLANARITY: 0.08 mm MAXIMUM AMONG 5 SOLDER TAILS.
4. PRODUCT SPEC. : PS-67803-001,PACKING SPEC. : PK-105035-001
5. COMPLIANT TO RoHS DIRECTIVE 2002/95/EC
 AND ELV DIRECTIVE 2000/53/EC.



RECOMMEND PCB LAYOUT
 GENERAL TOLERANCE : ±0.05



SECTION Z-Z

REVISE EC NO: SHZ010-0105 DRWN: XJSONG CHKD: APPR: RZHANG 2009/09/18 2009/09/22 2009/10/14	QUALITY SYMBOLS ▽=0 ◻=0	GENERAL TOLERANCES (UNLESS SPECIFIED)		DIMENSION STYLE MM ONLY		SCALE 1:1	DESIGN UNITS METRIC	THIRD ANGLE PROJECTION			
		4 PLACES ± --- ± ---	3 PLACES ± --- ± ---	2 PLACES ± 0.25 ± ---	1 PLACE ± 0.25 ± ---	ANGULAR ± 3 °	DRAWN BY XJSONG	DATE 2007/12/07	TITLE MINI USB B RECEPTACLE MIDDLE MOUNT		
		DRAFT WHERE APPLICABLE MUST REMAIN WITHIN DIMENSIONS					CHECKED BY JTIAN	DATE 2007/12/07	MOLEX INCORPORATED		
							APPROVED BY HWWANG	DATE 2007/12/07	MATERIAL NO. 105035-0001	DOCUMENT NO. SD-105035-001	SHEET NO. 1 OF 1