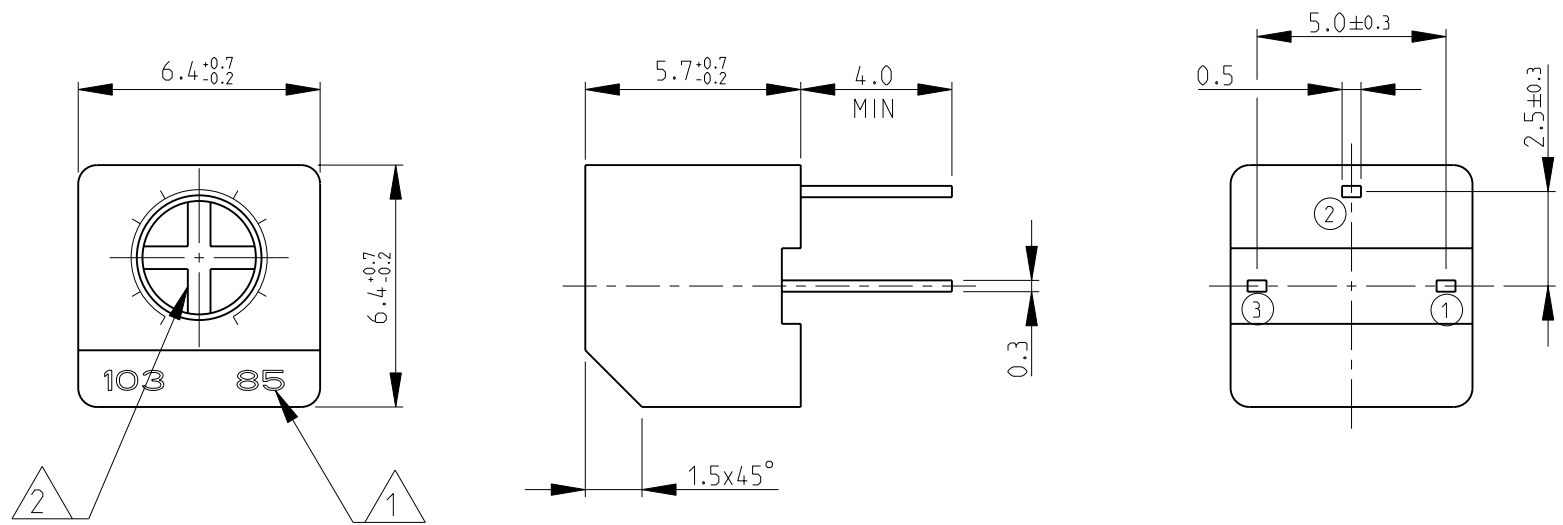


THIS DRAWING IS UNPUBLISHED. RELEASED FOR PUBLICATION 2008
 © COPYRIGHT 2008 BY TYCO ELECTRONICS CORPORATION. ALL RIGHTS RESERVED.

LOC	DIST	REVISIONS			
P	LTR	DESCRIPTION	DATE	DWN	APVD
E	B	A	NEW RELEASE	14-NOV-08	SM St.P

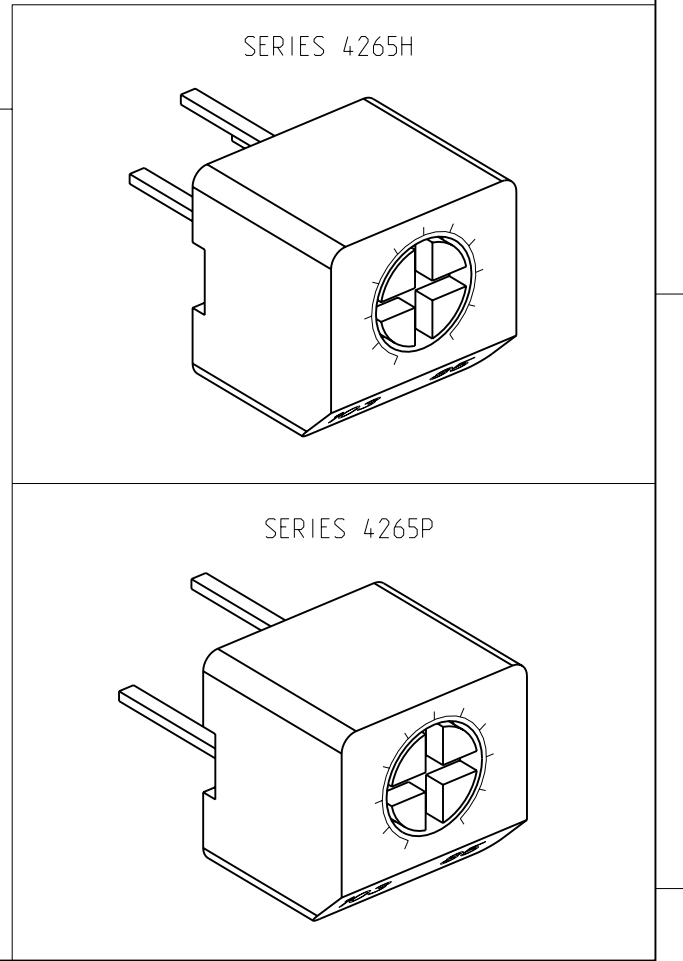
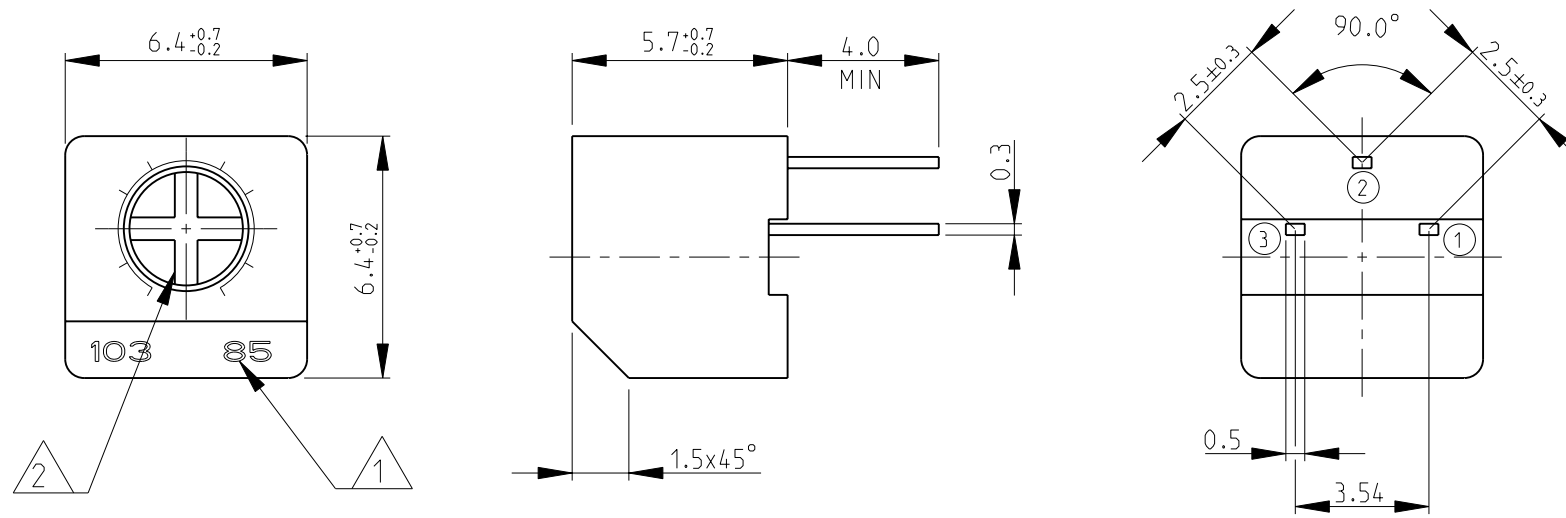
SERIES 4265P AS SHOWN



- 1 MARKINGS
- 2 ADJUSTMENT SCREW: LENGTH- 3.0mm, WIDTH- 0.6mm, DEPTH- 0.7mm
- 3 FOR FURTHER INFORMATION SEE DATA SHEET FOR 4265 SERIES-PROFESSIONAL TRIMMERS

RoHS Compliant

SERIES 4265H AS SHOWN



THIS DRAWING IS A CONTROLLED DOCUMENT FOR TYCO ELECTRONICS CORPORATION IT IS SUBJECT TO CHANGE AND THE CONTROLLING ENGINEERING ORGANIZATION SHOULD BE CONTACTED FOR THE LATEST REVISION.		DWN	SUBHASH.M	14-NOV-08	Tyco Electronics Corporation Dorcan, Swindon, SN3 5HH
DIMENSIONS:		CHK	PRAKASH.S	14-NOV-08	
TOLERANCES UNLESS OTHERWISE SPECIFIED:		APVD	STEPHEN.P	14-NOV-08	
0 PLC ±0.2 1 PLC ±0.1 2 PLC ± 3 PLC ± 4 PLC ± ANGLES ±5°		PRODUCT SPEC	NAME		
MATERIAL -		FINISH -	APPLICATION SPEC -		RESTRICTED TO -
-		WEIGHT -		SIZE	A3
-		CUSTOMER DRAWING		CAGE CODE	00779
-		SCALE		DRAWING NO	C=1623853
-		SCALE 5:1		SHEET 1 OF 1	
-		REV		A	